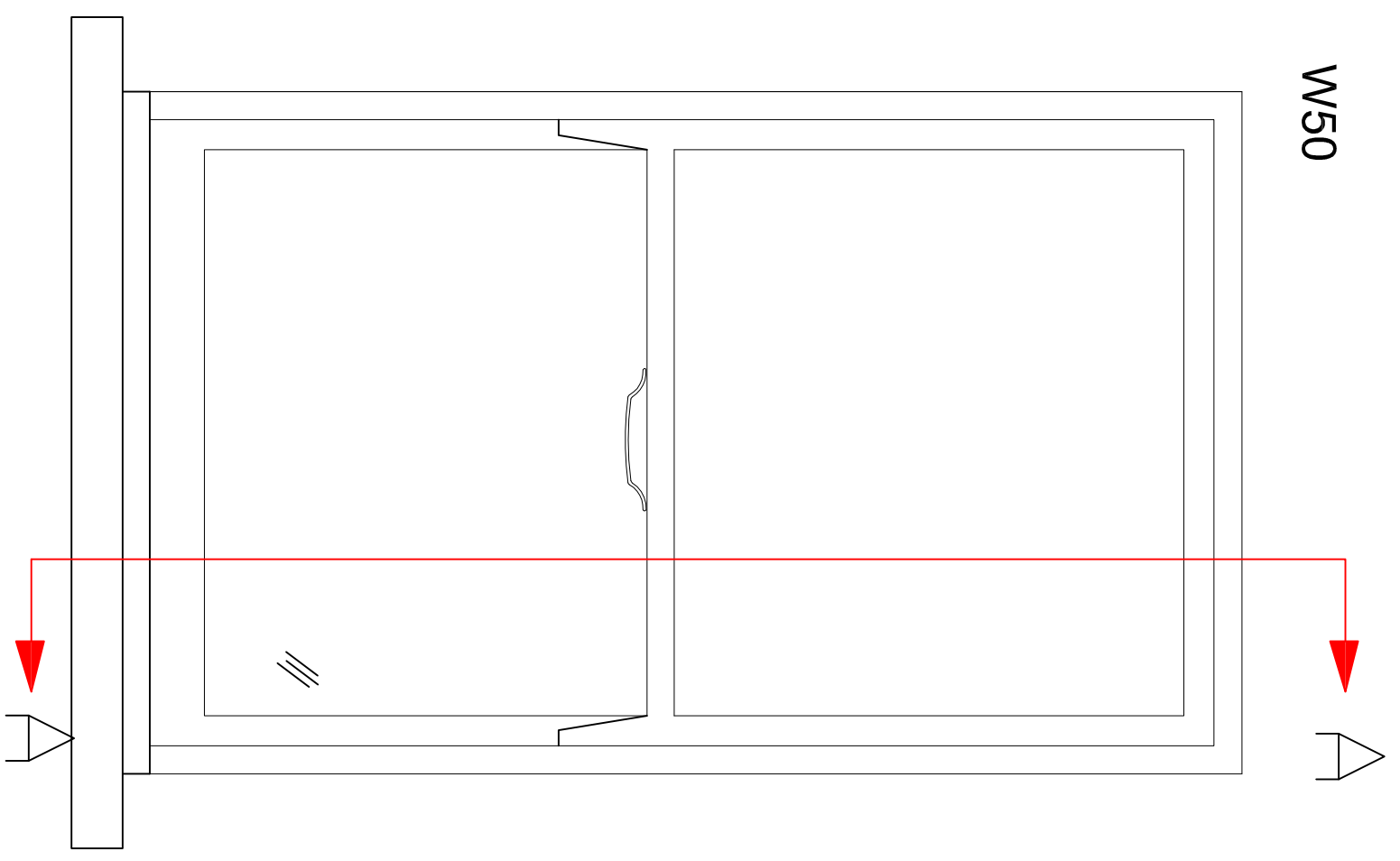
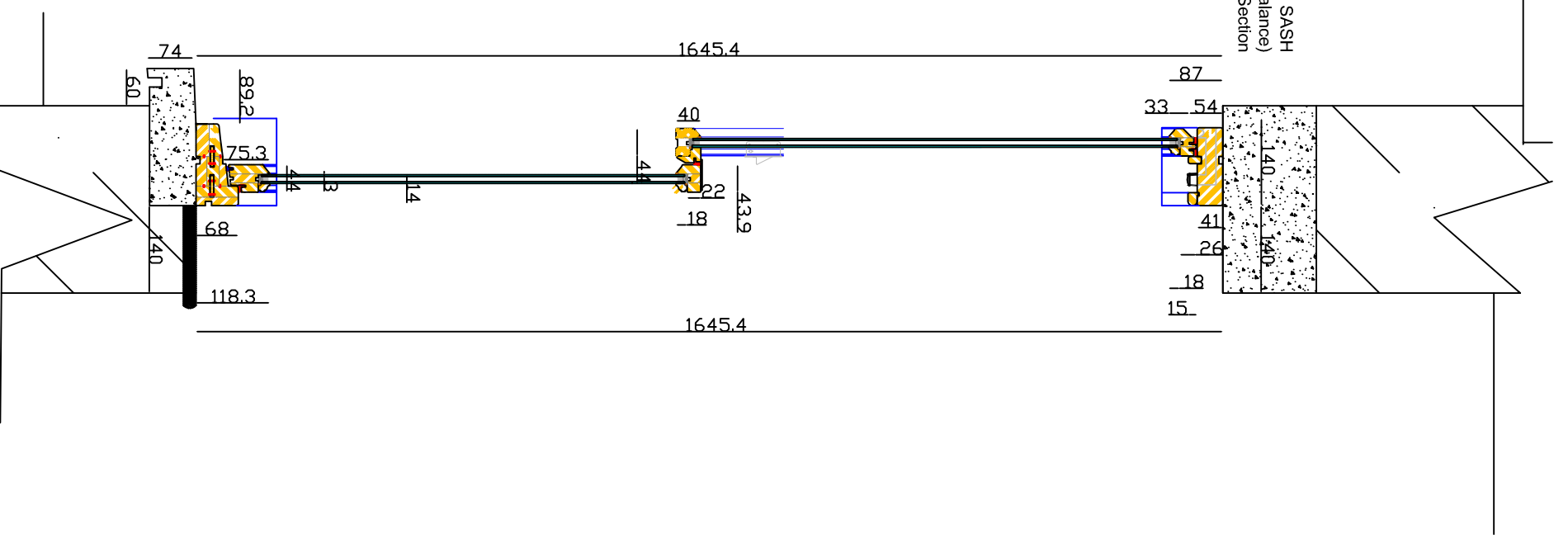


Notes:



HERITAGE SLIDING SASH
SLIM-LINE (sprung balance)
Head Section



Window Section A-A

WALKER MANAGEMENT

EMPLOYER'S AGENTS & PROJECT MANAGERS

LION HOUSE, 242 BALLARDS LANE
LONDON N12 0EP
TEL: 020 8446 5537

E-MAIL: WM@WALKERMAN.CO.UK

TITLE
WINDOW SECTION W50

PROJECT
49 Eton Avenue

CLIENT
GENESIS HOUSING / KIER

SCALE: 1:10/0/0/3	DRAWING NO.	REVISION
CAD FILE: 2953	2953/MM/06	
DATE: 21.04.17		
DRAWN BY: RBW		
CHECKED:		
PROJECT NO.		
2953		