

**Tree Planting Pit Detail within Soft Landscape**

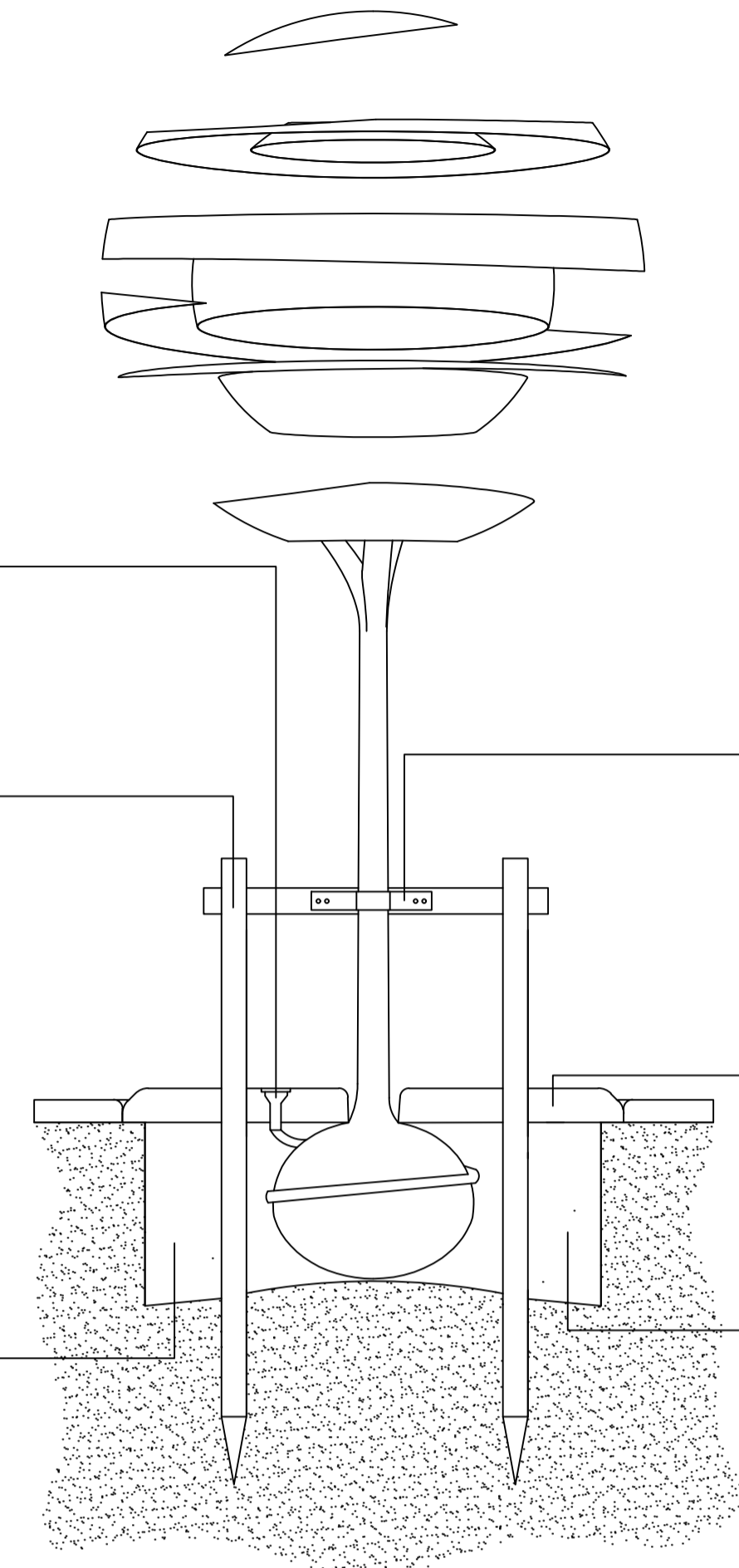
Root Rain Metro tree pit irrigation system

Pressure impregnated softwood stakes driven into ground with a minimum of 400mm below ground

The tree should be positioned in the hole so that the top of the rootball is level with the surrounding ground level

Backfilled material to be either originally excavated soil or imported soil to BS3882:2007. Topsoil depth to be 300mm with subsoil depth 600mm within tree pit

To be backfilled in layers of 300mm, each layer to be lightly firmed in with heel, to exclude large voids



Wire cage to be left on, and folded back/cut away around stem, if rootballed.

Rubber belting and spacer block attached with galvanised nails with tie height 1/3 stem height

Good quality mulch to be applied to a minimum of 75mm depth, and no more than 150mm, leaving the stem base clear and mulch free

Tree pit to be no deeper than rootball, 600mm larger than rootball on all sides, and should be square

All components as supplied from GreenBlue Urban or similar and approved

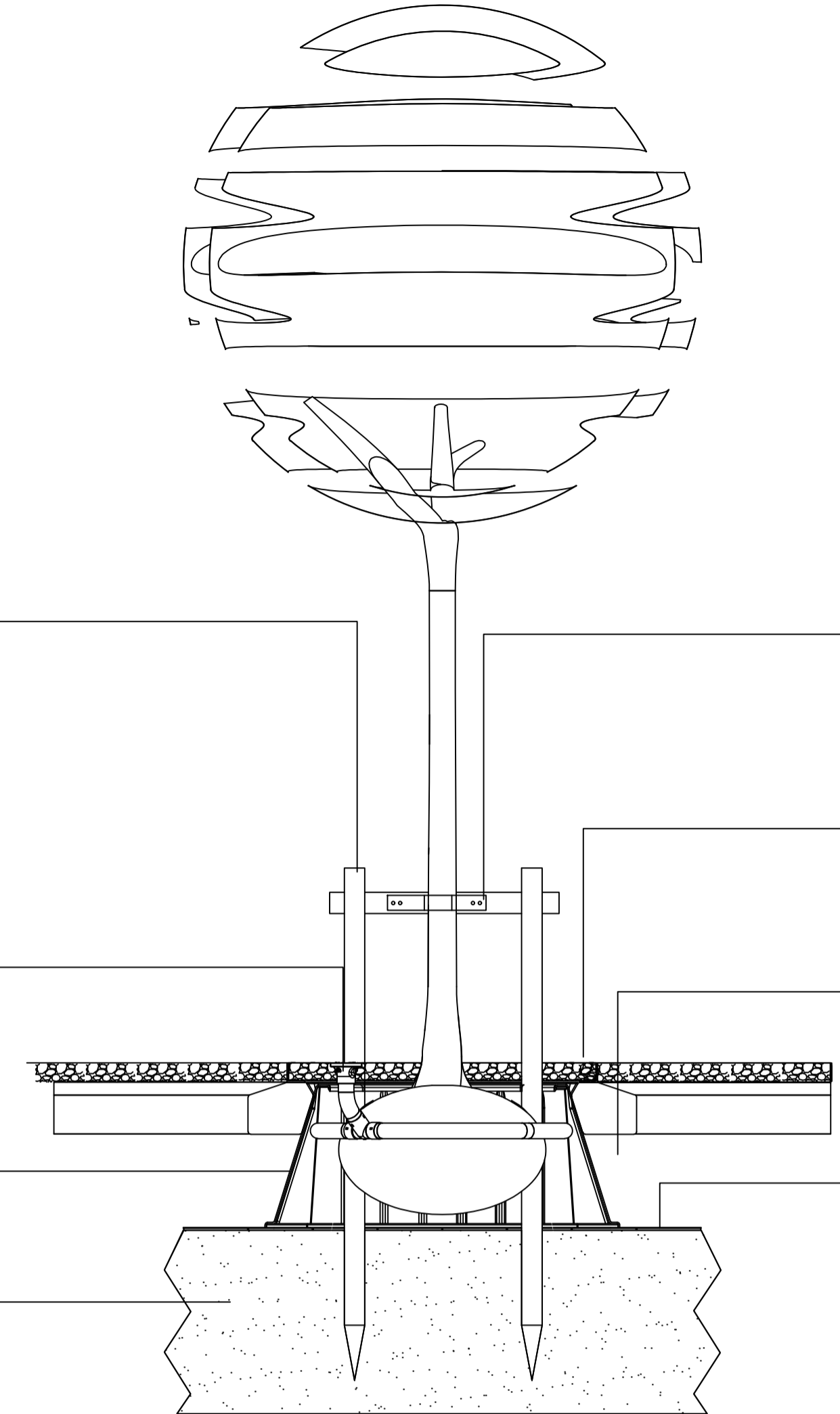
**Tree Planting Pit Detail within Breedon gravel**

Pressure impregnated softwood stakes driven into ground with a minimum of 400mm below ground

RRPREC-Gr1 RootRainstem Precinct irrigation system

RD1050 Root Director, medium, modular root barrier system

Amsterdam tree soil, or similar and approved



Rubber belting and spacer block attached with galvanised nails as supplied from Green-Tech Industries or similar and approved with tie height 1/3 stem height

Breedon gravel

Tree pit to be no deeper than rootball, 600mm larger than rootball on all sides, and should be square

Geo textile membrane to keep the roots from affecting hard surface make-up

All components as supplied from GreenBlue Urban or similar and approved

**Conifer Planting Pit Detail within Breedon gravel**

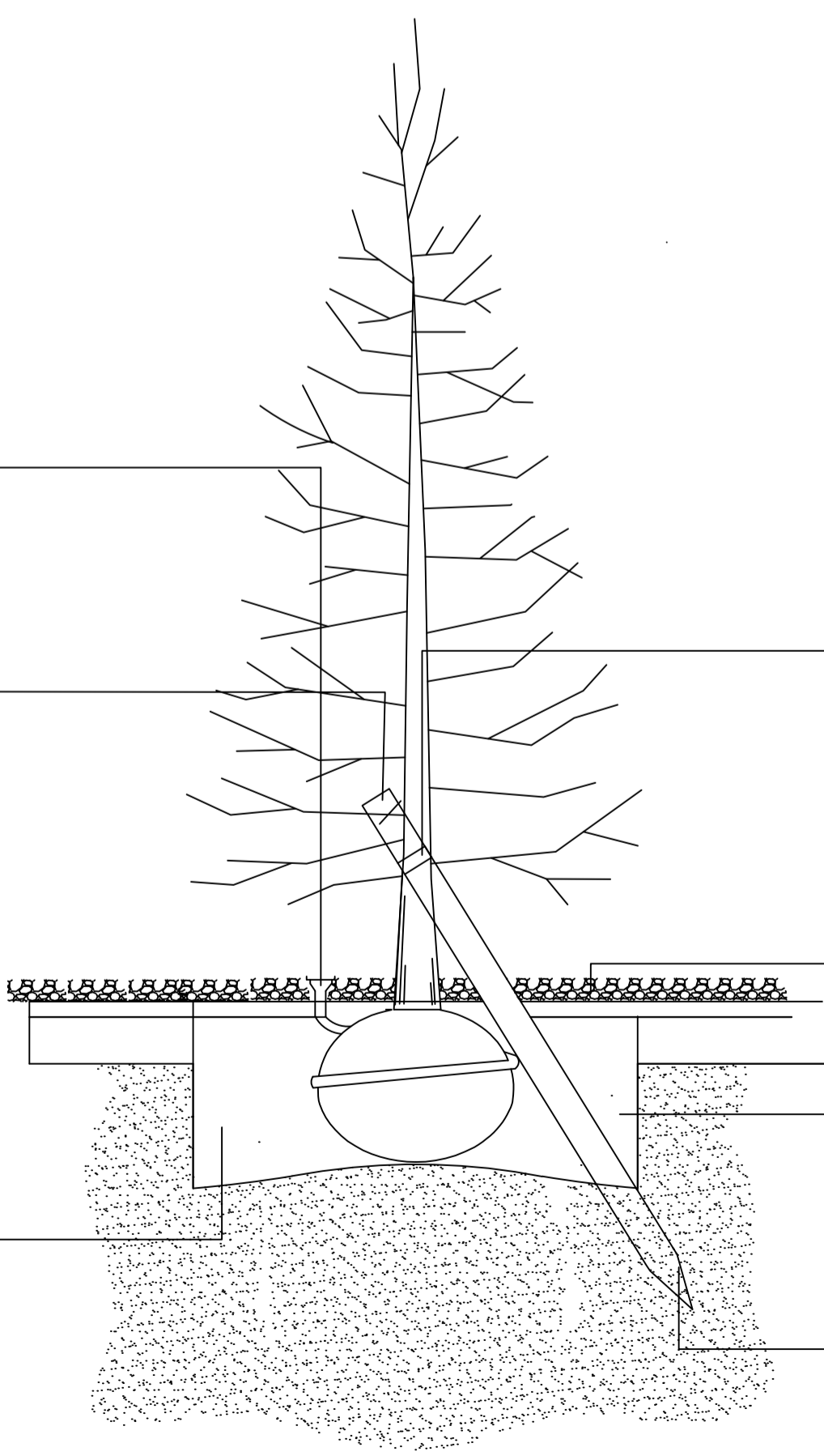
Root Rain Metro tree pit irrigation system

Pressure impregnated softwood stake driven into ground with a minimum of 700mm below ground. With 500mm above ground set at an angle.

The tree should be positioned in the hole so that the top of the rootball is level with the surrounding ground level

Backfilled material to be either originally excavated soil or imported soil to BS3882:2007. Topsoil depth to be 300mm with subsoil depth 600mm within tree pit

To be backfilled in layers of 300mm, each layer to be lightly firmed in with heel, to exclude large voids



Wire cage to be left on, and folded back/cut away around stem, if rootballed.

Rubber belting and spacer block attached with galvanised nails with tie

Breedon gravel

Tree pit to be no deeper than rootball, 600mm larger than rootball on all sides, and should be square

The stake and tow shall be positioned to avoid damage to lateral branches

**Plant Schedule**

Species Name	Girth	Height	Density	Specification	No.
<b>Trees</b>					
Amelanchier lamarckii	8-10cm	250-300cm	Counted	Selected Standard Clear Stem 175-200 .2x .RB	3 No.
Malus sylvestris	10-12cm	300-350cm	Counted	Selected Standard Clear Stem 175-200 .2x .B	6 No.
Prunus 'Shogetsu'	12-14cm	350-425cm	Counted	Heavy Standard Clear Stem 175-200 .3x .RB	1 No.
Lindendron tulipifera	12-14cm	350-425cm	Counted	Heavy Standard Clear Stem 175-200 .3x .RB	1 No.
Catalpa bignonioides	12-14cm	350-425cm	Counted	Extra Heavy Standard Clear Stem 175-200 .3x .RB	1 No.
Lindendron tulipifera	20-25cm	min. 450cm	Counted	Semi mature Clear Stem 175-200 .3x .RB	1 No.

Species Name	Height	Pot Size	Specification	Density	No.
<b>Conifers</b>					
Abies nordmanniana 'Golden Spreader'	30-40cm	5L	Feather	Counted	3 No.
Chamaecyparis obtusa 'Nana Aurea'	30-40cm		Feather Bushy	Counted	1 No.
Cryptomeria japonica 'Compressa'	30-40cm		Feather Bushy	Counted	1 No.
Picea sitchensis	30-40cm		Feather	Counted	1 No.
Pinus pinea	250-300cm		Leader & laterals .5x .RB	Counted	3 No.

Species Name	Height	Pot Size	Specification	Density	No.
<b>Shrubs</b>					
Cornus alba 'Kesselringii'	30-40cm	5L	Branched .C	4/m <sup>2</sup>	4 No.
Corylus avellana	80-100cm		Branched .3 brks .BR .Maintained as a hedge	0.5Cir Double Staggered at 0.3m offset	51 No.
Hebe pinguifolia 'Pagei'	30-40cm	3L	Bushy .C	4/m <sup>2</sup>	130 No.
Prunus spinosa	80-100cm		Branched .BR .Maintained as hedge	0.5Cir Double Staggered at 0.3m offset	31 No.
Rubus fruticosus	30-40cm	3L	Branched .C	0.5Cir Double Staggered at 0.3m offset	27 No.
Taxus baccata 'Standishii'	40-60cm	10L	Leader .C	Counted	2 No.

Species Name	Height	Pot Size	Specification	Density	No.
<b>Climbers</b>					
Clematis armandii	100-150cm	10L	Several Shoots .Cane	Counted	1 No.

Species Name	Height	Pot Size	Specification	Density	No.
<b>Herbaceous</b>					
Allium hollandicum 'Purple Sensation'	5-7 SL	C		4/m <sup>2</sup>	11 No.
Allium hollandicum 'Purple Sensation'	5-7 SL	Full Pot		4/m <sup>2</sup>	10 No.
Carex hachioensis 'Evergold'	5-7 SL	C		4/m <sup>2</sup>	11 No.
Echinacea purpurea	5-7 SL	C		4/m <sup>2</sup>	11 No.
Echinacea purpurea	5-7 SL	Full Pot		4/m <sup>2</sup>	14 No.
Erigeron karvinskianus		Full Pot		1/m <sup>2</sup>	66 No.
Euphorbia amygdaloides robbiae		Full Pot		4/m <sup>2</sup>	4 No.
Euphorbia characias wulfenii		Full Pot		2/m <sup>2</sup>	9 No.
Euphorbia myrsinites		Full Pot		1/m <sup>2</sup>	66 No.
Geranium 'Patricia'		Full Pot		2/m <sup>2</sup>	9 No.
Geranium phaeum 'Lily Lovell'		Full Pot		4/m <sup>2</sup>	12 No.
Lythrum salicaria		Full Pot		4/m <sup>2</sup>	14 No.
Miscanthus sinensis 'Zebrinus'	5L	Full Pot		4/m <sup>2</sup>	8 No.
Soleirolia soleirolii		Full Pot		1/m <sup>2</sup>	25 No.
Stipa gigantea	5-7 SL	C		4/m <sup>2</sup>	11 No.
Verbena bonariensis	5-7 SL	C		4/m <sup>2</sup>	11 No.
Viola odorata		Full Pot	Full Pot	4/m <sup>2</sup>	12 No.
Viola odorata		Full Pot		2/m <sup>2</sup>	9 No.

Species Name	Specification	Density	No.
<b>Bulbs</b>			
Allium hollandicum	plant in groups of 5/2/m <sup>2</sup>	9 No.	
Galanthus nivalis	groups of 5	2/m <sup>2</sup>	43 No.

Species Name	Height	Pot Size	Specification	Density	No.
<b>Ferns</b>					
Adiantum pedatum		Full Pot		4/m <sup>2</sup>	12 No.
Asplenium scolopendrium		Full Pot		4/m <sup>2</sup>	12 No.

Species Name	Pot Size	Specification	Density	No.
<b>Marginal / Aquatics</b>				
Iris pseudacorus	Well Rooted	4/m <sup>2</sup>	10 No.	

Species Name	Height	Pot Size	Specification	Density	No.
<b>Grasses</b>					
Luzula nivea		Full Pot		2/m <sup>2</sup>	9 No.
Panicum virgatum	5L	Full Pot		4/m <sup>2</sup>	8 No.

Rev	Date	Details	Drawn
E	22.11.16	Client comments	JS
D	15.04.16	Client comments	JS
C	11.03.16	Replacement for T9	JS
B	22.02.16	Update for VE	JS
A	07.01.16	Changes to Arb. information	JNT



ACD at these offices:  
 Rodbourne Rail Business Centre, Grange Lane, Malmesbury, SN16 0ES  
 Tel: 01666 825646  
 Courtyard House, Mill Lane, Godalming, GU7 1EY  
 Tel: 01483 425714  
 Suite 6, Crescent House, Yonge Close, Eastleigh, SO50 9SX  
 email: mail@acdenv.co.uk  
 www.acdenvironmental.co.uk

**Lovell Partnerships Limited**

scheme: Regent's Park Estates  
 Robert Street  
 client: Lovell Homes  
 drawing: Soft Landscape Proposals  
 date: September 2015  
 scale: 1:100@A1  
 drawing no: LOV20032-11E Sheet3of3  
 drawn: JNT checked: JS

Copyright of ACD Environmental Ltd. All rights described in Chapter IV of the Copyright, Designs and Patents Act 1988 have been generally asserted. 2011. Copyright of this plan remains with ACD until all fees have been paid in full.