



Glass Balustrades cp-1402

For balustrade and staircase installation


- Fascia mounting on balconies and staircases
- Connection of the handrail to a substructure not necessary
- Trouble-free outdoor applications made possible by a thick anodized protective layer. Drainage holes incl.
- Applicable for french balconies
- Unlimited glass panel width
- Due to the glass panel height of 1205mm, the system is applicable for balconies over 12m
- Also certified for low glass heights like „Attika-Balustrades“



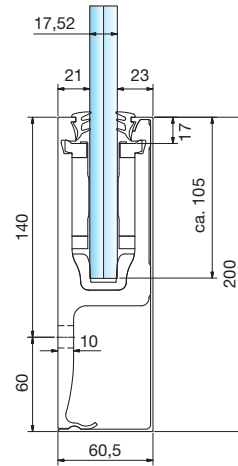
System profile set cp-1402 for glass 17,52 mm – fascia mounting



finish: stainless steel effect

Art. no.	material	Length	
1402E123-17-2500	Aluminium	2500 (-0/+2)	17,52
1402E123-17-5000	Aluminium	5000 (-0/+2)	17,52


customized cutting available upon request



System profile set cp-1402 for glass 21,52 mm – fascia mounting

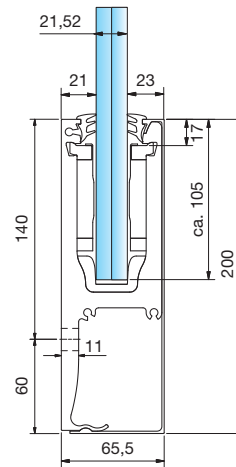


finish: stainless steel effect

Art. no.	material	Length	
1402E123-21-2500	Aluminium	2500 (-0/+2)	21,52
1402E123-21-5000	Aluminium	5000 (-0/+2)	21,52

customized cutting available upon request

connection of two profiles with connecting pin 1400-3VA



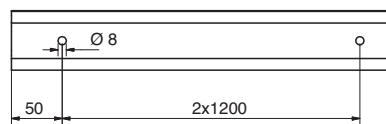
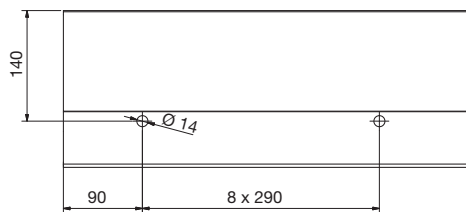
5000 mm Set consists of:



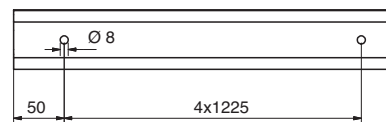
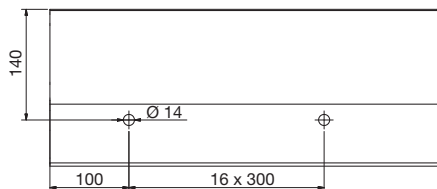
- | | | | |
|---|--|---|---|
|  | 1x 1402-1E123-17-5000 / 1402-1E123-21-5000
base profile |  | 1x 1400-2EPDM-17-5000 / 1400-2EPDM-21-5000
lower glazing profile |
|  | 30x 1400-10EPDM
clamp |  | 1x 1402-2E123-5000
cladding |
|  | 10 m 1400-6KU3
upper glazing profile | | |

anchor point drain holes

for length
2500 mm



for length
5000 mm



Endcaps can be found on page 26

front mounting cp-1402

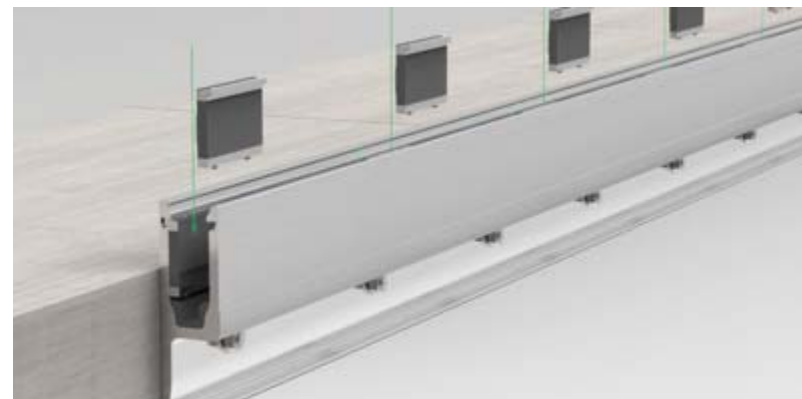
fast and simple



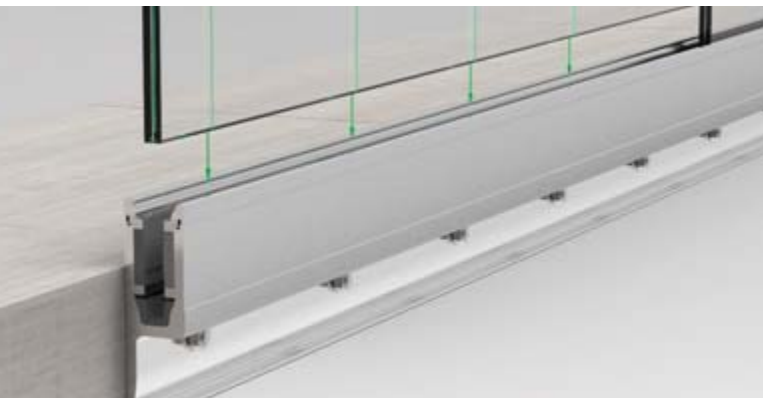
1. mount the profile



2. Insert lower glazing profile (for outdoor usage, blank out at the draining holes)



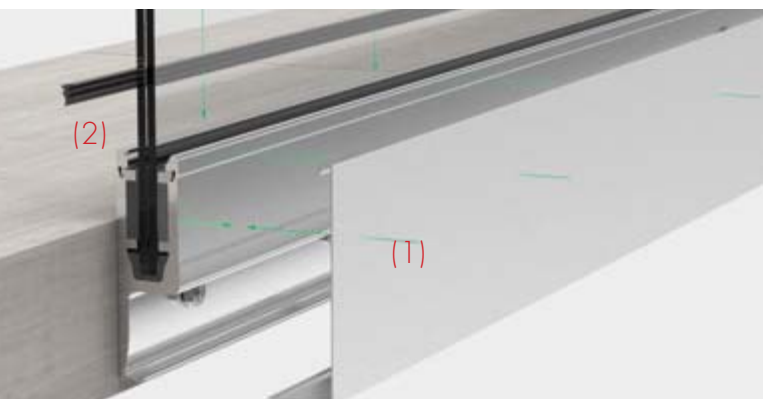
3. Insert clamps



4. Insert the glass



5. Align and fix the glass



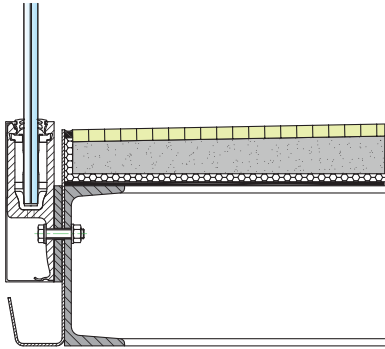
6. Attach the cladding (1) and the upper glazing profile (2)



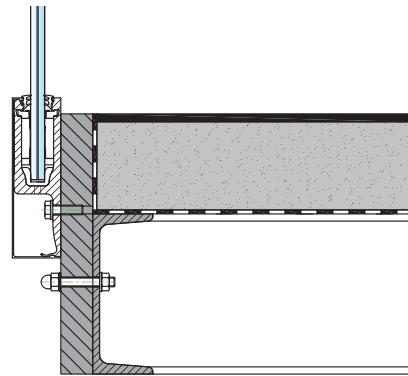
7. Completed system

Structural connections for cp-1402

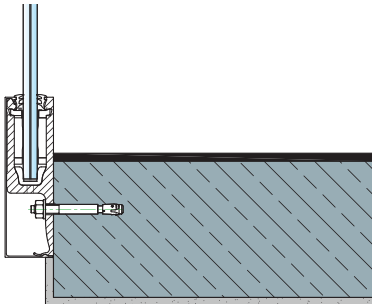
There are many mounting possibilities to a specific substructure. These however must be calculated concerning load introduction and transmission for each building situation. We would be glad to assist you in this area.



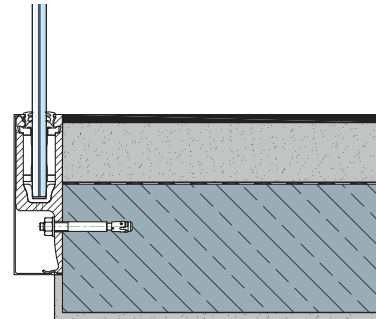
(A) Connection to steel u-profile with onsite spacing washer and gutter



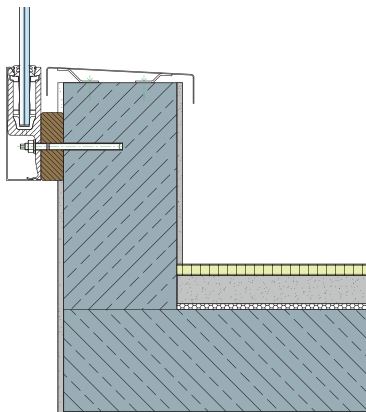
(B) Frontal connection to steel u-profile with extended profile



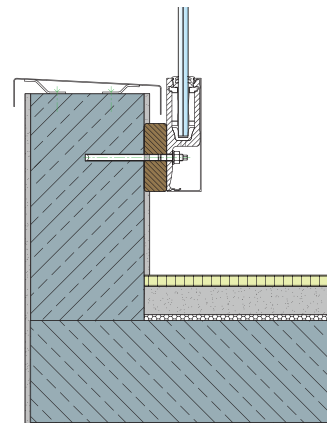
(C) Frontal connection at the edge of a concrete slab with extended profile



(D) Frontal connection at the edge of a concrete slab flush with screed floor



(E) Frontal connection to an „Attika-wall“, fixation on the outside



(F) Frontal connection to an „attika-wall“ on the inside