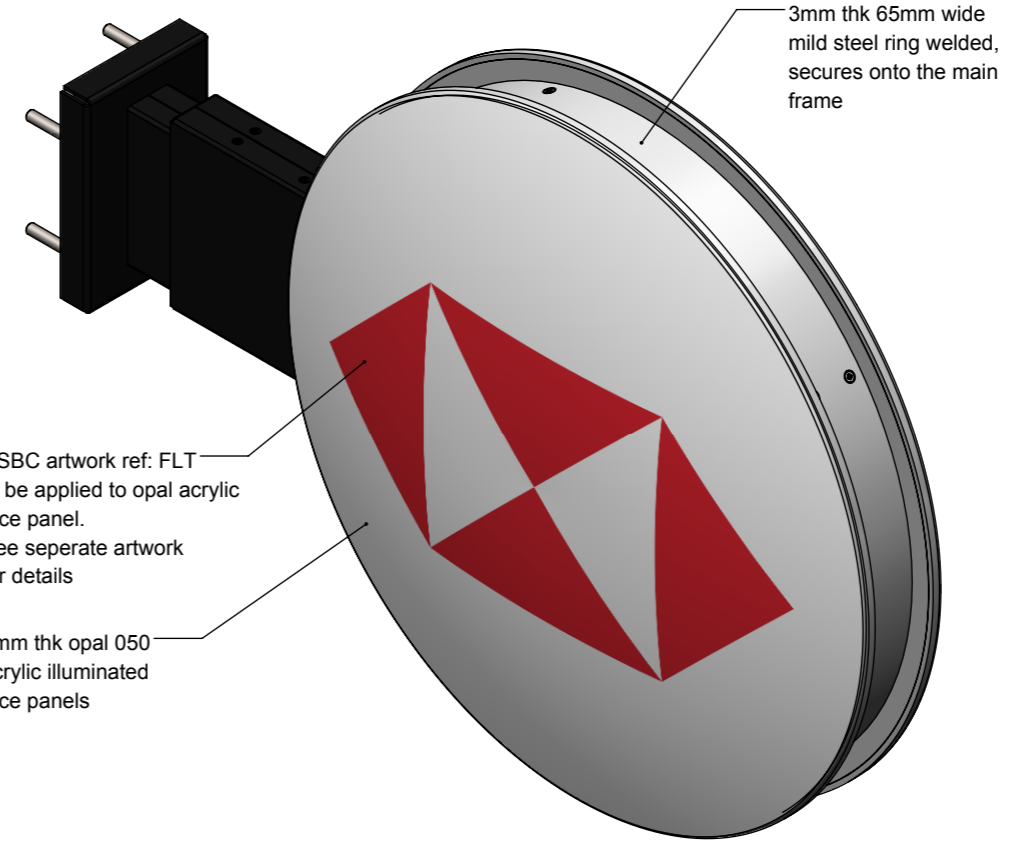
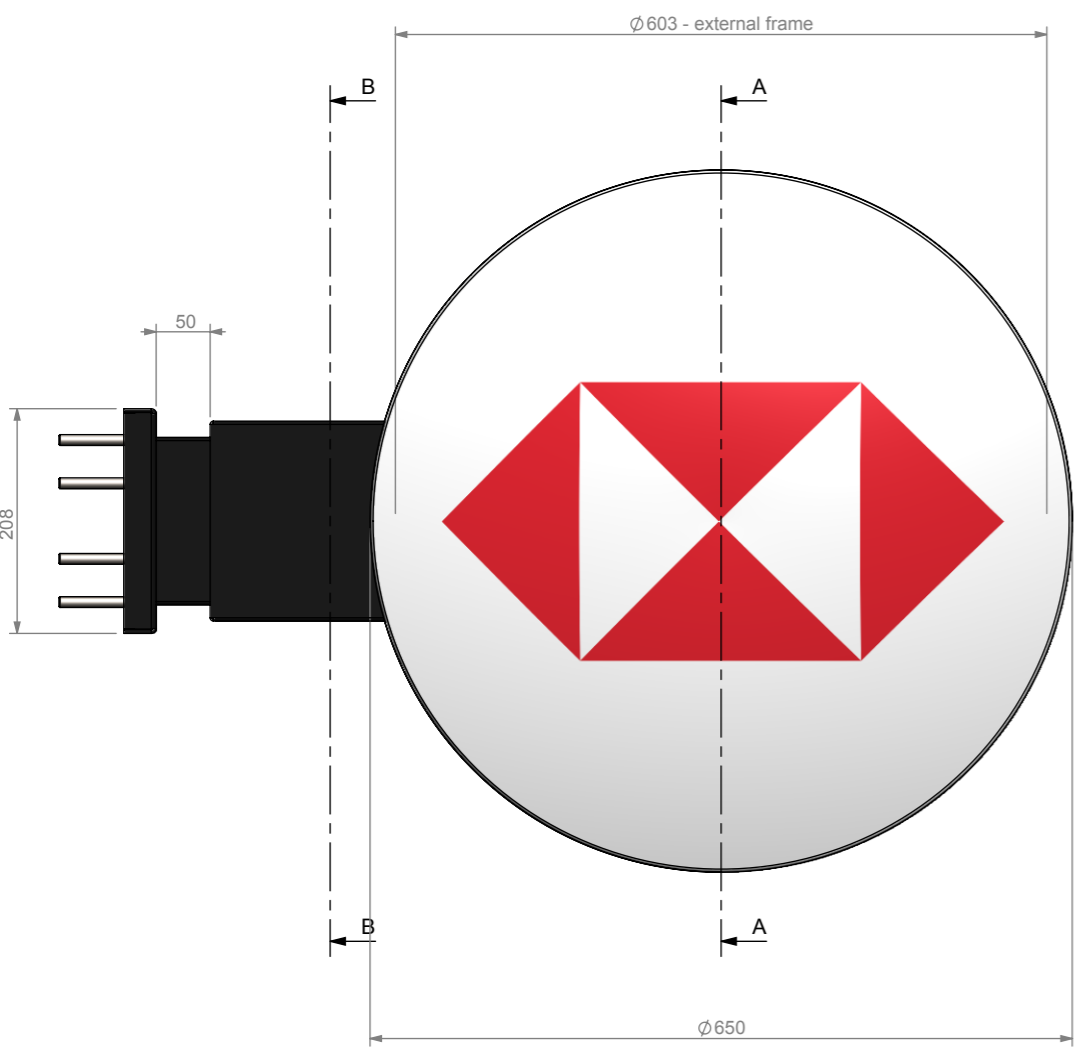


2mm thk mild steel cover shroud in two pieces secured onto standoff plates along top and bottom edge.

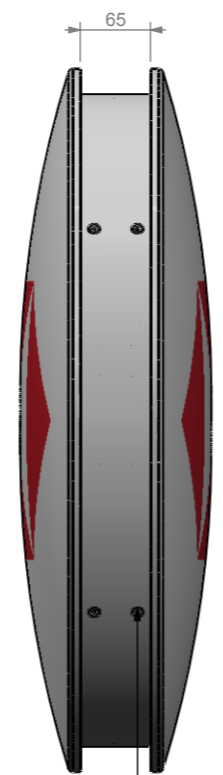


HSBC artwork ref: FLT to be applied to opal acrylic face panel. See separate artwork for details

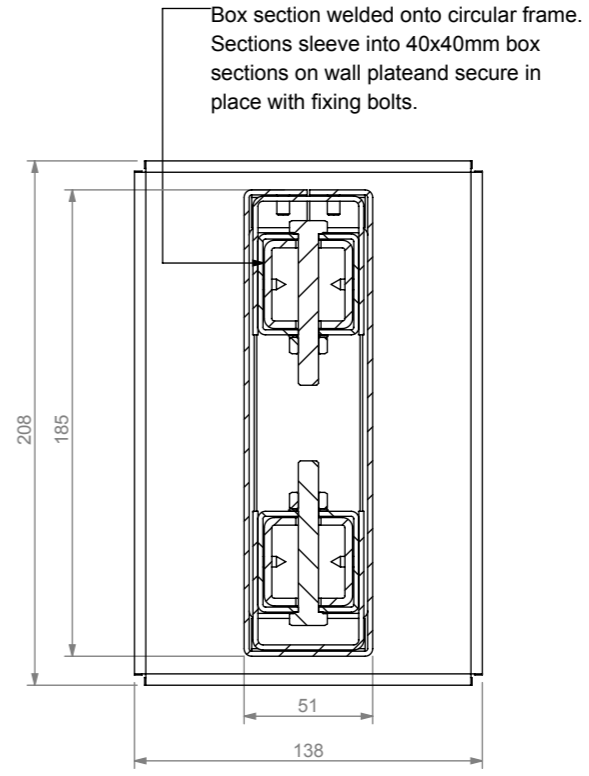
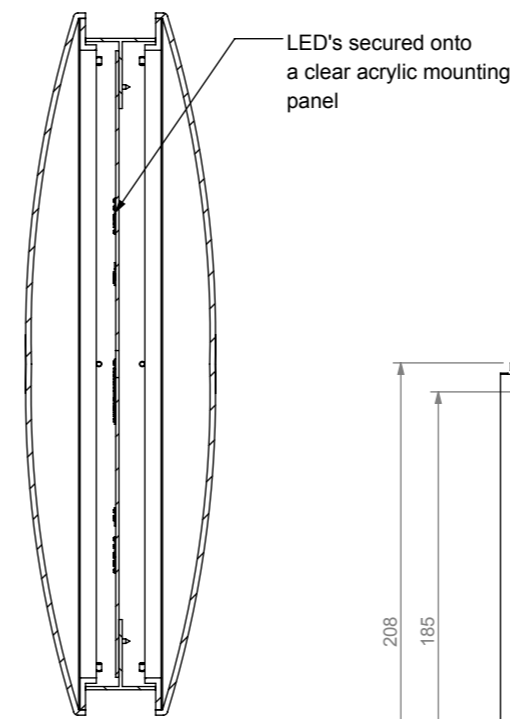
5mm thk opal 050 acrylic illuminated face panels



SECTION A-A
SCALE 1 : 7



Hex head countersunk fixings secure the opal panels to the circular frame.



SECTION B-B
SCALE 1 : 3

Do not scale this drawing
All dimensions to be verified on site prior to commencement of works.
Any discrepancies must be reported to the drawing author immediately

Drawing Notes:

All metal joints are to be welded and dressed to achieve a clean, even finish. All text should be placed with the use of a laser level.

Rev	Date	Description	By



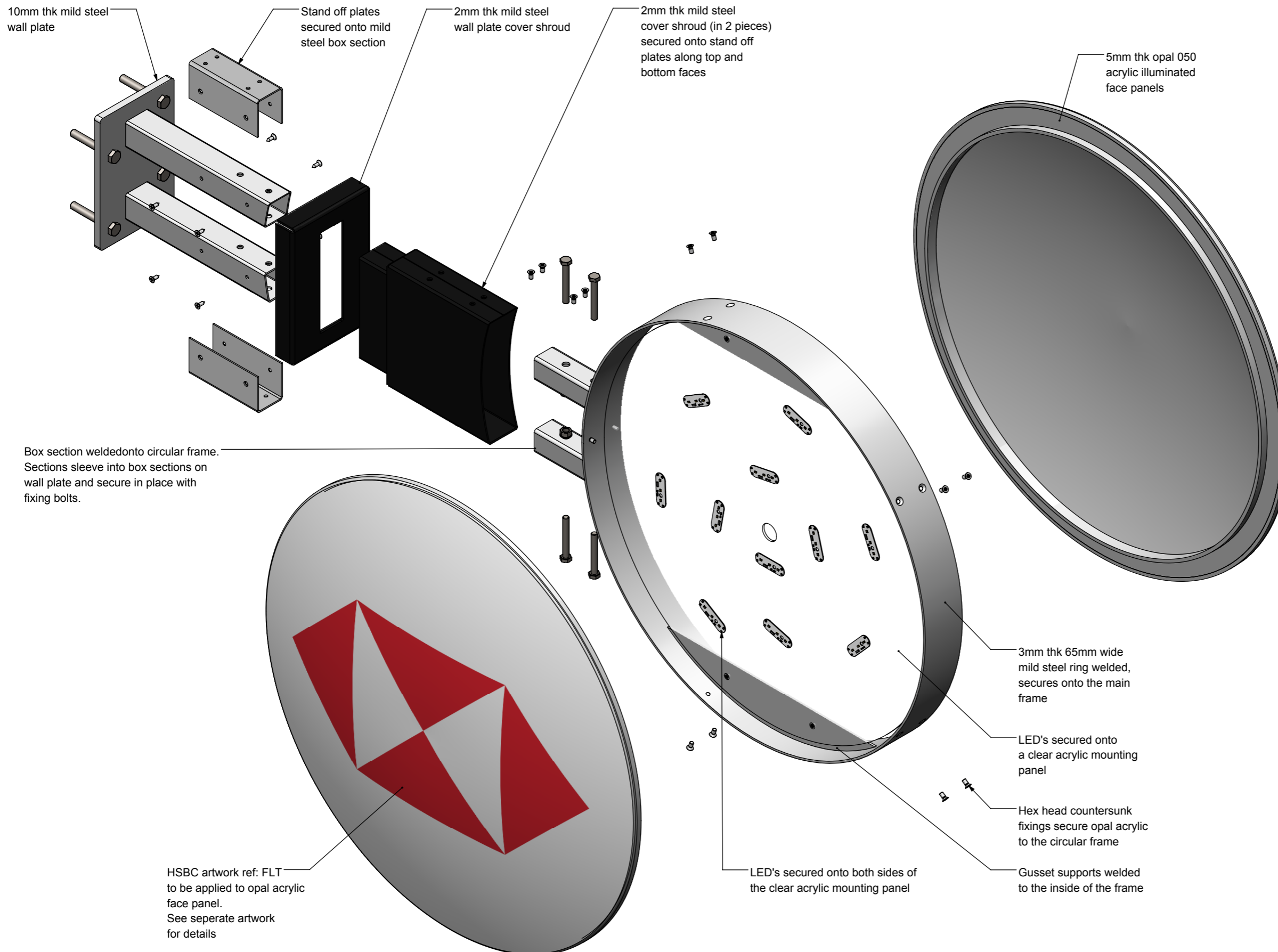
www.groupdesign.hsbc.com

Project:	Global Design Standards 4.2
Title:	HSBC Attract - Projection Sign Illuminated

Scale: 1:7 @ A3 Date: 09.12.2015
 Drawn: AR Cad job no.
 Checked by: JC

Drawing no. (Cad file name)	Rev.
HSBC-PSI0912-A01	-

Do not scale this drawing
 All dimensions to be verified on site prior to commencement of works.
 Any discrepancies must be reported to the drawing author immediately



Drawing Notes:

All metal joints are to be welded and dressed to achieve a clean, even finish. All text should be placed with the use of a laser level.

Rev	Date	Description	By



www.groupdesign.hsbc.com

Project:	Global Design Standards 4.2
Title:	HSBC Attract - Projection Sign Illuminated

Scale: 1:7 @ A3 Date: 09.12.2015

Drawn: AR Cad job no.

Checked by: JC

Drawing no. (Cad file name)	Rev.
HSBC-PSI0912-A01	-