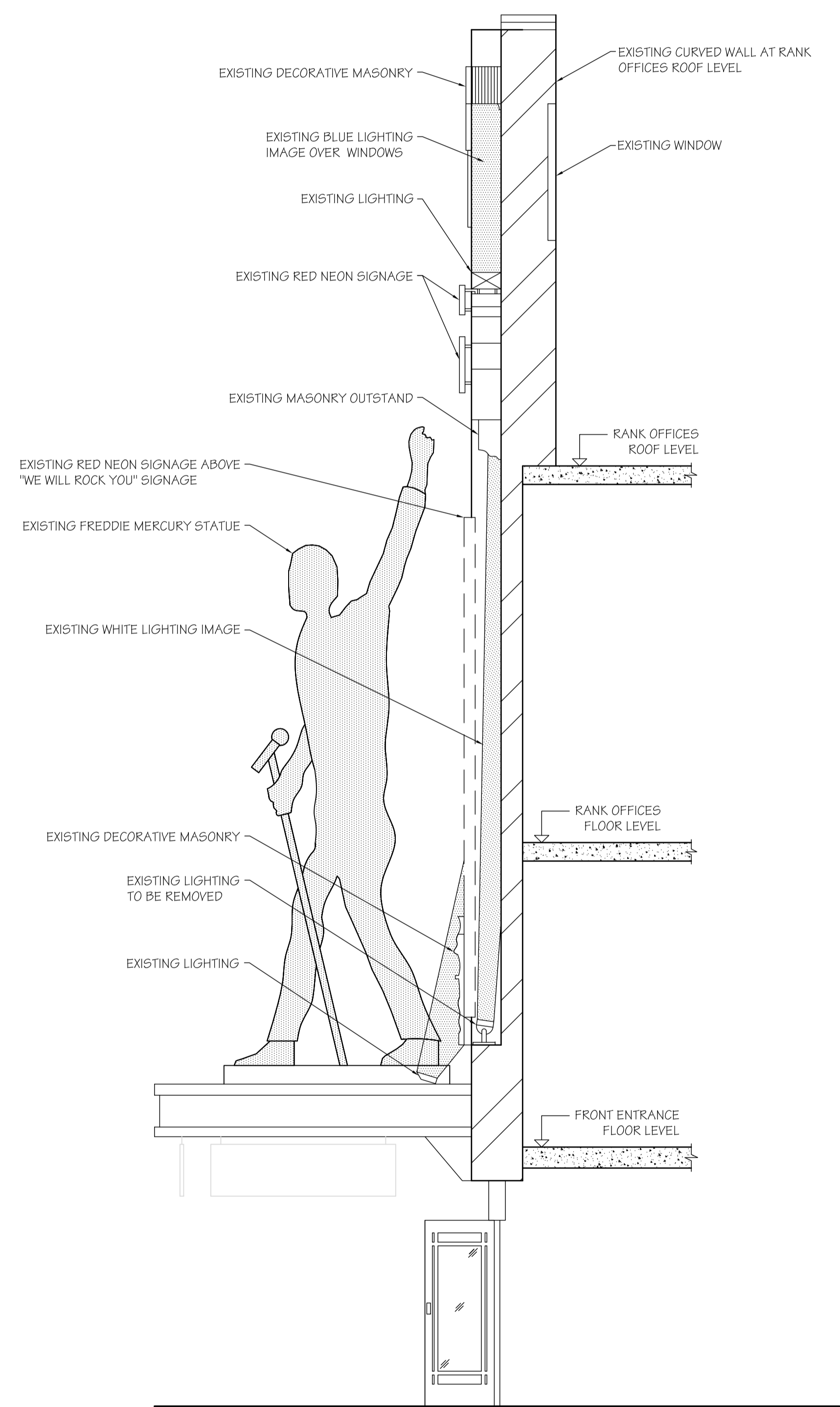


EXISTING FRONT ELEVATION (SCALE 1:50 AT A1)



EXISTING SECTION A-A (SCALE 1:50 AT A1)

FOR DISCUSSION PURPOSES ONLY

Rev.	Date	Description	By
Revisions			

Michael Jackson Consulting
 204 BOLTON ROAD
 WORSLEY
 MANCHESTER, M28 3BN
 Chartered Structural Engineers
 Tel: 0161 790 4404
 Fax: 0161 790 4405

Client
NEDERLANDER

Site
 THE DOMINION THEATRE, LONDON

Project
 EXTERNAL FRONT ELEVATION WORKS

Drawing Title
 EXISTING ELEVATION AND SECTION

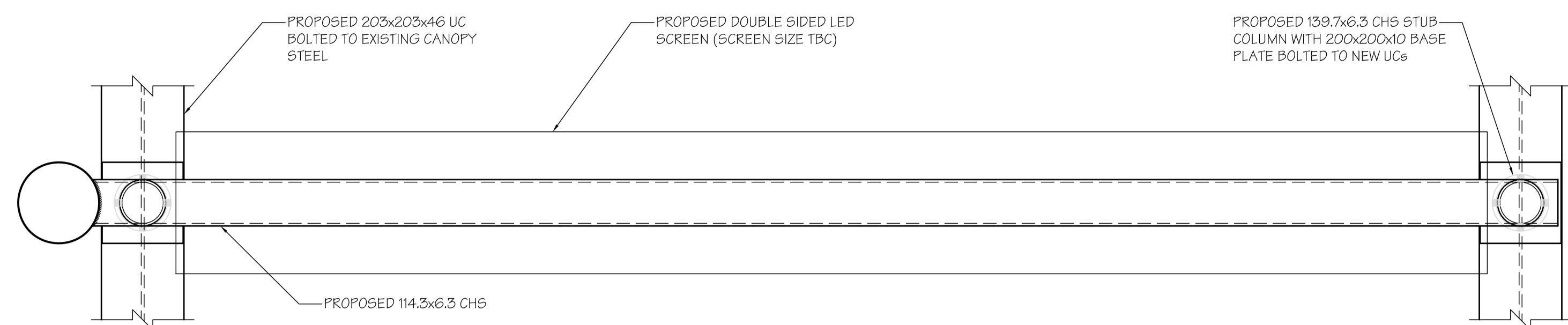
Scale	Date	Drawn	Checked	Passed
A5 SHOWN	APR 14	D5		

DRG. No. 2243-03-002

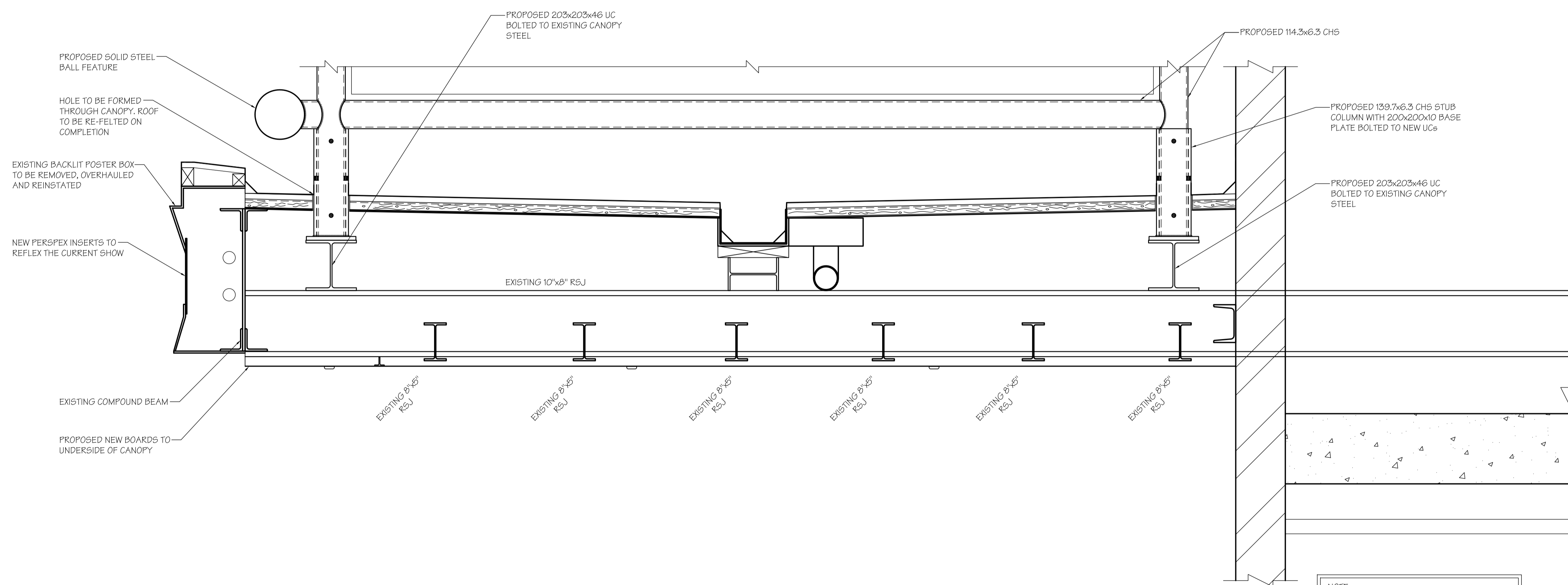
DO NOT SCALE THIS DRAWING.

ORIGINAL DRAWING SIZE A1

Notes



PROPOSED PLAN ON NEW STEEL FOR LED SCREEN
(SCALE 1:10 AT A1)



PROPOSED SECTION A-A THROUGH CANOPY
(SCALE 1:10 AT A1)

NOTE:
ALL WORKS ARE TO BE UNDERTAKEN FROM THE TOP OF THE CANOPY

NOTE:
THE CONTRACTOR IS TO ENSURE THE WORKS DO NOT IN ANY WAY IMPAIR WITH THE NORMAL OPERATION OF THE VENUE

NOTE:
THE CONTRACTOR IS TO ALLOW FOR ALL STABILITY

FOR DISCUSSION
PURPOSES ONLY

Rev.	Date	Description	By
Revisions			

Michael Jackson Consulting
 204 BOLTON ROAD
 WORSLEY
 MANCHESTER, M28 3BN
 Chartered Structural Engineers
 Tel: 0161 790 4404
 Fax: 0161 790 4405

Client
NEDERLANDER

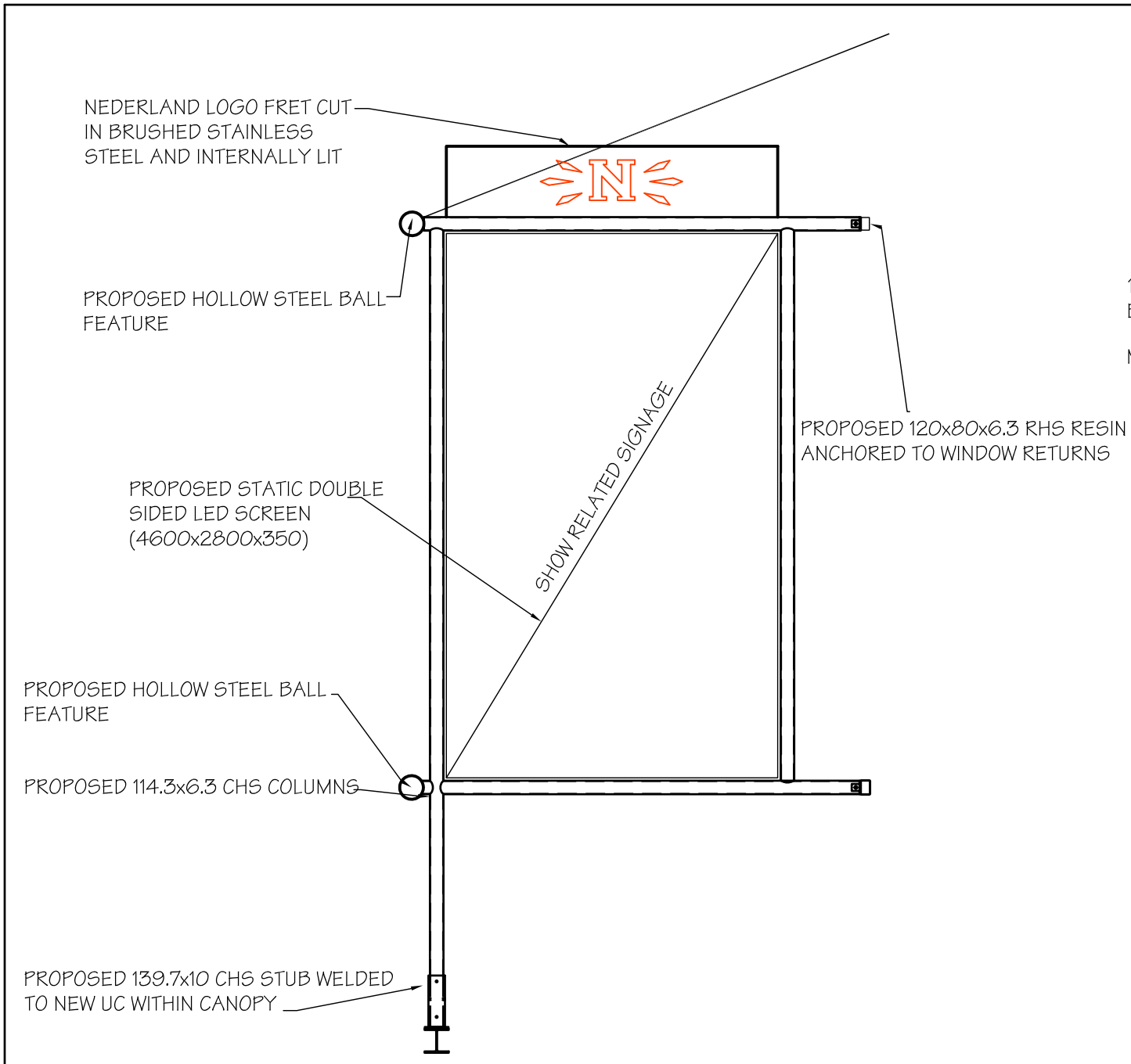
Site
THE DOMINION THEATRE, LONDON

Project
EXTERNAL FRONT ELEVATION WORKS

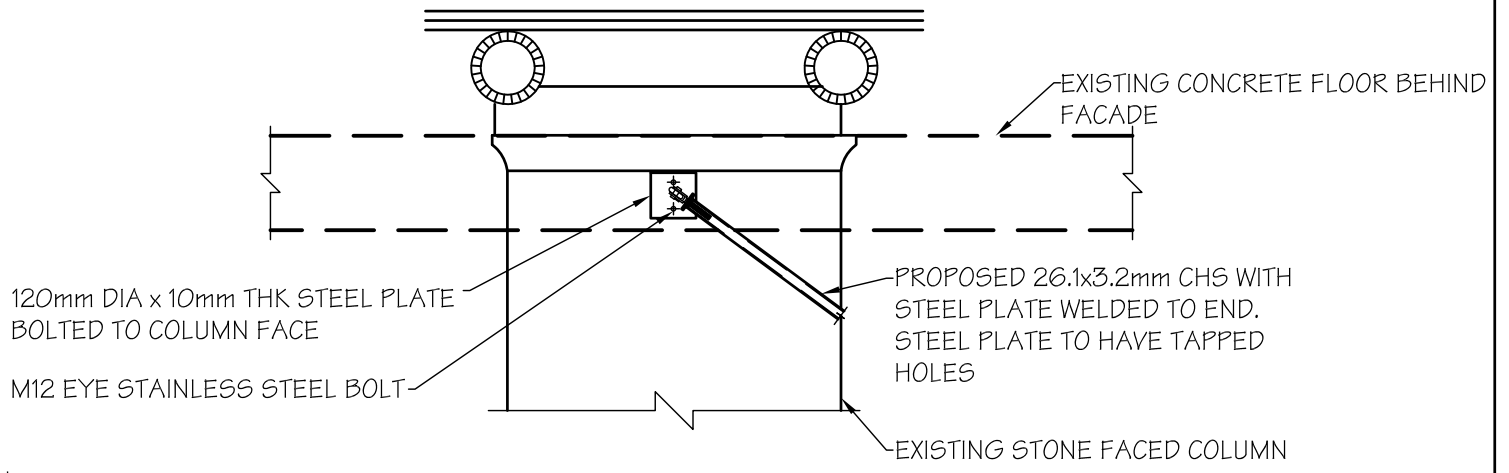
Drawing Title
PROPOSED SIGANGE AND FIXING DETAILS

Scale	Date	Drawn	Checked	Passed
A5 SHOWN	APR 14	D5		

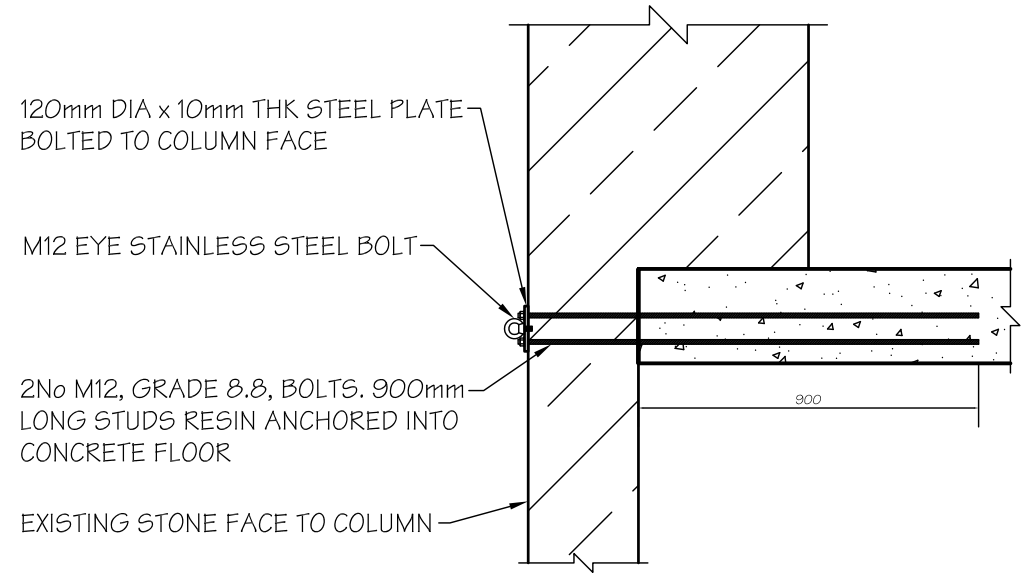
DRG. No.
2243-03-004



PROPOSED FRAME DETAILS FOR LED SCREENS
(SCALE 1:50 AT A3)




ELEVATION ON COLUMN NOTING FIXING DETAILS
(SCALE 1:20 AT A3)



TYPICAL SECTION THROUGH FIXING DETAIL
(SCALE 1:20 AT A3)

THIS DRAWING AND THE COMPUTER FILE OF THIS DRAWING ARE COPYRIGHT. THE COPYRIGHT BELONGS TO MICHAEL JACKSON CONSULTING ENGINEERS LIMITED (MJCE LIMITED). THIS DRAWING MAY THEREFORE, NOT BE REPRODUCED IN ANY FORMAT WITHOUT THE WRITTEN CONSENT OF MJCE LIMITED AND THE COMPUTER FILE MAY NOT BE TRANSFERRED WITHOUT THE WRITTEN CONSENT OF MJCE LIMITED.

 Michael Jackson Consulting Chartered Structural Engineers	204 BOLTON ROAD WORSLEY, WALKDEN MANCHESTER, M28 3BN Tel: 0161 790 4404 Fax: 0161 790 4405	SKETCH	Contract No. 2243-03 D
	Element of Structure FRAME WORK TO NEW LED SCREENS	Prepared DS Date 15/05/14 Checked Date Contract DOMINION THEATRE, WE WILL ROCK YOU GET-OUT	Sketch Sheet No. 006 Revision