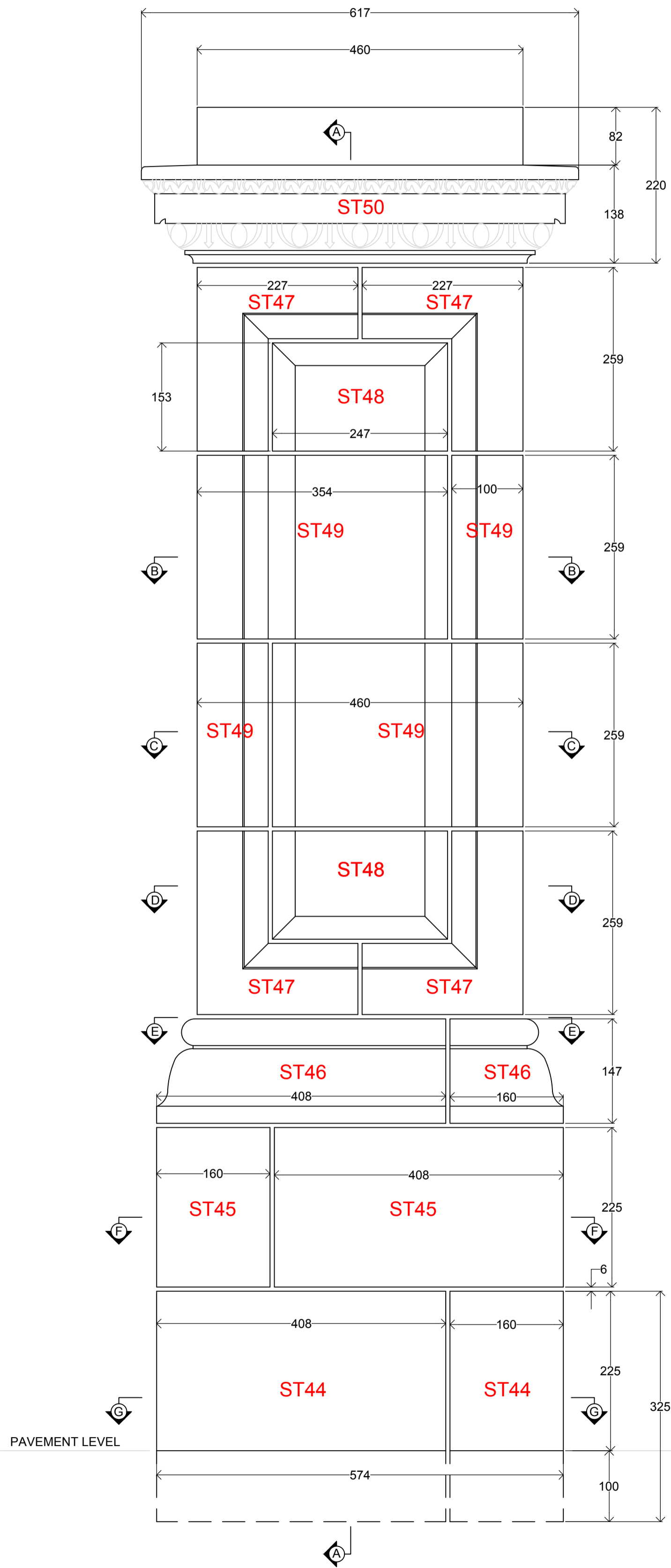
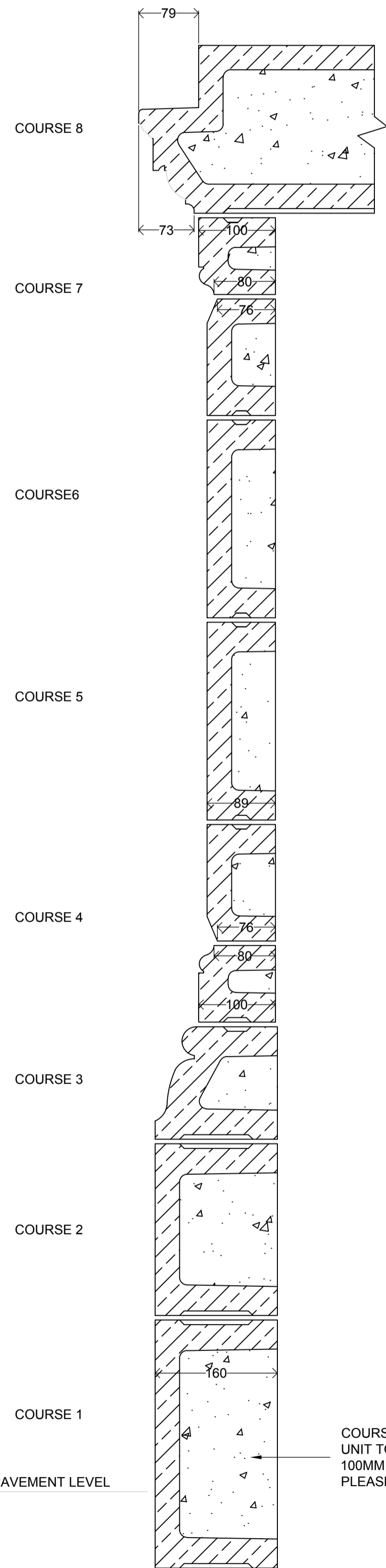


PLEASE NOTE THAT THE DESIGN BELOW IS A TYPICAL DETAIL OF A PIER SURVEYED ON THE RUSSELL STREET ELEVATION FOR SPOT REPLACEMENT UNITS PLEASE CHECK THAT THE BONDING DETAIL IS THE SAME AS THE BELOW DESIGN.

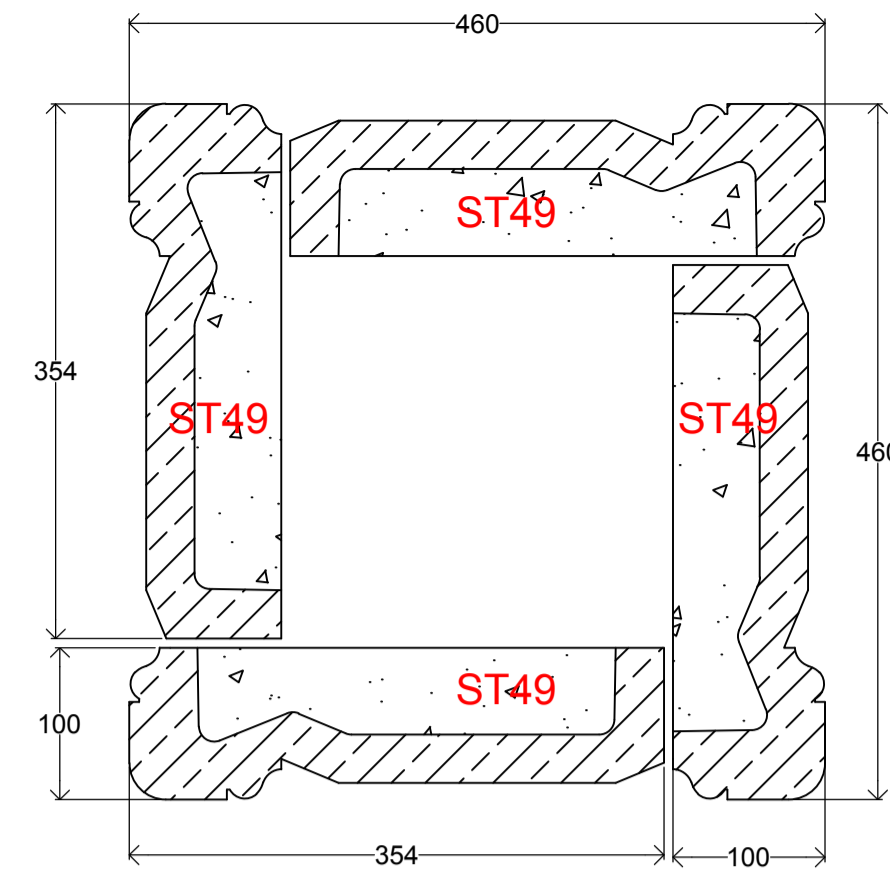
PIER UNIT BREAKDOWN		
STAMP NO	UNIT TYPE	QUANTITY
ST44	C1 QUOIN UNITS	x 4
ST45	C2 QUOIN UNITS	x 4
ST46	C3 PLINTH UNITS	x 4
ST47	C4 & 7 CORNER UNITS	x 8
ST48	C4 & 7 CHAMFERED PANELS	x 8
ST49	C5 & 6 PANEL UNITS	x 8
ST50	C8 TOP CAP	x 1



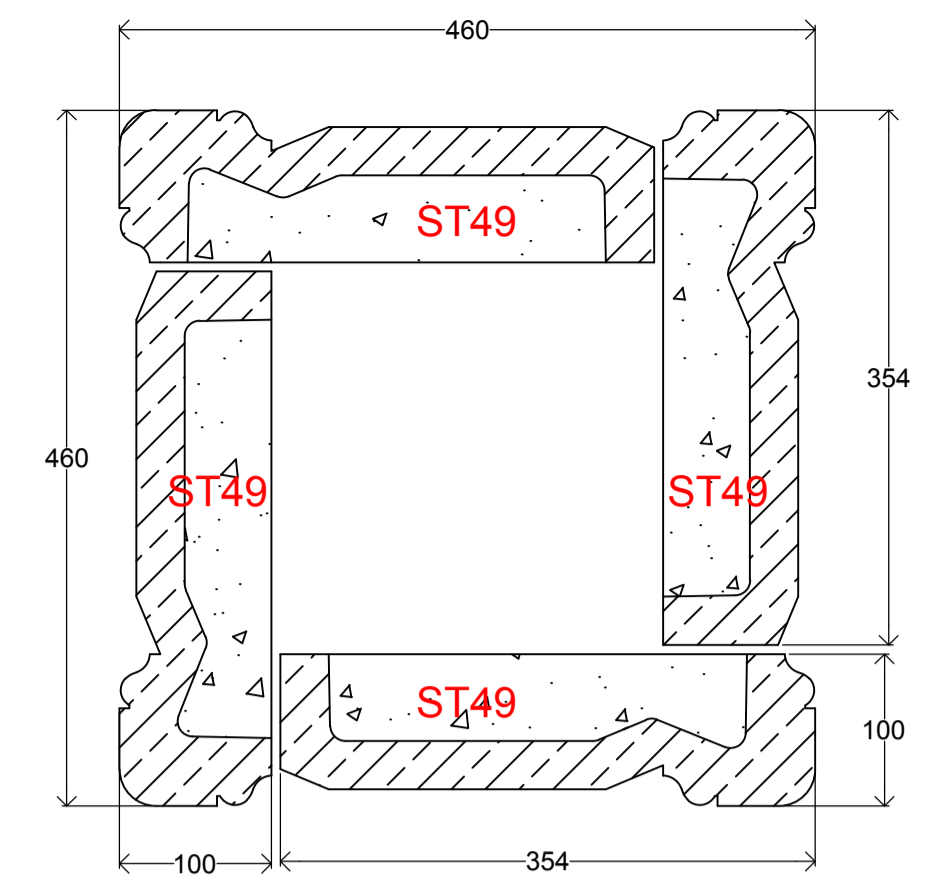
GROUND FLOOR PIER FRONT VIEW SCALE 1:5



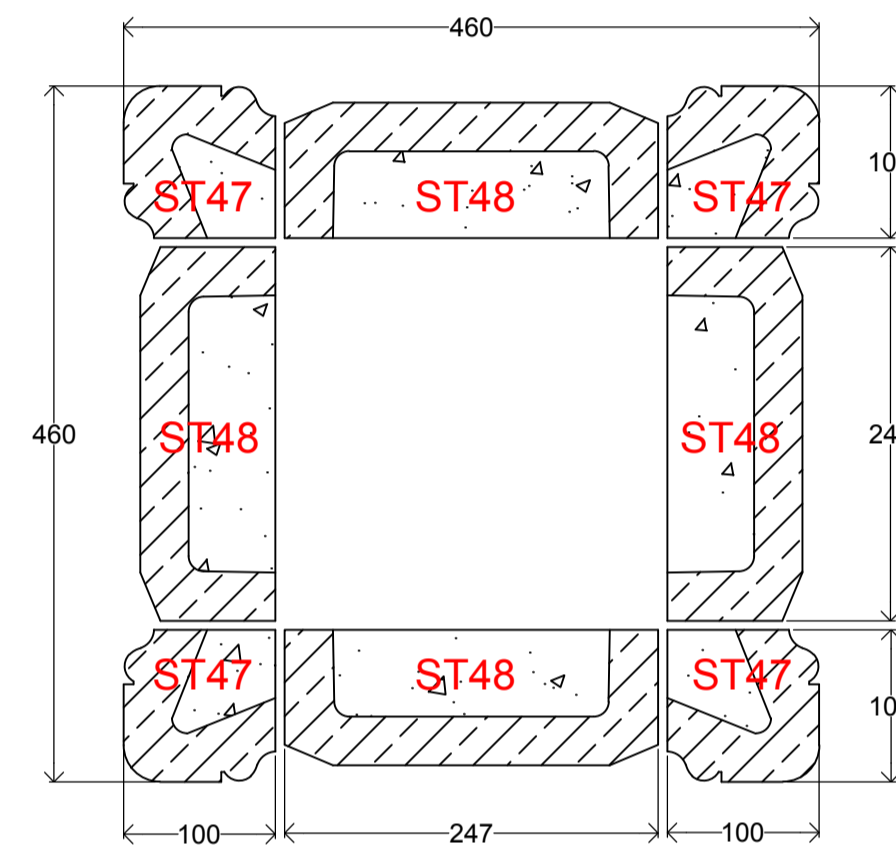
SECTION A-A SCALE 1:5



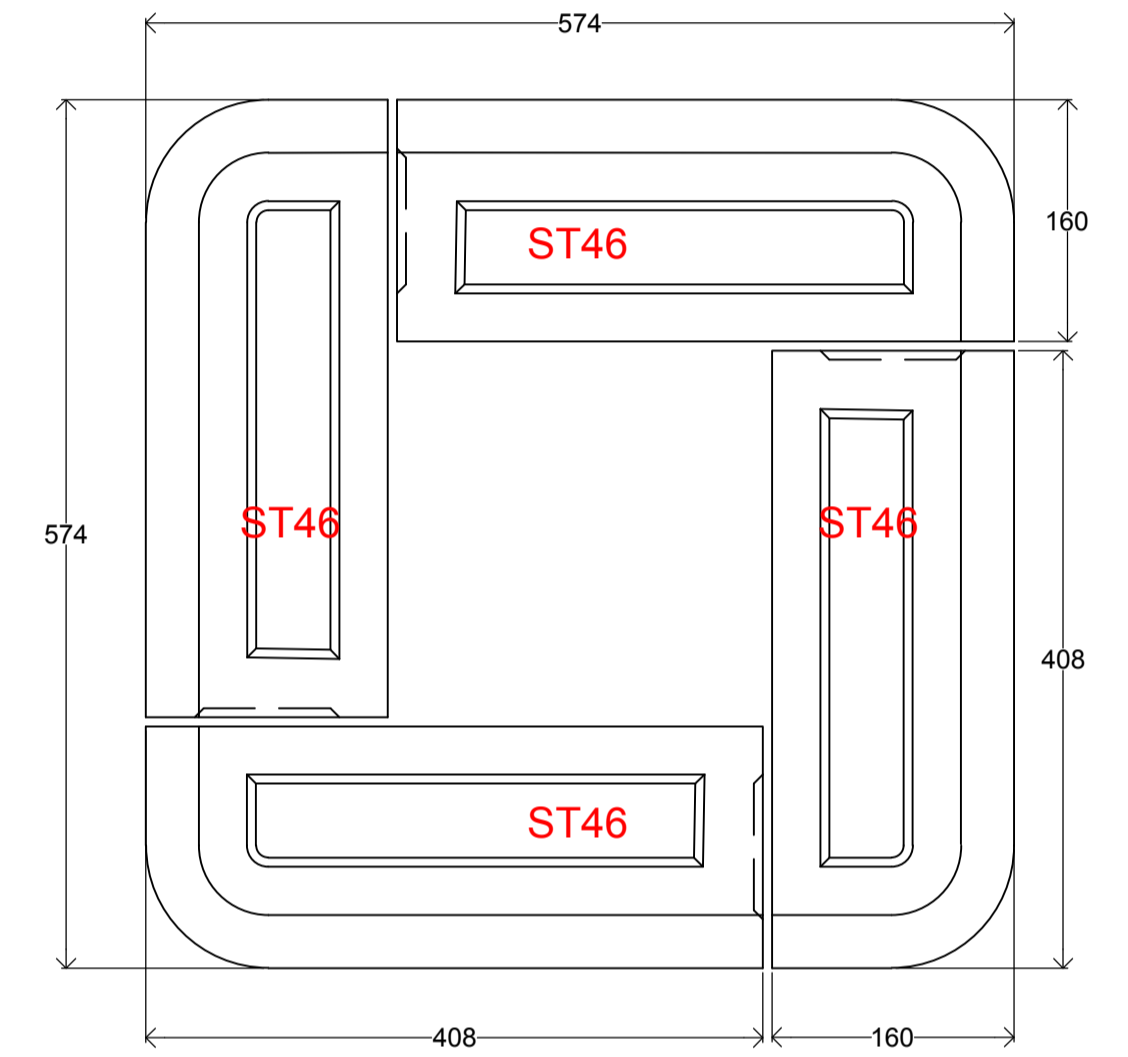
SECTION B-B SCALE 1:5



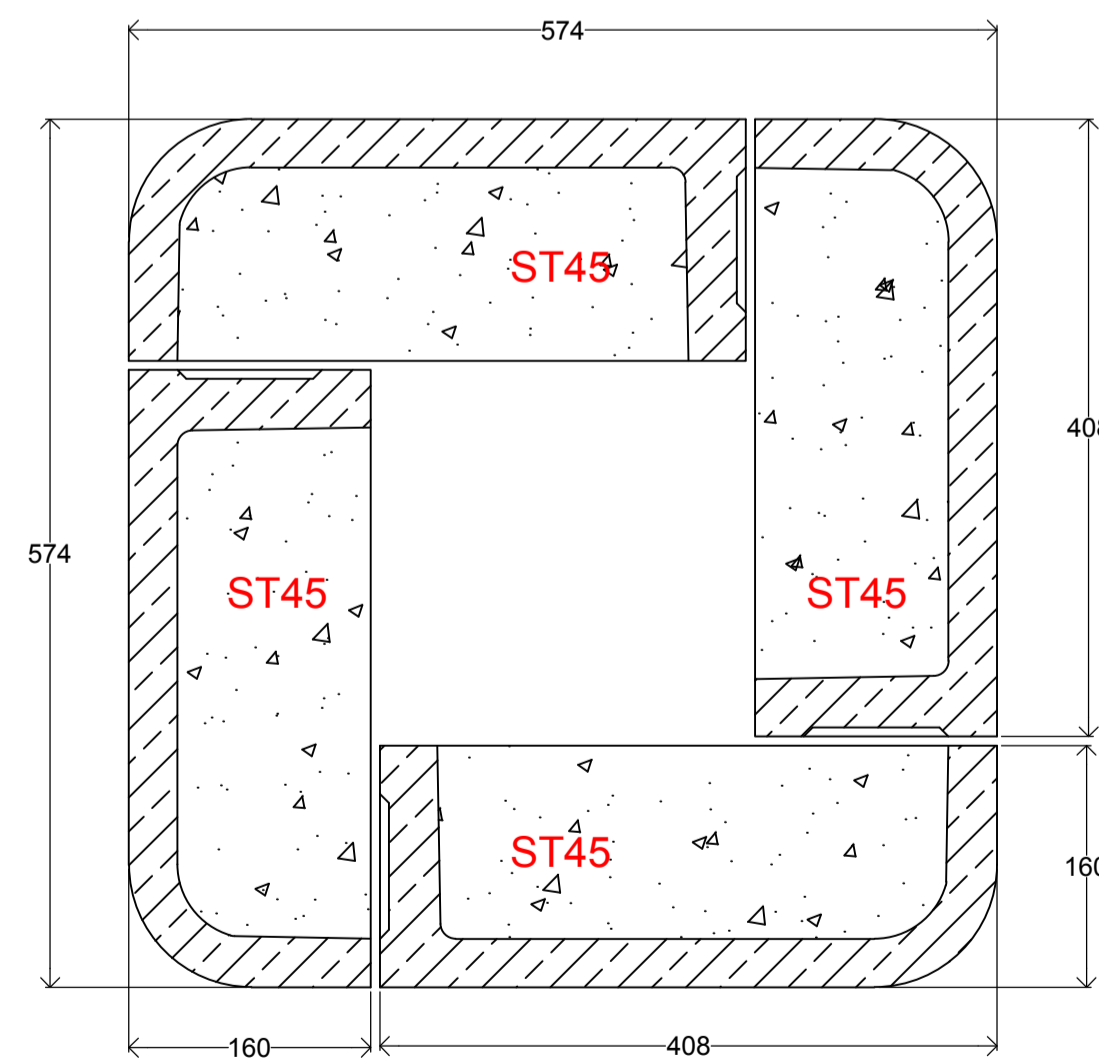
SECTION C-C SCALE 1:5



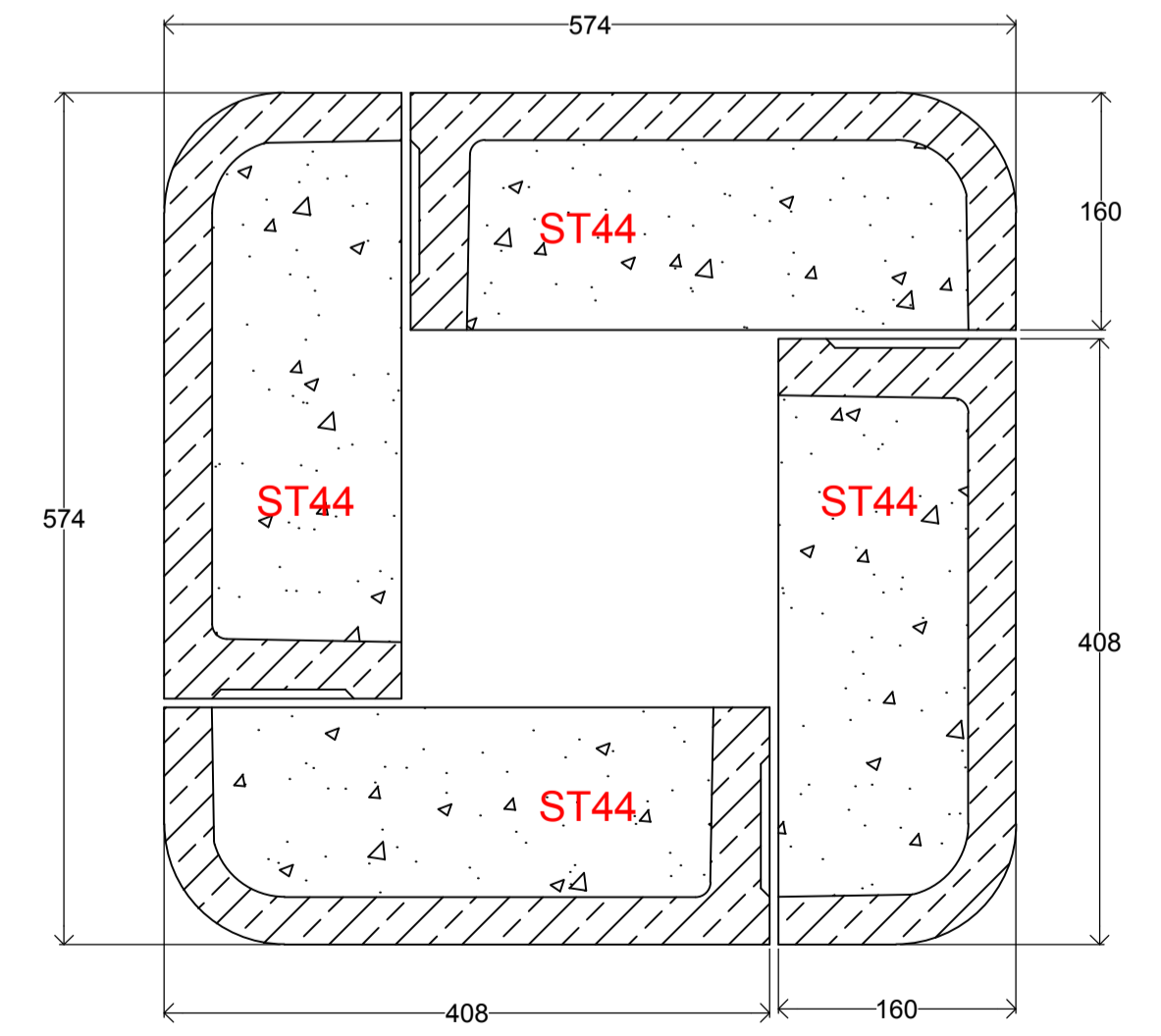
SECTION D-D SCALE 1:5



SECTION E-E SCALE 1:5



SECTION F-F SCALE 1:5



SECTION G-G SCALE 1:5