

Project: 69A Endell Street  
 Project reference: END  
 Project number: 194  
 Drawing title: Location Plan  
 Drawing number: A-194-END-PL-000-SITE-LOCI  
 Scale: Various  
 Date: April 2017  
 Status: Planning  
 Drawn: CB  
 Checked: AA  
 Revision: P1

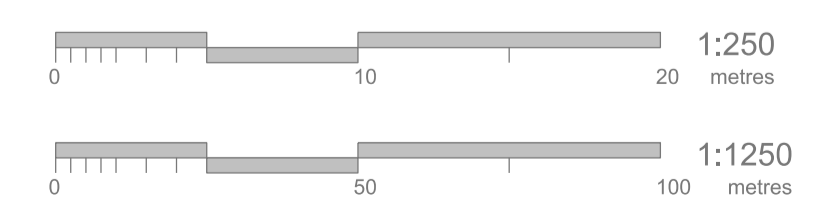
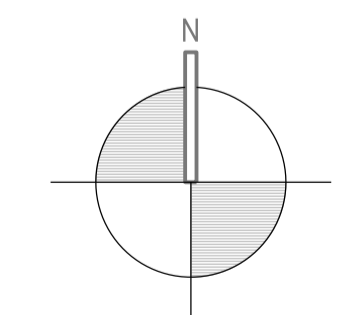
Revision #	Date	Amendment
P1	13/04/2017	Planning

- General Notes:
- All dimensions to be checked on site prior to construction or fabrication. Any discrepancies should be reported to the architect.
  - Where structural elements are shown this is for illustrative purposes only. All structural design to be carried out by suitably qualified structural engineer.
  - All drawings are indicative of architects visual requirements and show design intent only. All work is subject to change upon detail design.
  - All dimensions in mm unless otherwise specified. Use figured dimensions only. Do not scale. IF IN DOUBT ASK.
  - All work to conform to current building regulations and all current construction legislation, if divergences from statutory requirements are shown on the drawings these should be reported to the architect immediately.
  - All drawings are to be read in conjunction with specifications and drawings of all other consultants.
  - This drawing has been produced using survey information supplied by others, the accuracy of which dust can not guarantee. All dimensions are to be checked and confirmed onsite by the contractor prior to construction.

Key:  
 Site Boundary



PL 00 LOCATION PLAN  
 1:1250/1:2500 A1/A3



PL00 69 ENDELL STREET  
 1:250/1:500 A1/A3