

This drawing is the Copyright of CTL and must not be reissued, loaned or copied without written consent. Use written dimensions only. Do not scale. Use the current revision of all referenced information.

NOTES

Summary information only: Refer to manufacturer (Alifabs) drawings and procedure documents for details.

For plinth deployment options refer to Alifabs Drg No. G-100134.

For Root deployment refer to Alifabs Drg No. G-100143

This cabinet differs from JSC cabinets whereby there is no space for REC meter and fuse. It is intended that an external supply will feed this cabinet. This enclosure is designed for use with Alifabs roof top deployment system, however it can be deployed stand-alone utilising a root or plinth.

It is designed with 14U to provide accommodation for communications link and network terminating equipment (6U) in addition to providing space for 2 x E// RBS 6601 units. 1U space should be allowed above and below each RBS6601 to allow sufficient air flow.

The JSC MK 3 enclosure comes fitted with integral DC supply, battery backup and AC consumer unit. It is fitted with a 3U Elek FP2 PSU (3 x 3kW), fed by 2 x 32amp breakers.

Minimum power supply single phase 50 amp breaker

Sub-main cable to be 3 core 10mm SWA

For rooftop deployment, Alifabs will deliver and install this unit and fix to associated rooftop frame. No additional plinths are required when this deployment is utilised.

For cabinet installation see Alifabs O&M document JSC MK3 - ASD258-A

For Cable Entry Plinth details see Alifabs Drg No. G-100134.

Weight (delivered) = 115KG

Root weight = 26 KG

Colour, light grey (RAL7035) other colours available on request.

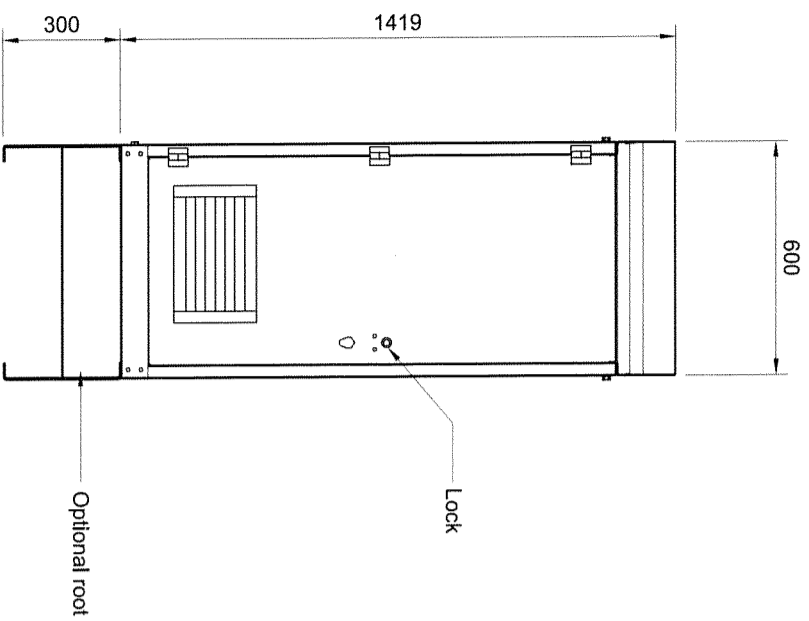
REV	DATE	DESCRIPTION	DWN
A	06.11.2013	First Issue	PM

CTL

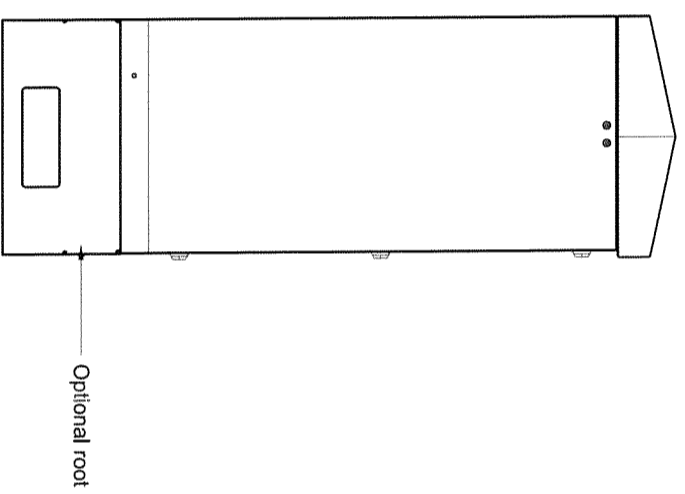
DRAWN:	CHECKED:	DATE:
PM	DC	06.11.2013

TITLE:	SCALE:
JSC MK3 ENCLOSURE EXTERNAL ELEVATION GA	1:20

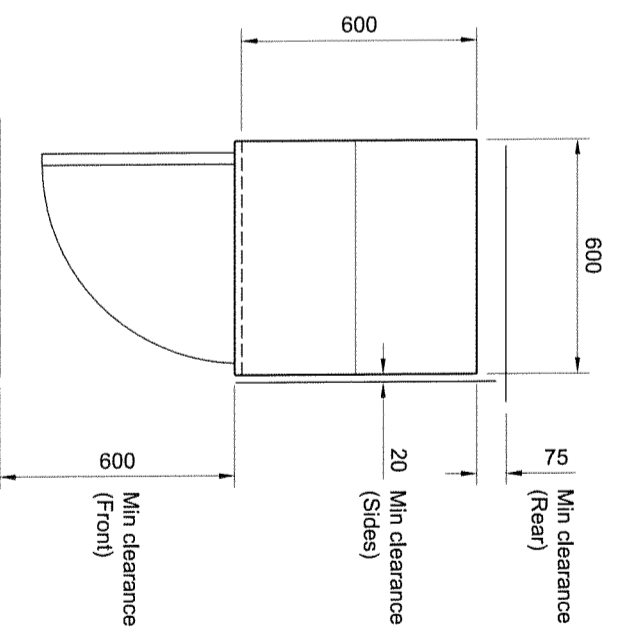
DRAWING No:	REV:
SDD2035	A



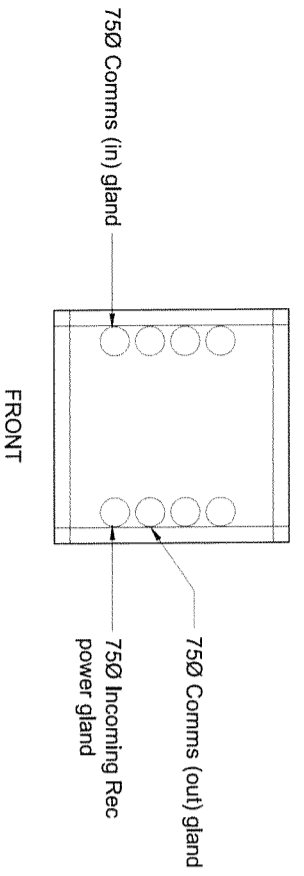
FRONT ELEVATION



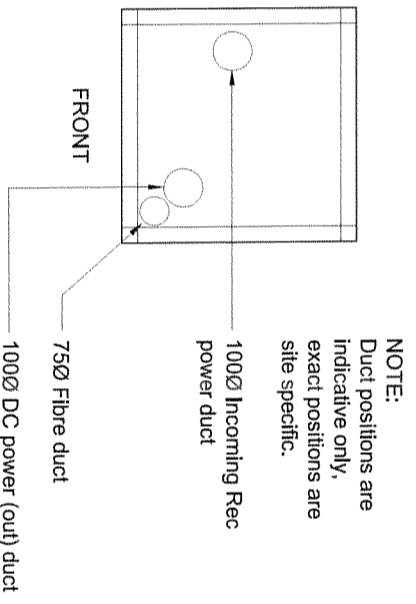
SIDE ELEVATION (Left)



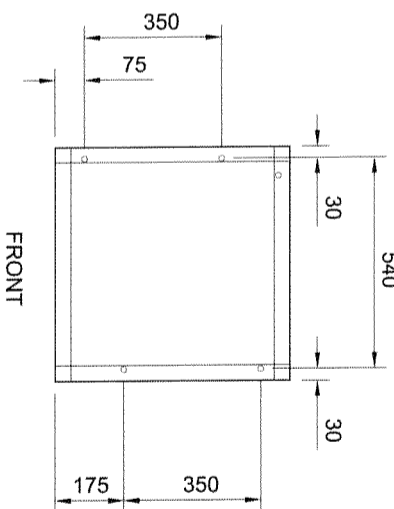
PLAN VIEW (Cabinet clearances)



PLAN VIEW (Grillage Gland Positions)



PLAN VIEW (with Root) (Greenfield/Streetworks Ducting Arrangement)



PLAN VIEW (Fixing positions)