

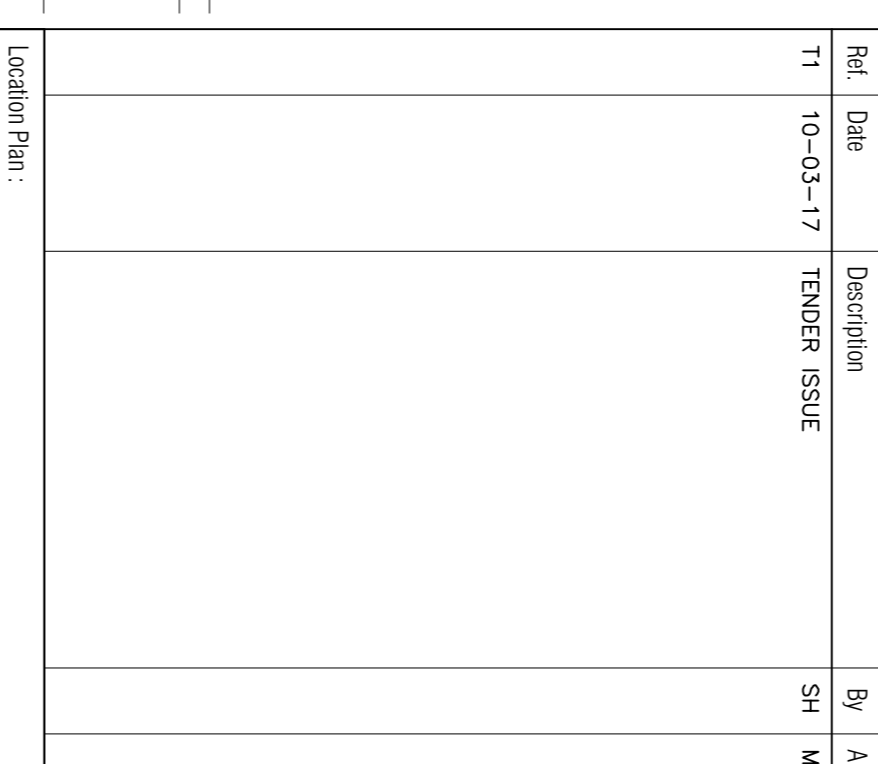
Notes:
 THIS DRAWING INDICATES ENGINEERING SERVICES AND WORK ONLY. ENGINEERING SERVICES ARE NOT ACCURATELY REPRESENTING ANY OTHER DETAIL.
 2. THIS DRAWING SHOWS THE DESIGN INTENT AND MUST NOT BE USED FOR INSTALLATION PURPOSES.

Legend:

---	EXISTING PREWORK WITHIN FLOOR VOID
- - -	NEW PREWORK WITHIN FLOOR VOID
---	NEW PREWORK WITHIN CEILING VOID
---	NEW PREWORK AT LOW LEVEL
○	EXISTING RADIATOR TO REMAIN
⊗	EXISTING MECHANICAL SERVICES
⊕	EXISTING WATER RISER TO REMAIN
⊖	THERMOSTATIC MIXING VALVE
⊙	BMS TEMPERATURE SENSOR
⊘	WMS WATER SERVICE
⊙	COLD WATER SERVICE
⊙	COLD WATER STORAGE TANK
⊙	HMS HOT WATER SERVICE
⊙	FEEDS DUCTED KITCHEN HOOD
⊙	WARNING PIPE
⊙	ISOLATING VALVE
⊙	DRAIN VALVE

Revisions:

Ref.	Date	Description	By	App
T1	10-03-17	TENDER ISSUE	SH	MB



Client:
 UNIVERSITY COLLEGE LONDON
 ESTATES
 LONDON
 W1E 6BT

Project:
 ARTHUR TATTERSALL HOUSE
 119-123 AND 125 GOWER STREET
 LONDON
 W1E 6AP

Project:
 SUMMER WORKS 2017

Title:
 LOWER GROUND FLOOR PLAN
 MECHANICAL SERVICES LAYOUT

Chartered Building Services Engineers
FOWLER MARTIN
 The British Institution
 ISO 9001 ISO 14001

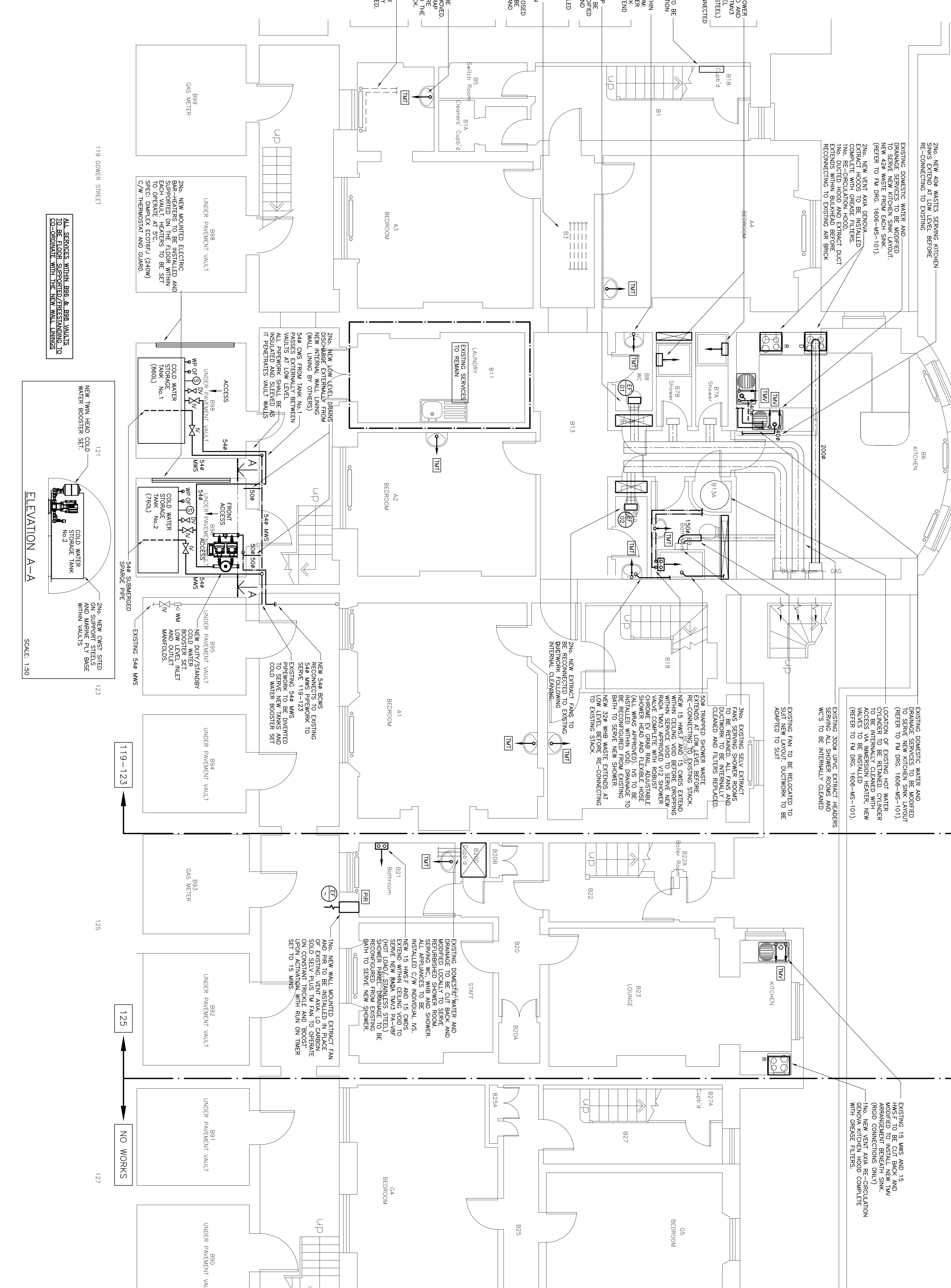
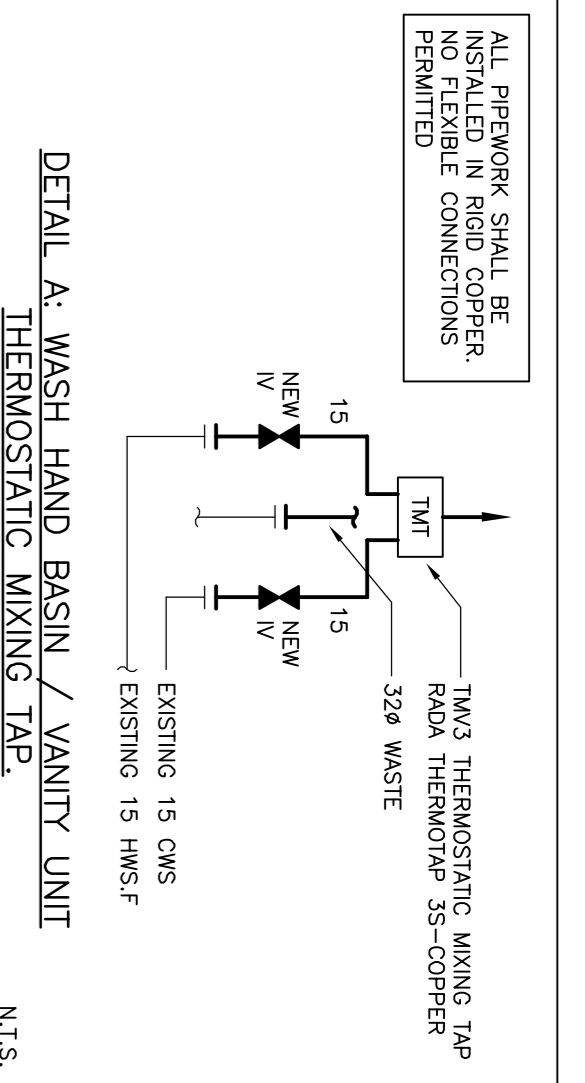
137 Gange Court, The Linde, High Wycombe, Bucks. HP12 3SR
 T 01773 551 802 F 01773 551 826
 E mail@fowlermartin.com W www.fowlermartin.com

Date:	10-03-17	Designed by:	SH
Paper Size:	A1	Approved by:	MB
Scale:	1:50	Drawn by:	DV
Proj. Ref.:	1606-MS-201 T1		

FAN SCHEDULE

REF.	TYPE	DUTY	COMMENTS
01	SQD Plus (T)	12 1/2 @ 40Pa	FAN TO BE CONTROLLED BY LIGHT SWITCH TO BOOST TO HIGH SPEED. FAN TO BE CONTINuously BUILT IN TIKER TO BE SET FOR 15 WMS.
02	SQD Plus (T)	12 1/2 @ 40Pa	FAN TO BE CONTROLLED BY LIGHT SWITCH TO BOOST TO HIGH SPEED. FAN TO BE CONTINuously BUILT IN TIKER TO BE SET FOR 15 WMS.

ALL FANS AND ACCESSORIES TO BE MANUFACTURED BY VENT-AXA.



119 GOWER STREET

ALL SERVICES WITHIN B96 & B98 VAULTS TO BE MAINTAINED AND NO FLEXIBLE CONNECTIONS TO CO-ORDINATE WITH THE NEW WALL LININGS

