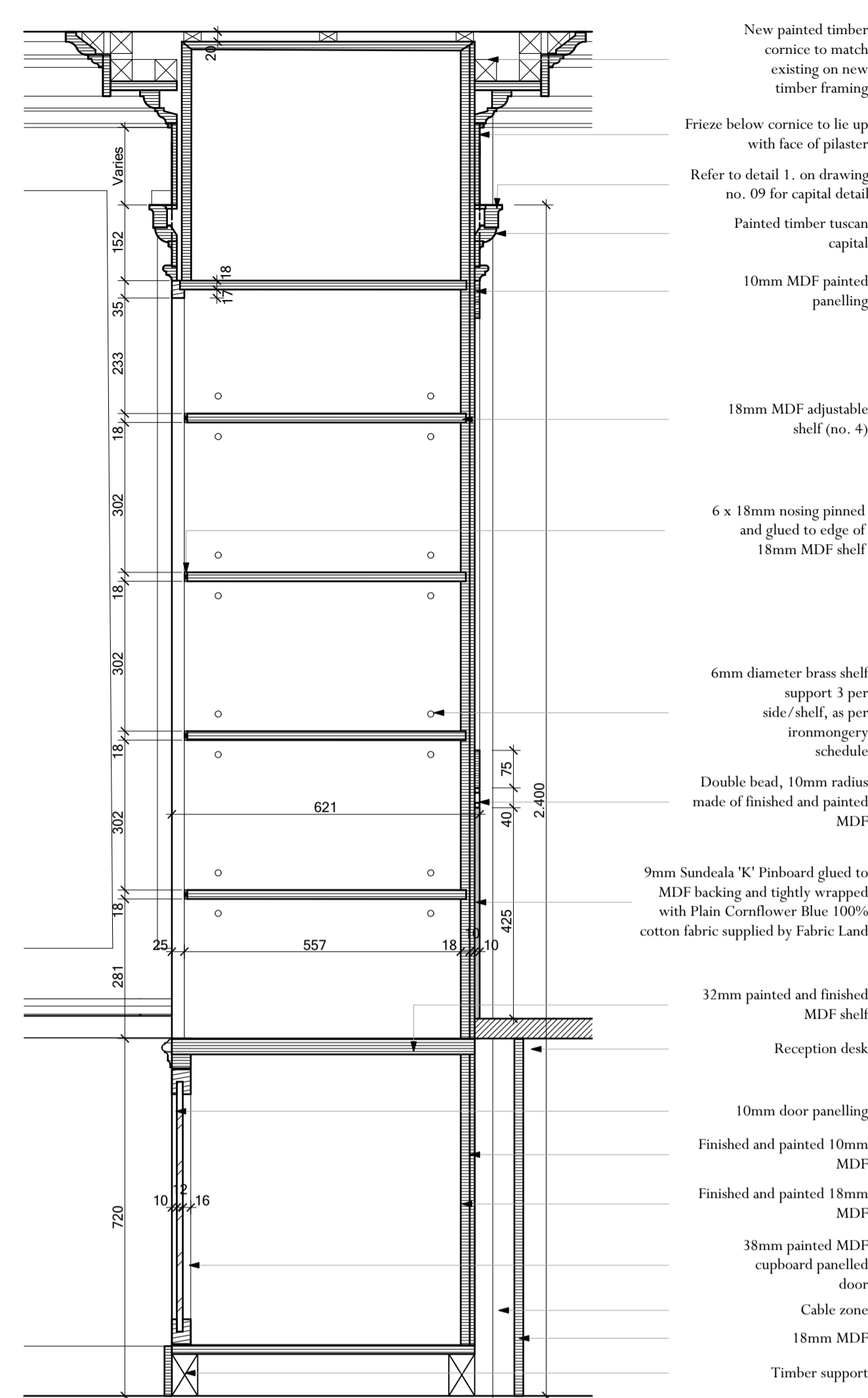
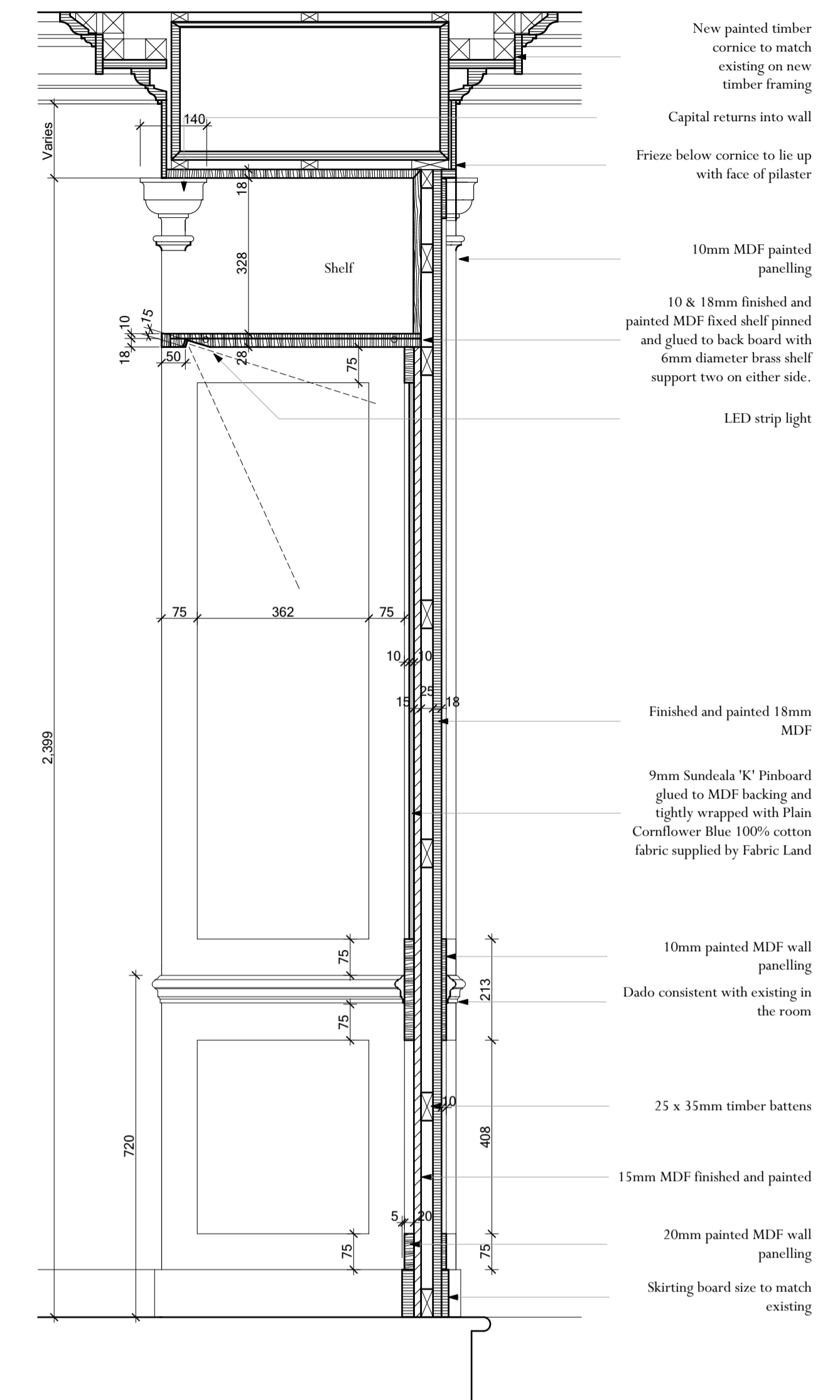


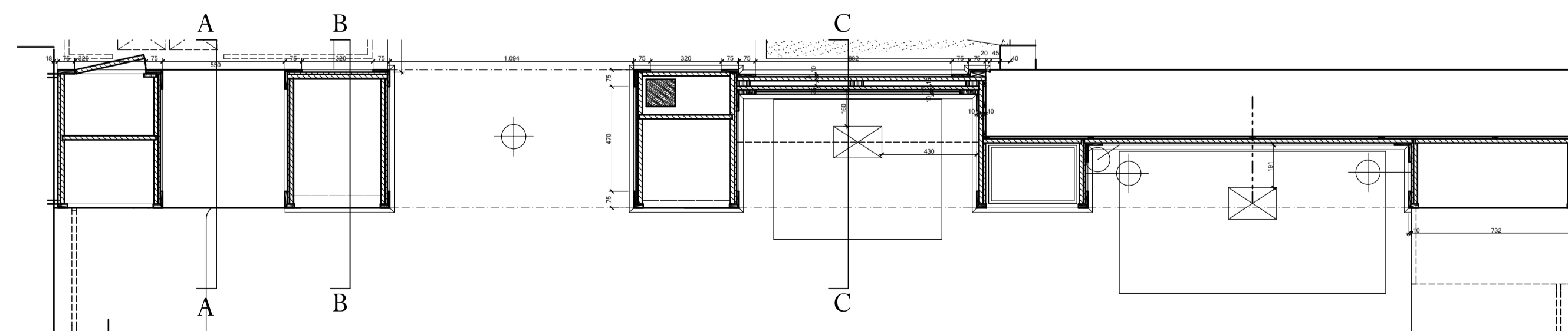
1:10 Dividing wall section A.A



1:10 Dividing wall section B.B



1:10 Dividing wall section C.C



1:20 Dividing wall plan

Rev	Date	Description	Initials
A	03.02.17	Issued for tender	

PROJECT: 6 Queen Square Refurbishment  
London

TITLE: Proposed Studio Shelving Sheet 2.

SCALE: 1:10/1:20 @ A1

DATE: Jan. 2017

DRAWING No: 5861 15 A

DRAWN BY: A.H.

**ADAM ARCHITECTURE**

OLD HYDE HOUSE, 75 HYDE STREET  
WINCHESTER, HAMPSHIRE, SO23 7DW  
TELEPHONE: 01962 843843 FACSIMILE: 01962 843303  
www.adamarchitecture.com contact@adamarchitecture.com

LONDON OFFICE: 6 QUEEN SQUARE, WC1N 3AT  
TELEPHONE: 020 7841 0140 FACSIMILE: 01962 843303  
ADAM ARCHITECTURE IS A TRADING NAME OF ADAM ARCHITECTURE LIMITED