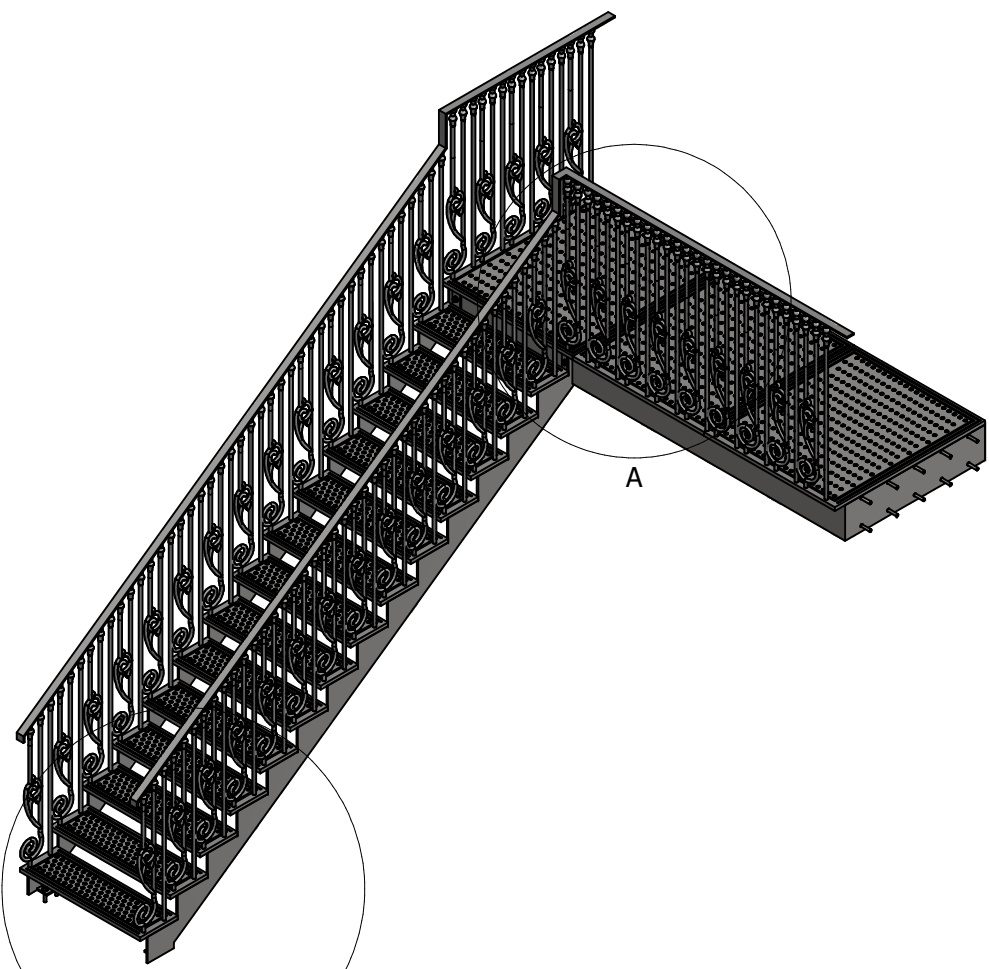


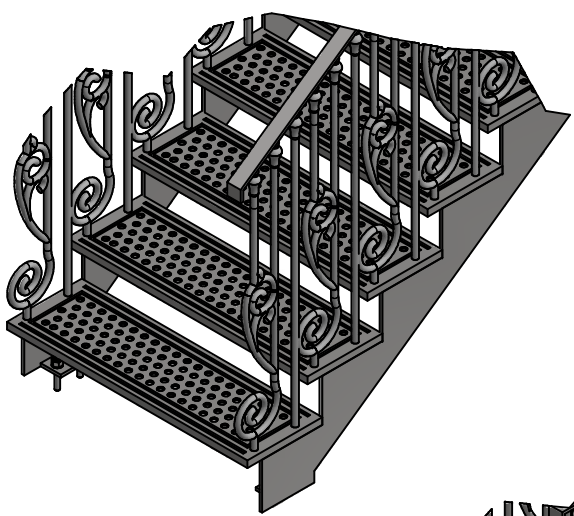
NOTES: (UNLESS OTHERWISE STATED)

1. MATERIAL: MILD STEEL S275 SUBGRADE JR UNLESS OTHERWISE STATED
2. FINISH: BLASTED AND PRIMED TOP COAT BY OTHERS
3. REMOVE BURRS AND SHARP EDGES
4. ALL BOLTS GRADE 8.8 CE MARKED BOLTS
5. ALL FABRICATION TO BE DONE TO EN 1090 EXECUTION CLASS 2
6. ALL BLASTING AND PAINTING DONE TO EN ISO 12944-5 ALL SITE WELDING TO BE WIRE BRUSHED AND RE PRIMER COATED
7. ALL MATERIAL TO BE CE MARKED UNLESS OTHERWISE STATED
8. ALL WELDS TO BE 5mm FILLET OR 4mm V BUTT MINIMUM UNLESS OTHERWISE STATED

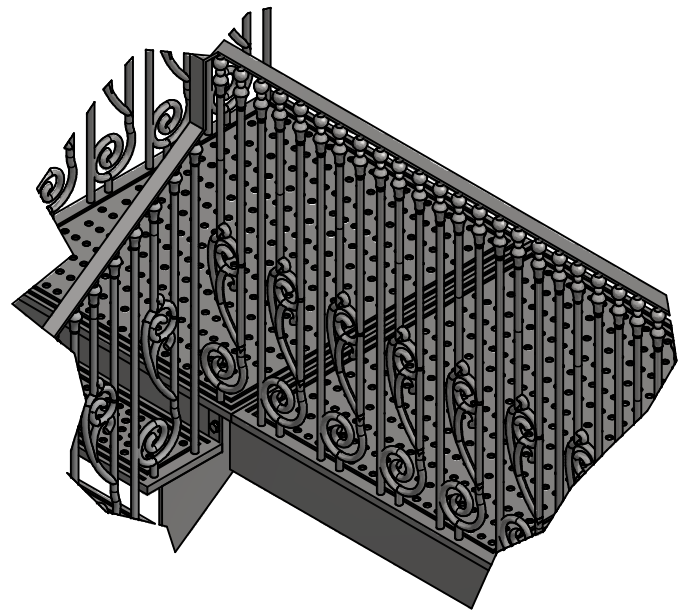
REVISION HISTORY		
REV	DESCRIPTION	DATE
1	INITIAL DESIGN	18/07/2016
2	SITE DIMENSIONS ADDED	9/27/2016
3	SECOND SET OF SITE DIMENSIONS ADDED	10/3/2016
4	TREADS AND LANDING PLATE UPDATED	12/16/2016
5	STAIR ANGLE CHANGED TO CLOSE GAPS UP	12/19/2016



B (1 : 10)

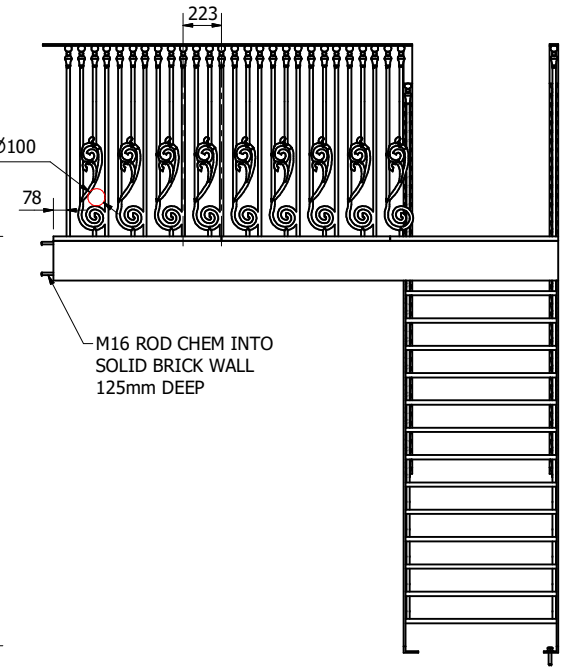
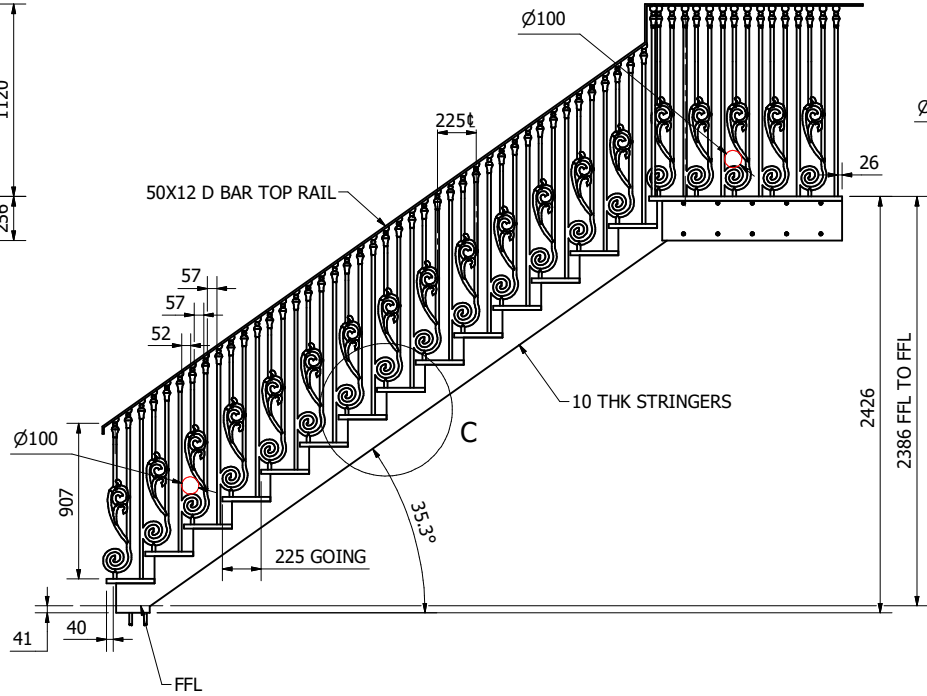
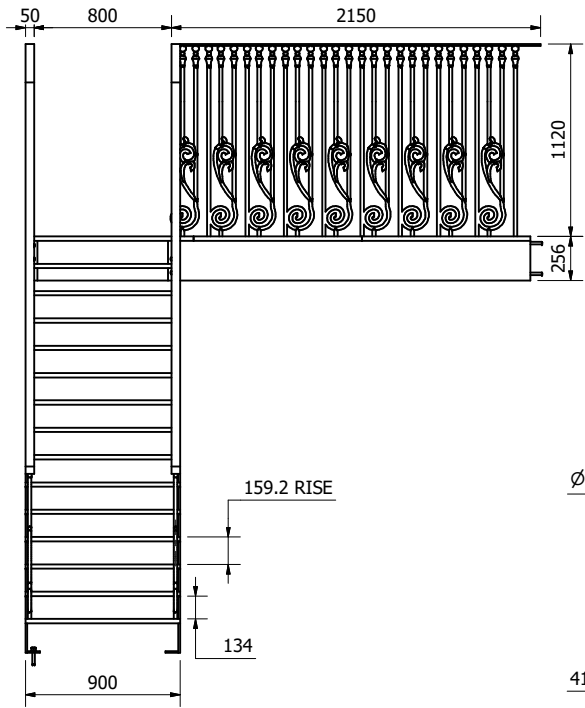
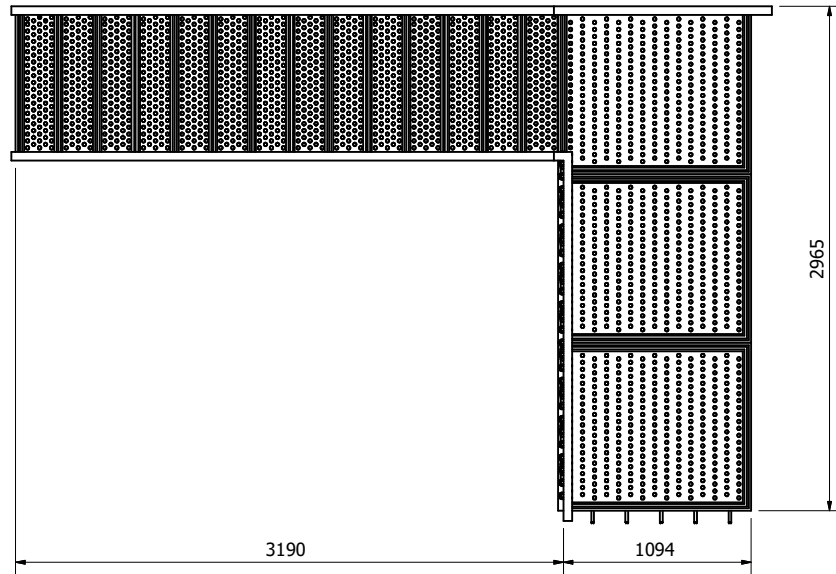
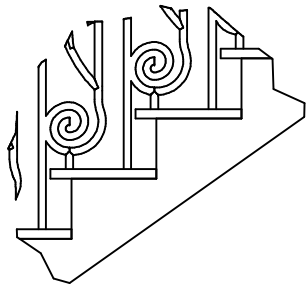


A (1 : 10)

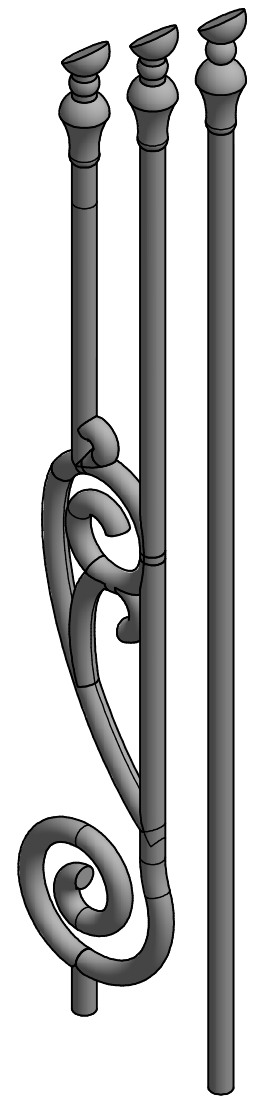
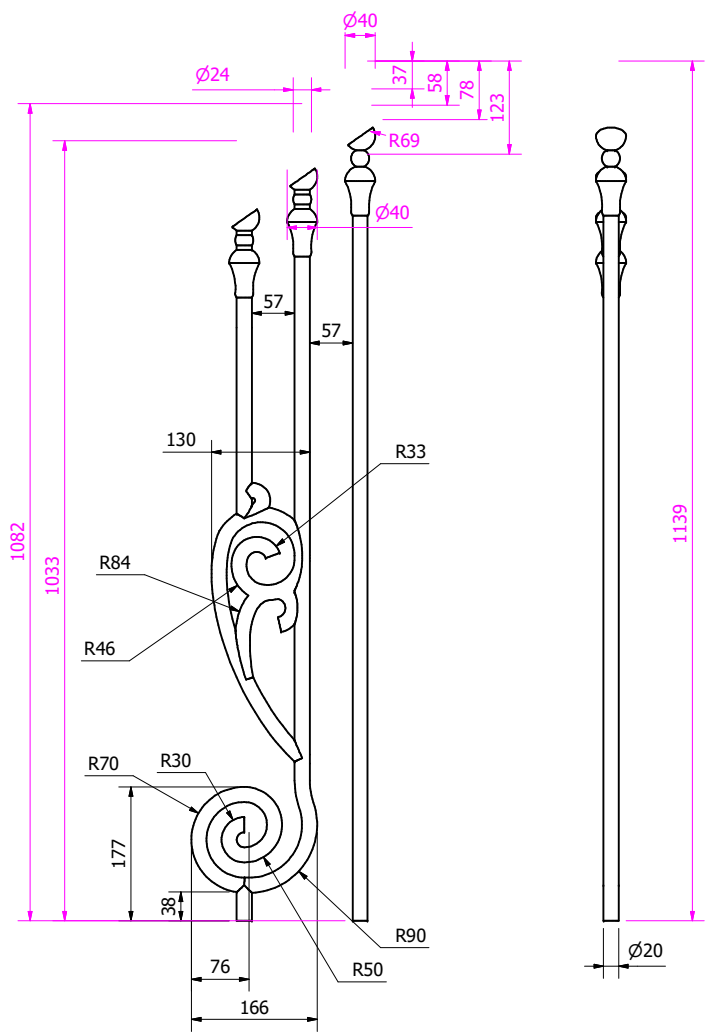
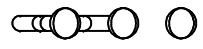


File Name stair ga	Scale ON VIEW	Project HOME RUN SERVICES	Mass N/A
© Creighton & Son This document is supplied in confidence and may not be reproduced in whole or in any part or form without written permission from Creighton & Son Ltd	Dimensions in mm DO NOT SCALE DRAWING Tolerances: Angular: ± 0.5° Linear: 0 ± 1.0 0.0 ± 0.5 0.00 ± 0.1 UNLESS OTHERWISE STATED	Designed by laptop Date 7/18/2016 Latest Rev by P.D Date 7/17/2016 Checked by HOME RUN Date 7/18/2016 Approved by HOME RUN Date 7/18/2016	Title STAIR GA Revision 5 Sheet 1 / 7
		Creighton & Son 2 Parr Road Stanmore, U.K Ph: 020 8952 9252 e-mail: sales@creightonandson.com	Tag No. 10876

C (1 : 10)

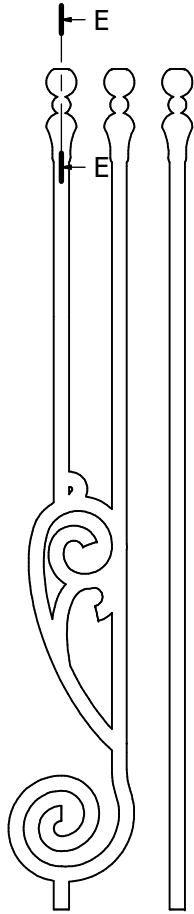


File Name stair ga	Scale ON VIEW	Project HOME RUN SERVICES	Mass N/A
© Creighton & Son This document is supplied in confidence and may not be reproduced in whole or in any part or form without written permission from Creighton & Son Ltd	Dimensions in mm DO NOT SCALE DRAWING Tolerances: Angular: ± 0.5° Linear: 0 ± 1.0 0.0 ± 0.5 0.00 ± 0.1 UNLESS OTHERWISE STATED	Designed by laptop	Date 7/18/2016
		Latest Rev by P.D	Date 7/17/2016
		Checked by HOME RUN	Date 7/18/2016
		Approved by HOME RUN	Date 7/18/2016
		Title STAIR GA	
		Creighton & Son 2 Parr Road Stanmore, U.K Ph: 020 8952 8252 e-mail: sales@creightonandson.com	Revision 5
		Day/Log No. 10876	Sheet 2 / 7

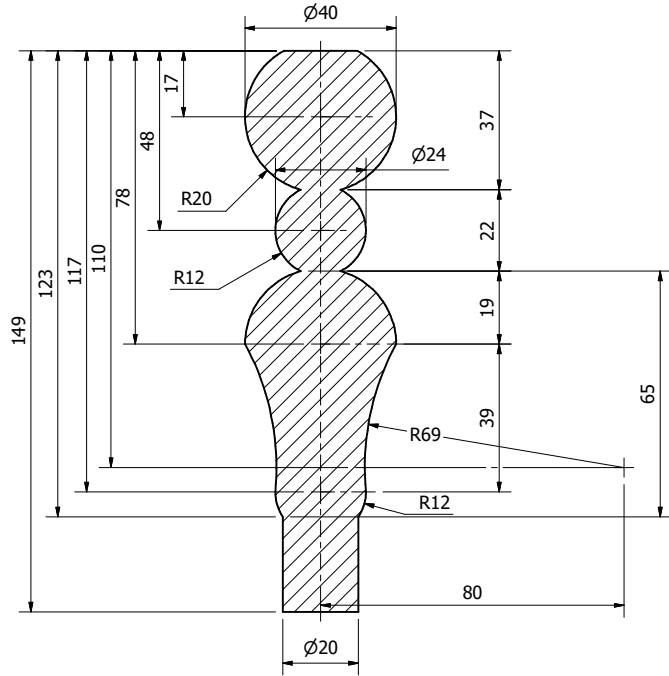


MILD STEEL S235
QTY 44 REQUIRED

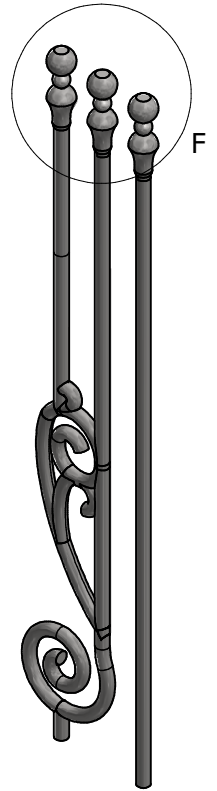
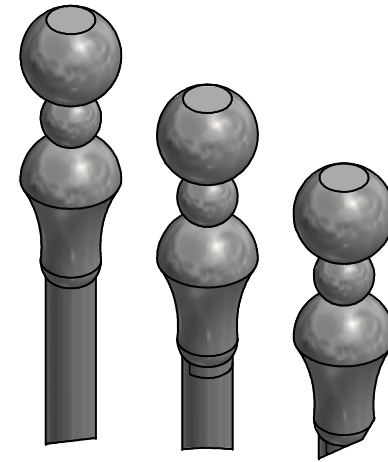
File Name stair ga	Scale ON VIEW	Project HOME RUN SERVICES	Mass 1.23 kg
© Creighton & Son This document is supplied in confidence and may not be reproduced in whole or in any part or form without written permission from Creighton & Son Ltd	Dimensions in mm DO NOT SCALE DRAWING Tolerances: Angular: ± 0.5° Linear: 0 ± 1.0 0.0 ± 0.5 0.00 ± 0.1 UNLESS OTHERWISE STATED	Designed by laptop	Date 7/18/2016
		Latest Rev by P.D	Date 7/17/2016
		Checked by HOME RUN	Date 7/18/2016
		Approved by HOME RUN	Date 7/18/2016
		Title STAIR GA	
		Creighton & Son 2 Parr Road Stammore, U.K Ph: 020 8952 9252 e-mail: sales@creightonandson.com	Draw/Log No. 10876
		Revision 5	Sheet 3 / 7



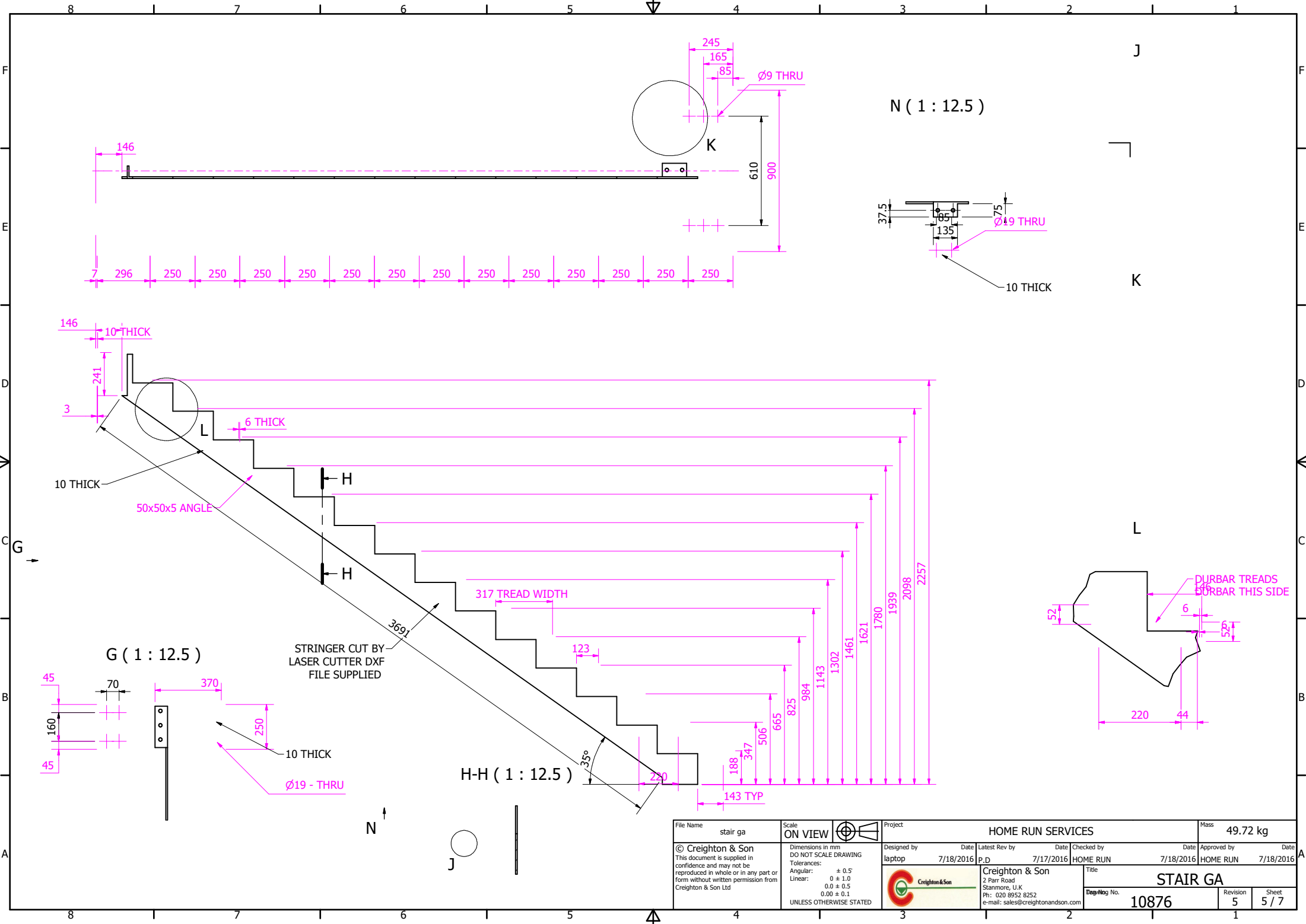
E-E (1:1)



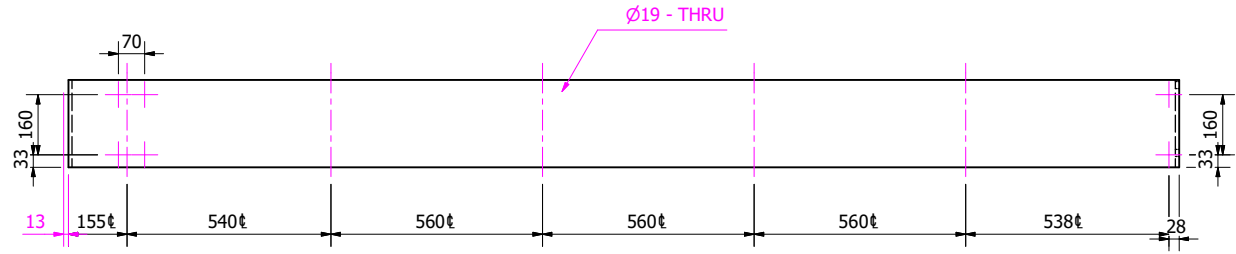
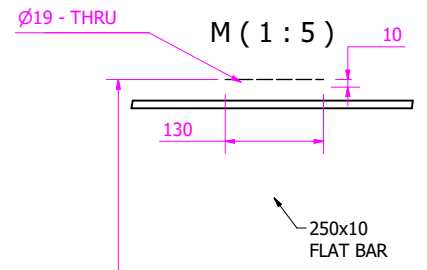
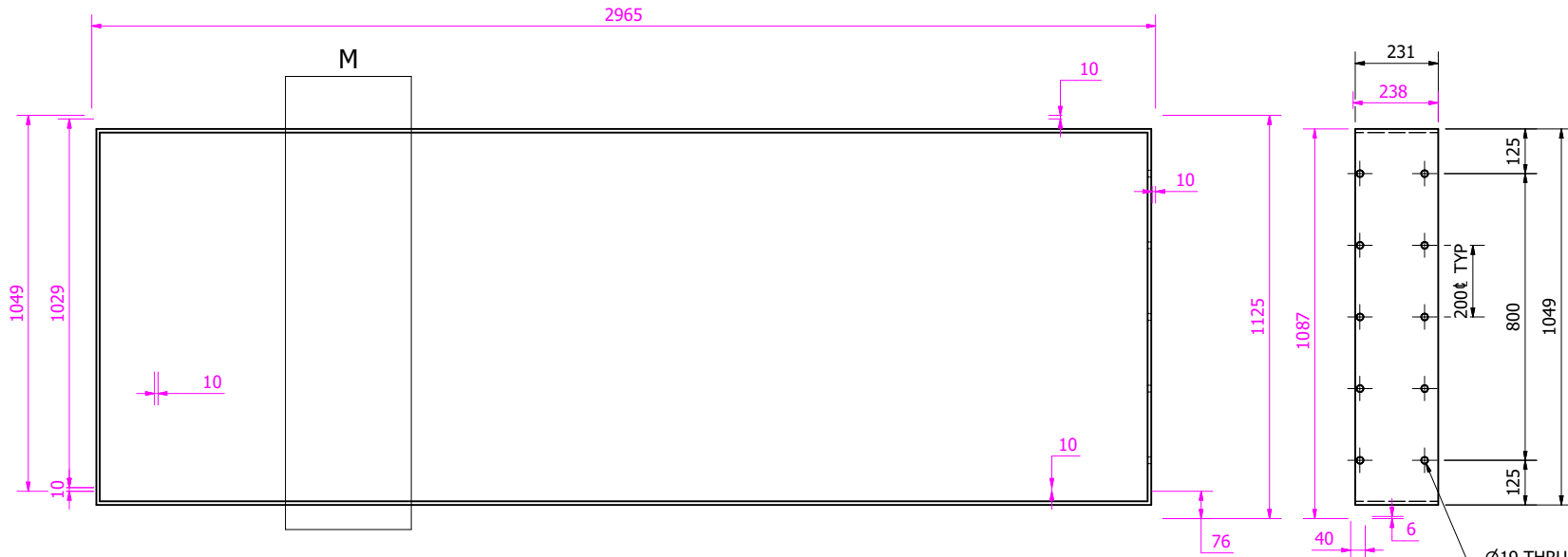
F (1:1.5)



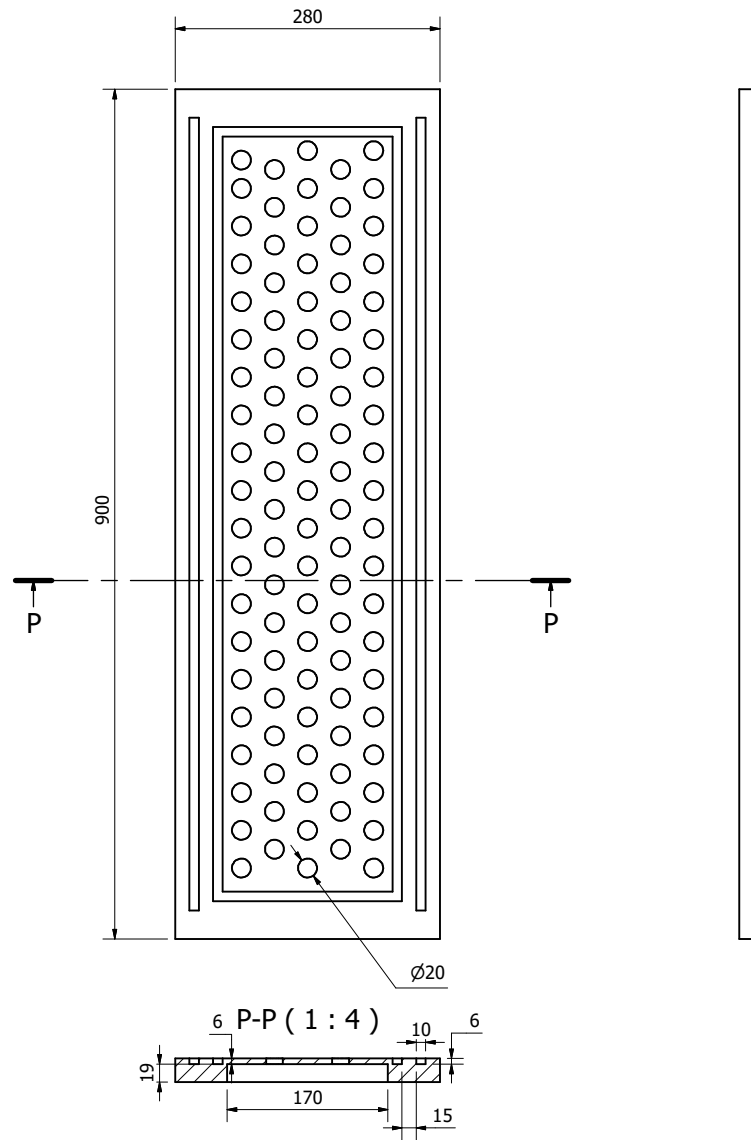
File Name stair ga	Scale ON VIEW	Project HOME RUN SERVICES	Mass 10.89 kg
© Creighton & Son This document is supplied in confidence and may not be reproduced in whole or in any part or form without written permission from Creighton & Son Ltd	Dimensions in mm DO NOT SCALE DRAWING Tolerances: Angular: ± 0.5° Linear: 0 ± 1.0 0.0 ± 0.5 0.00 ± 0.1 UNLESS OTHERWISE STATED	Designed by laptop	Date 7/18/2016
		Latest Rev by P.D	Date 7/17/2016
		Checked by HOME RUN	Date 7/18/2016
		Approved by HOME RUN	Date 7/18/2016
		Title STAIR GA	
		Creighton & Son 2 Parr Road Stanmore, U.K Ph: 020 8952 9252 e-mail: sales@creightonandson.com	Day/No. No. 10876
		Revision 5	Sheet 4 / 7



File Name stair ga	Scale ON VIEW	Project HOME RUN SERVICES	Mass 49.72 kg
© Creighton & Son This document is supplied in confidence and may not be reproduced in whole or in any part or form without written permission from Creighton & Son Ltd	Dimensions in mm DO NOT SCALE DRAWING Tolerances: Angular: ± 0.5° Linear: 0 ± 1.0 0.0 ± 0.5 0.00 ± 0.1 UNLESS OTHERWISE STATED	Designed by laptop	Date 7/18/2016
		Latest Rev by P.D	Date 7/17/2016
		Checked by HOME RUN	Date 7/18/2016
		Approved by HOME RUN	Date 7/18/2016
		Title STAIR GA	
		Creighton & Son 2 Parr Road Stannmore, U.K Ph: 020 8952 8252 e-mail: sales@creightonandson.com	Revision 5
		Draw/Log No. 10876	Sheet 5 / 7



File Name stair ga	Scale ON VIEW	Project HOME RUN SERVICES	Mass 143.72 kg
© Creighton & Son This document is supplied in confidence and may not be reproduced in whole or in any part or form without written permission from Creighton & Son Ltd	Dimensions in mm DO NOT SCALE DRAWING Tolerances: Angular: ± 0.5° Linear: 0 ± 1.0 0.0 ± 0.5 0.00 ± 0.1 UNLESS OTHERWISE STATED	Designed by laptop Date 7/18/2016 Latest Rev by P.D Date 7/17/2016 Checked by HOME RUN Date 7/18/2016 Approved by HOME RUN Date 7/18/2016	Approved by HOME RUN Date 7/18/2016
Creighton & Son 2 Parr Road Stanmore, U.K Ph: 020 8952 8252 e-mail: sales@creightonandson.com		Title STAIR GA	
Day/Log No. 10876		Revision 5	Sheet 6 / 7



File Name stair ga	Scale ON VIEW	Project HOME RUN SERVICES	Mass 26.24 kg
© Creighton & Son This document is supplied in confidence and may not be reproduced in whole or in any part or form without written permission from Creighton & Son Ltd	Dimensions in mm DO NOT SCALE DRAWING Tolerances: Angular: ± 0.5° Linear: 0 ± 1.0 0.0 ± 0.5 0.00 ± 0.1 UNLESS OTHERWISE STATED	Designed by laptop	Date 7/18/2016
		Latest Rev by P.D	Date 7/17/2016
		Checked by HOME RUN	Date 7/18/2016
		Approved by HOME RUN	Date 7/18/2016
		Title STAIR GA	
		Draw/Log No. 10876	Revision 5
		Sheet 7 / 7	