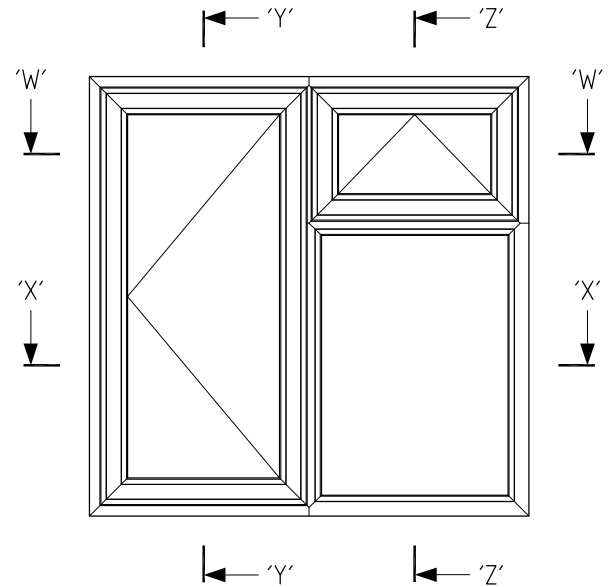
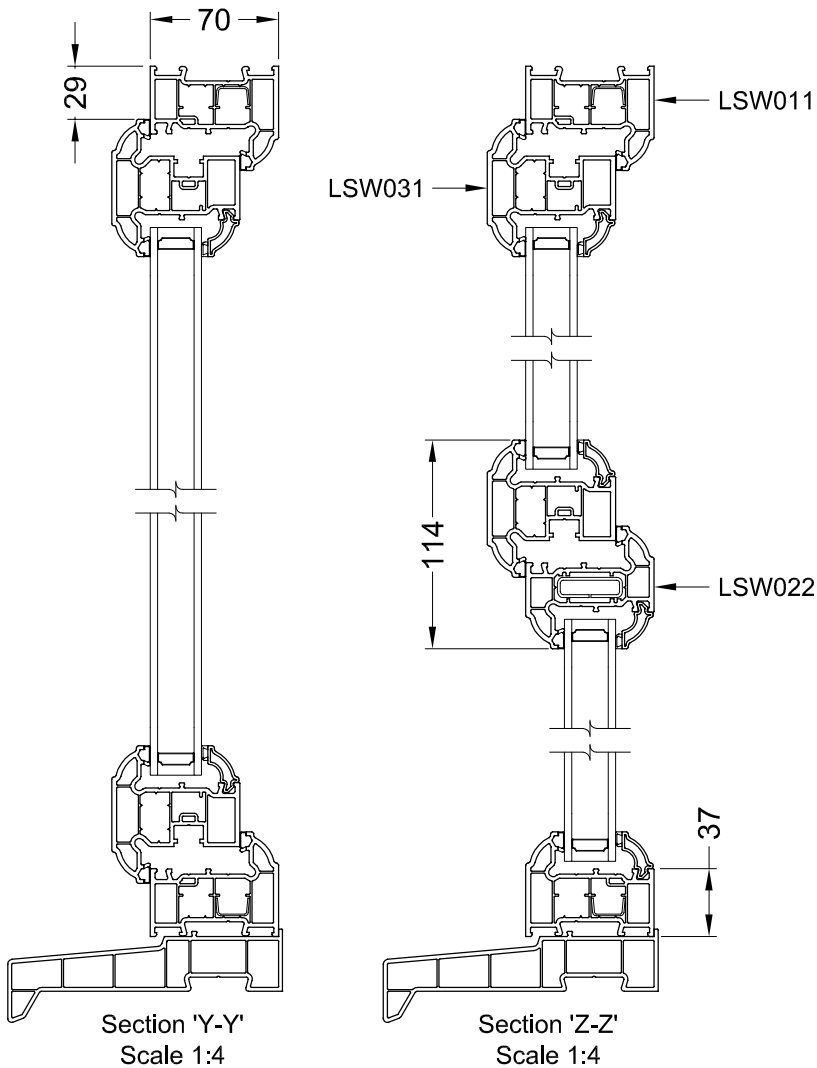


TYPICAL ASSEMBLIES

Internally Glazed Sculptured Casements



Typical Elevation
(Viewed from outside)
Scale 1:20

Reinforcement shown is for indicative illustrational purposes only. Please refer to Liniar's current fabrication manual for reinforcement guidelines

