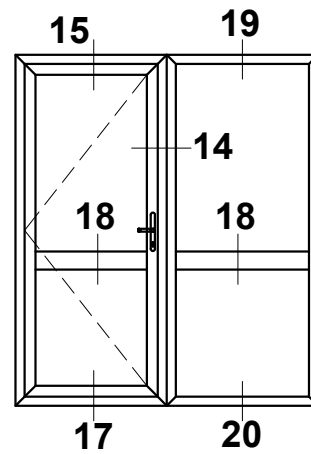
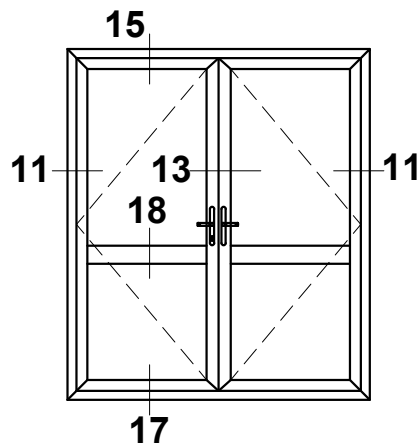
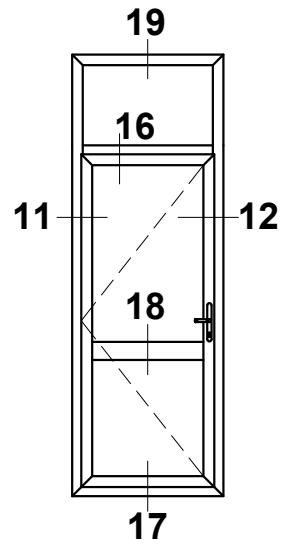
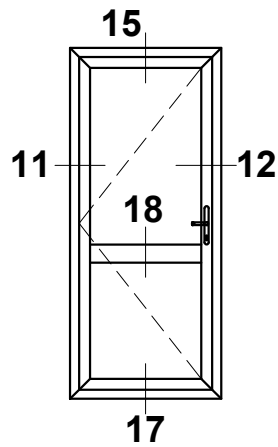
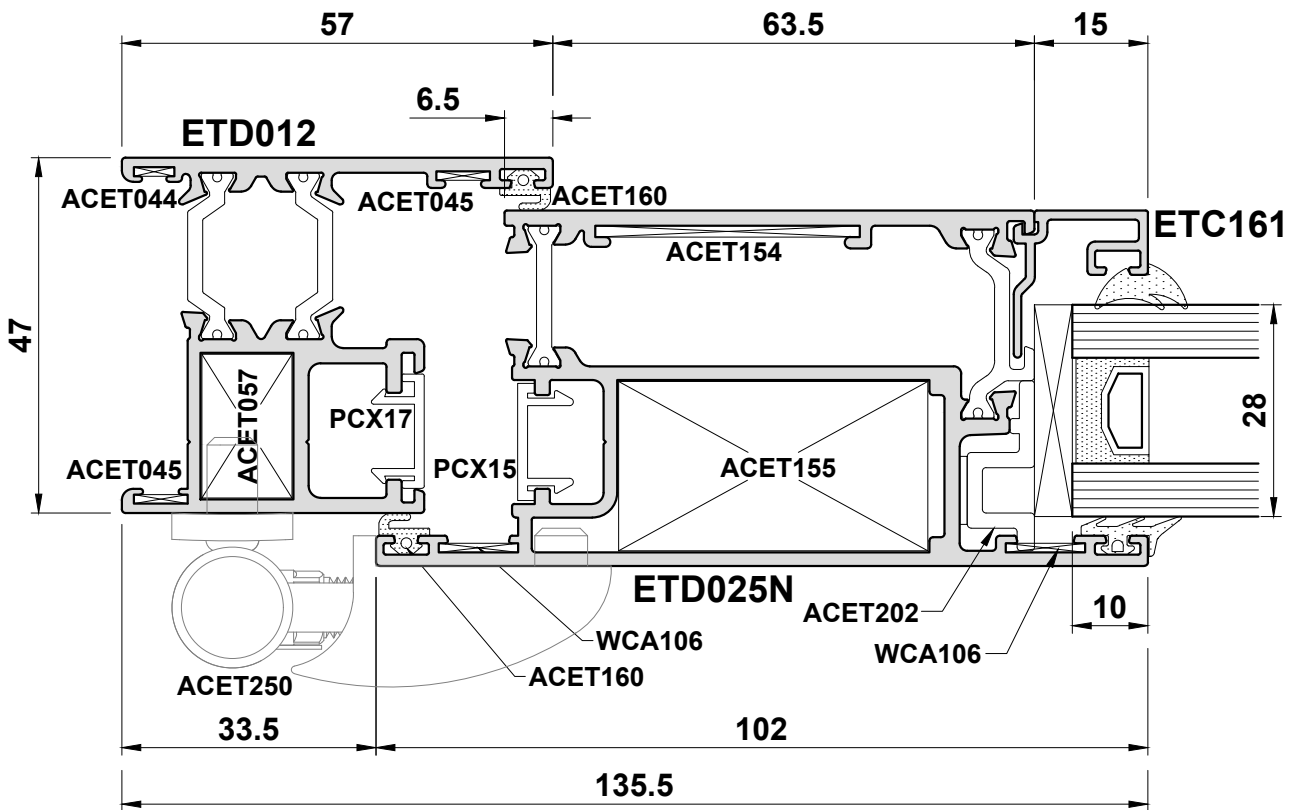
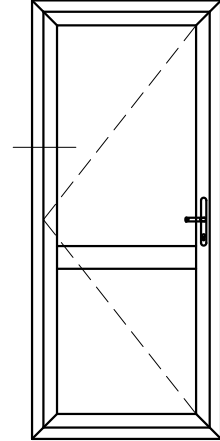


Open Out



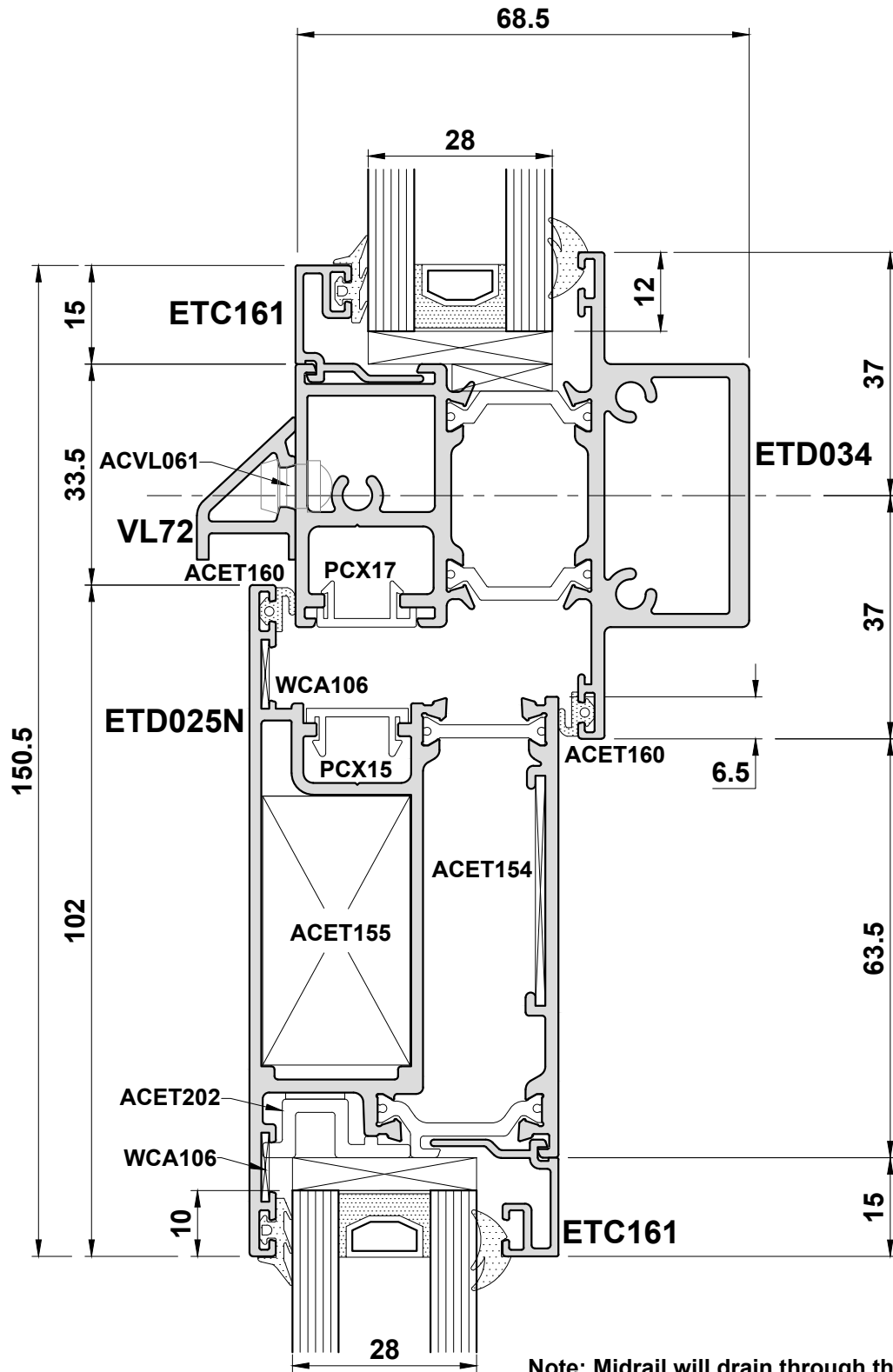
Do Not Scale From This Drawing

Detail 11A



Do Not Scale From This Drawing

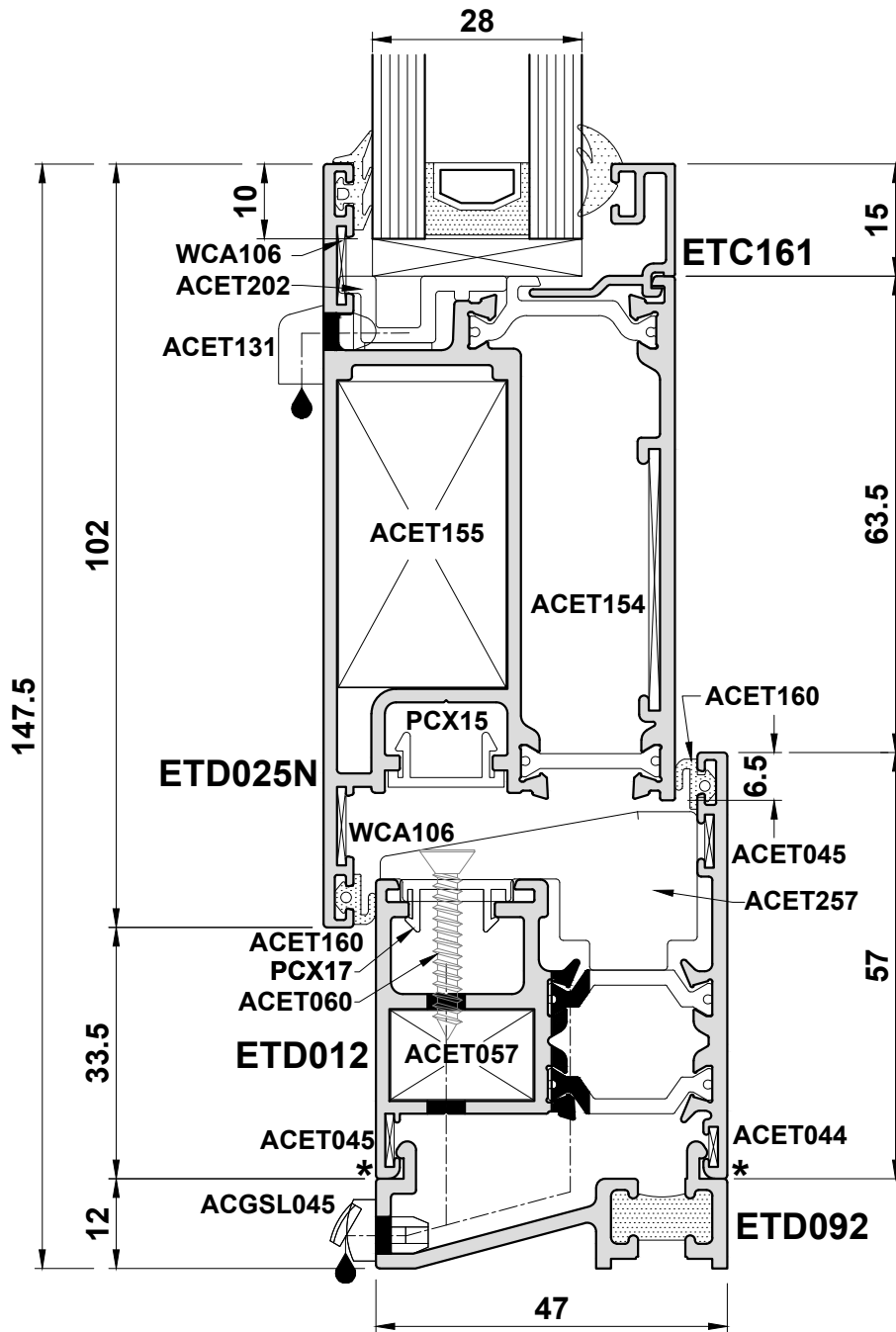
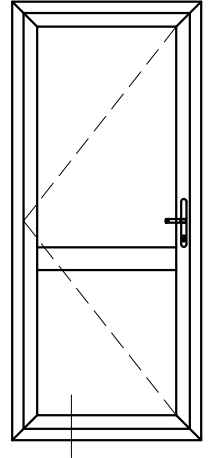
Detail 16A



Note: Midrail will drain through the joint to the stiles.

Do Not Scale From This Drawing

Detail 17A



Do Not Scale From This Drawing