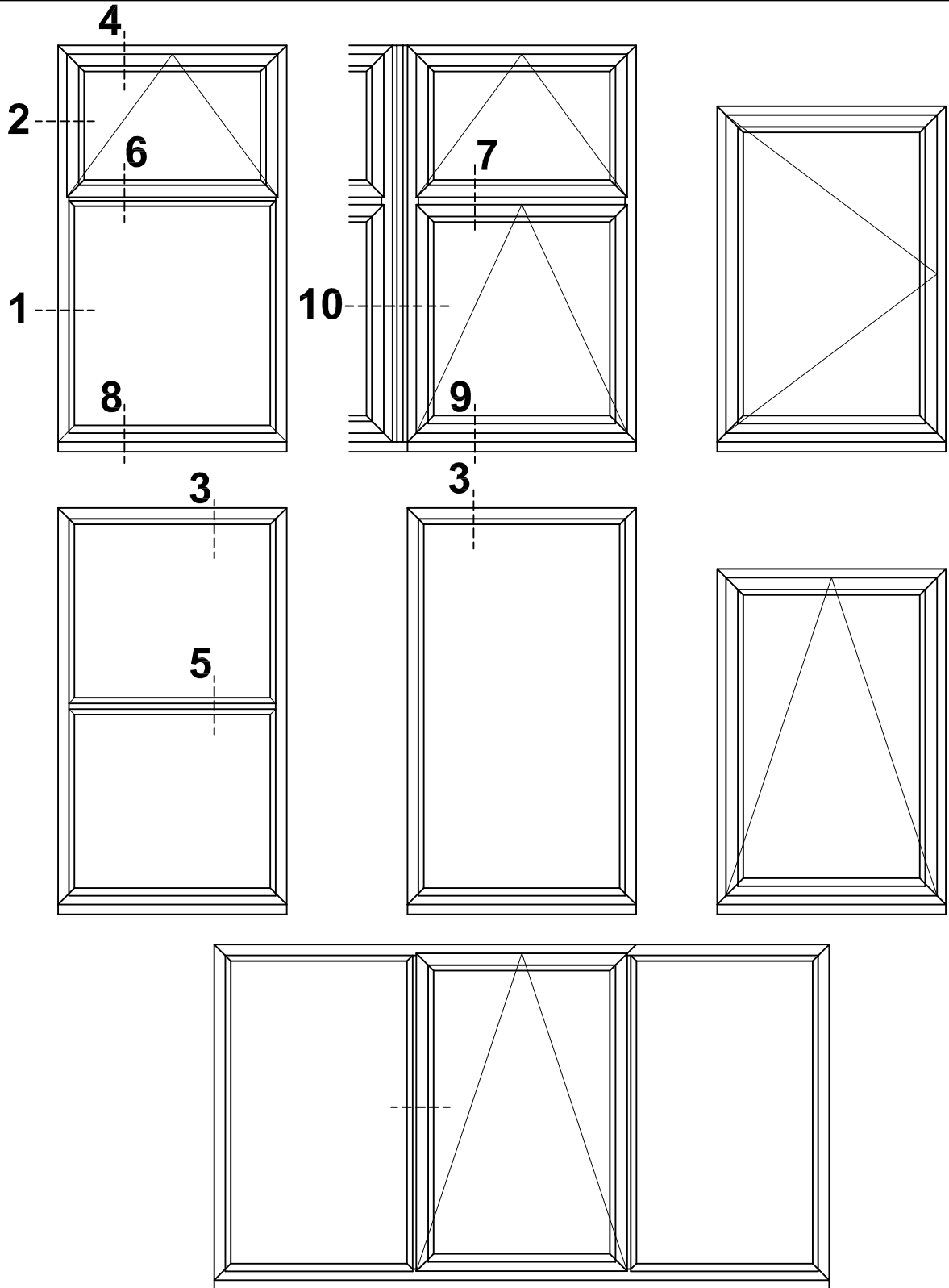
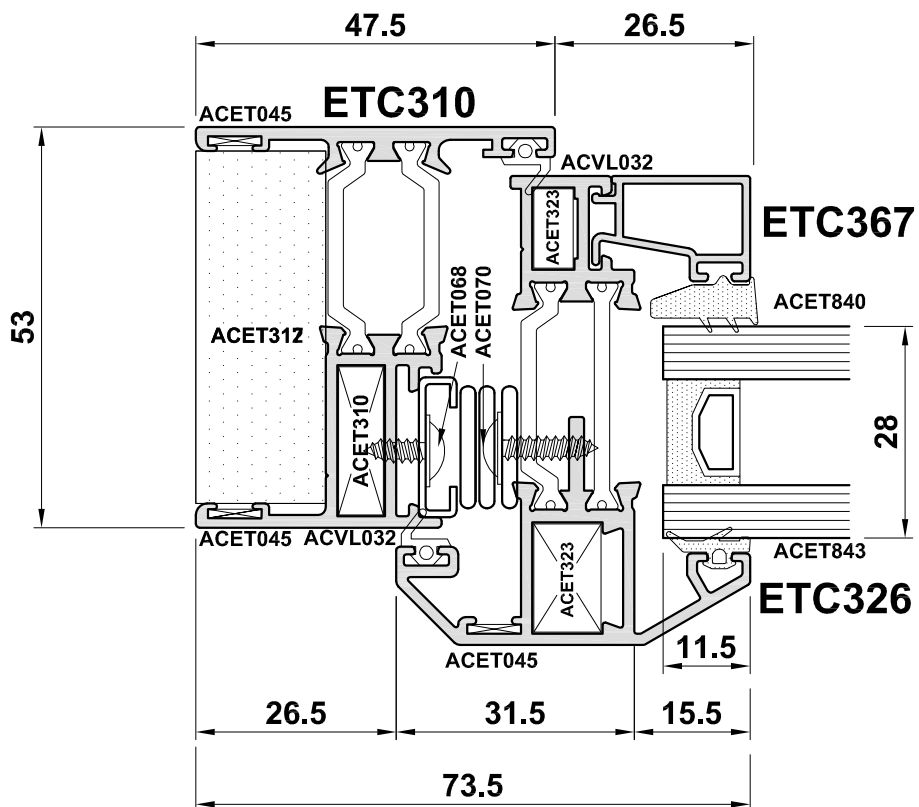
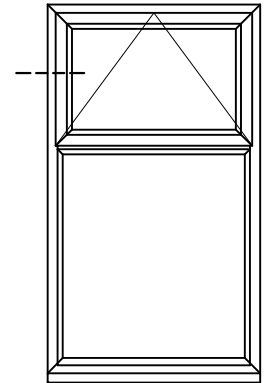


**Scale Elevations**



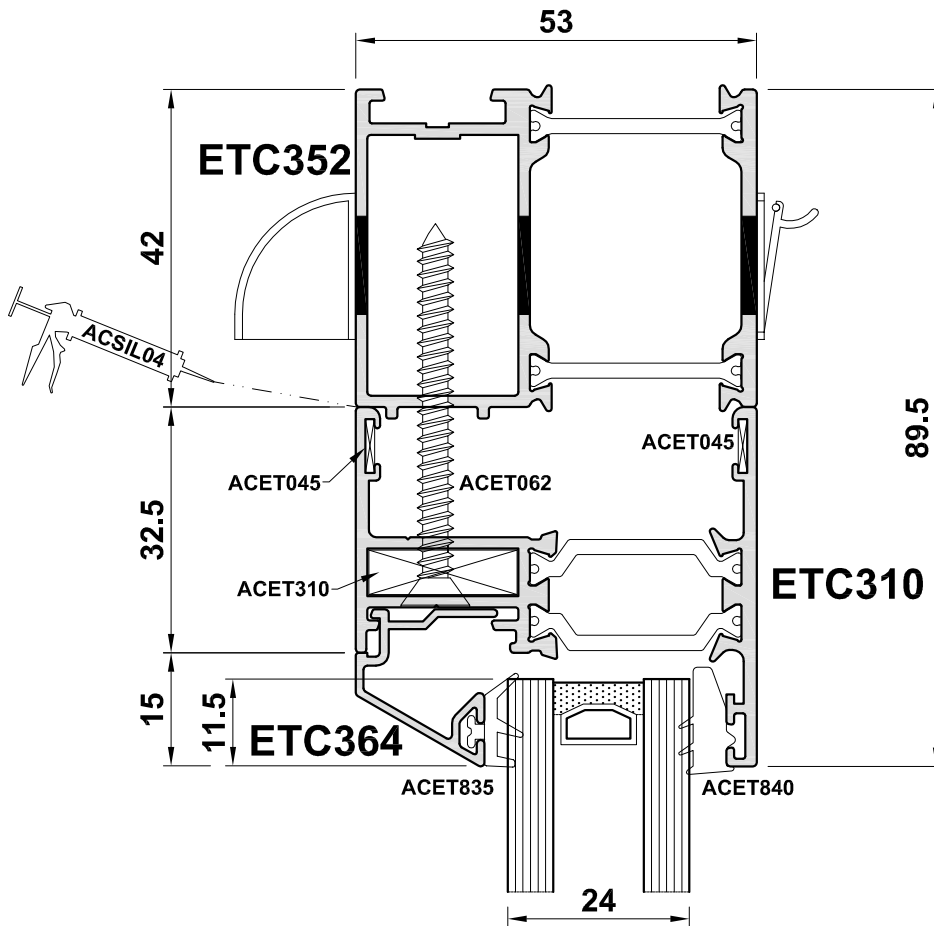
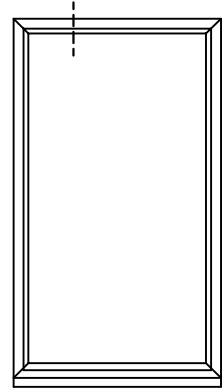
**Do Not Scale From This Drawing**

**Detail 2B**



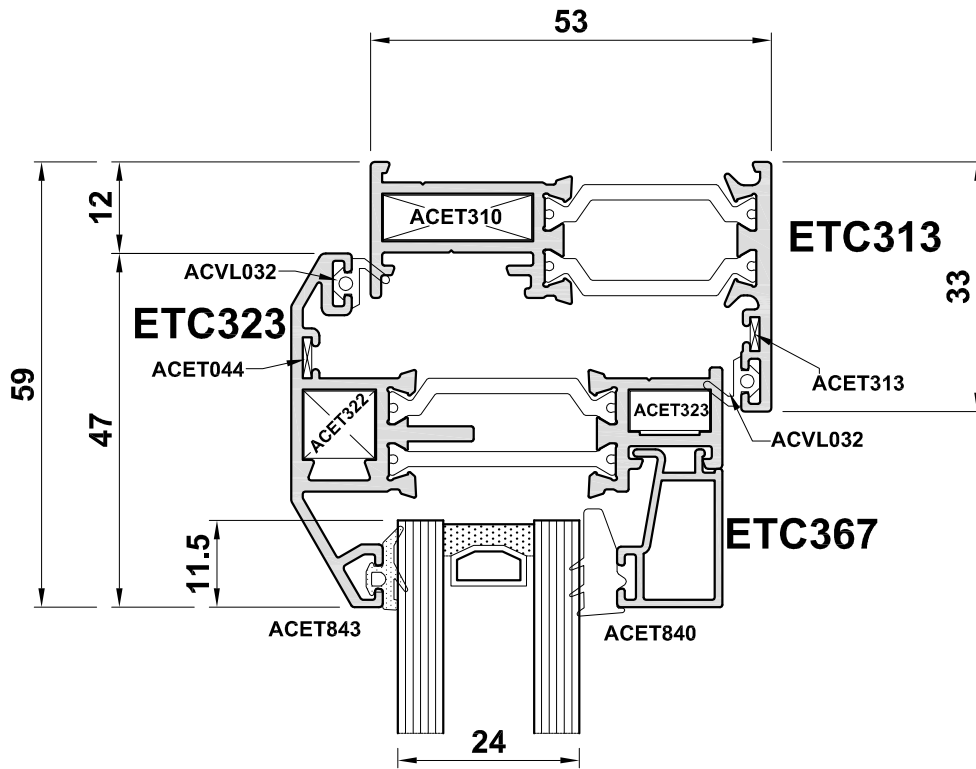
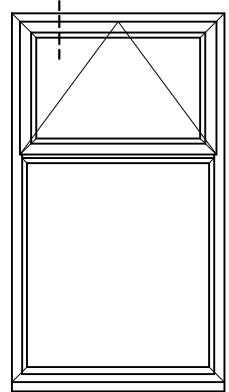
**Do Not Scale From This Drawing**

**Detail 3B**



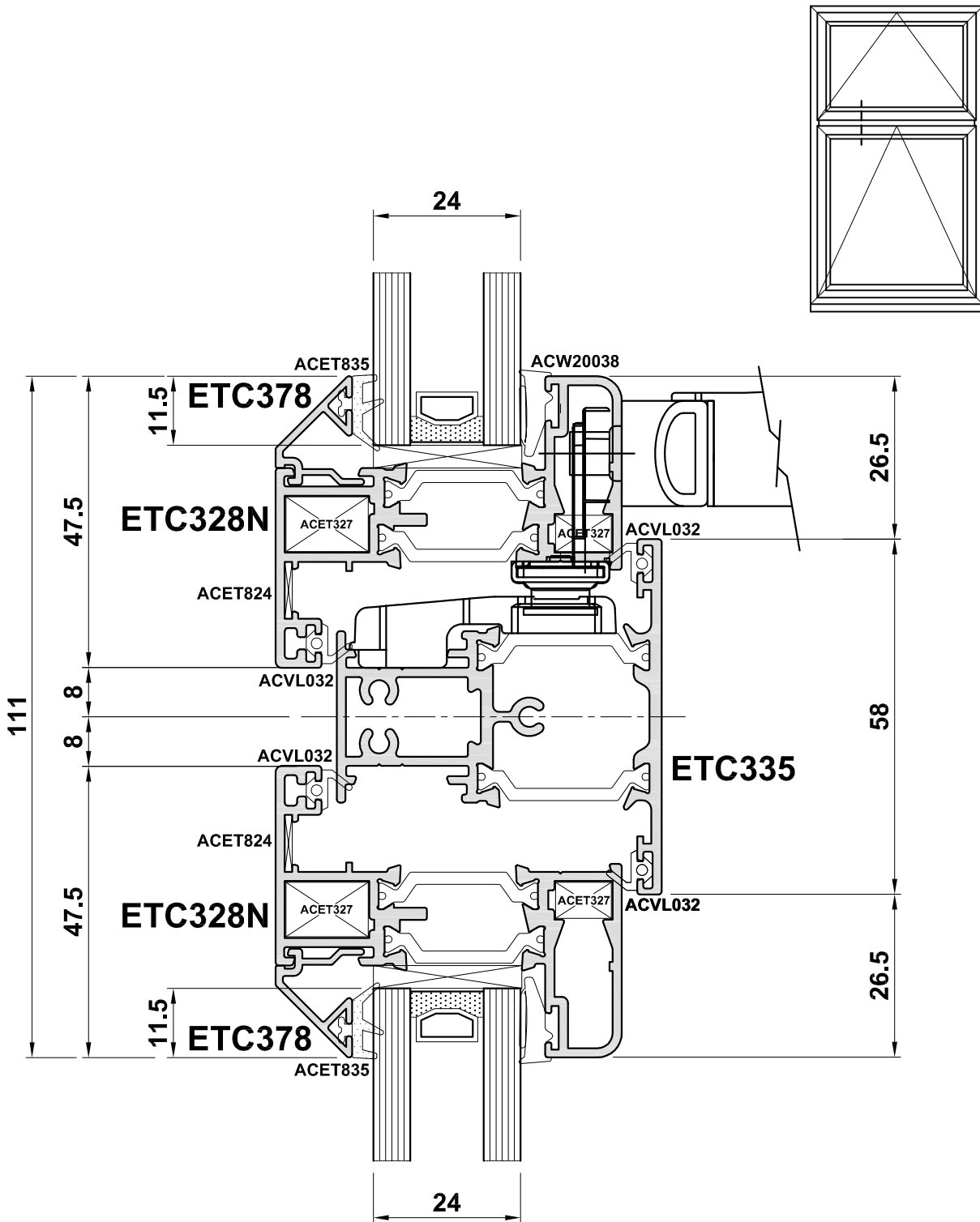
**Do Not Scale From This Drawing**

**Detail 4B**



**Do Not Scale From This Drawing**

**Detail 7E**



**Note:** Transoms will drain through the join to the outerframe.

**Do Not Scale From This Drawing**