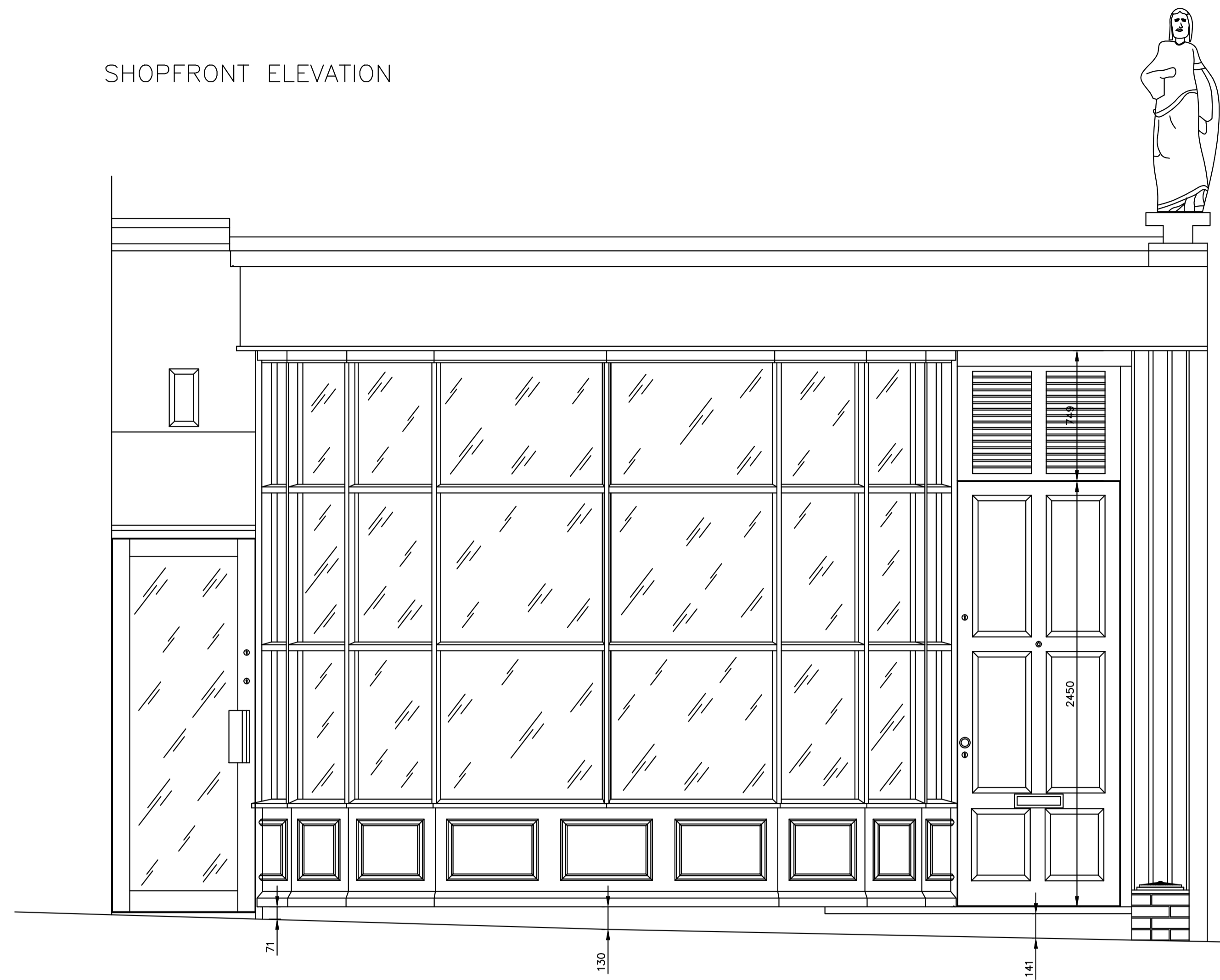
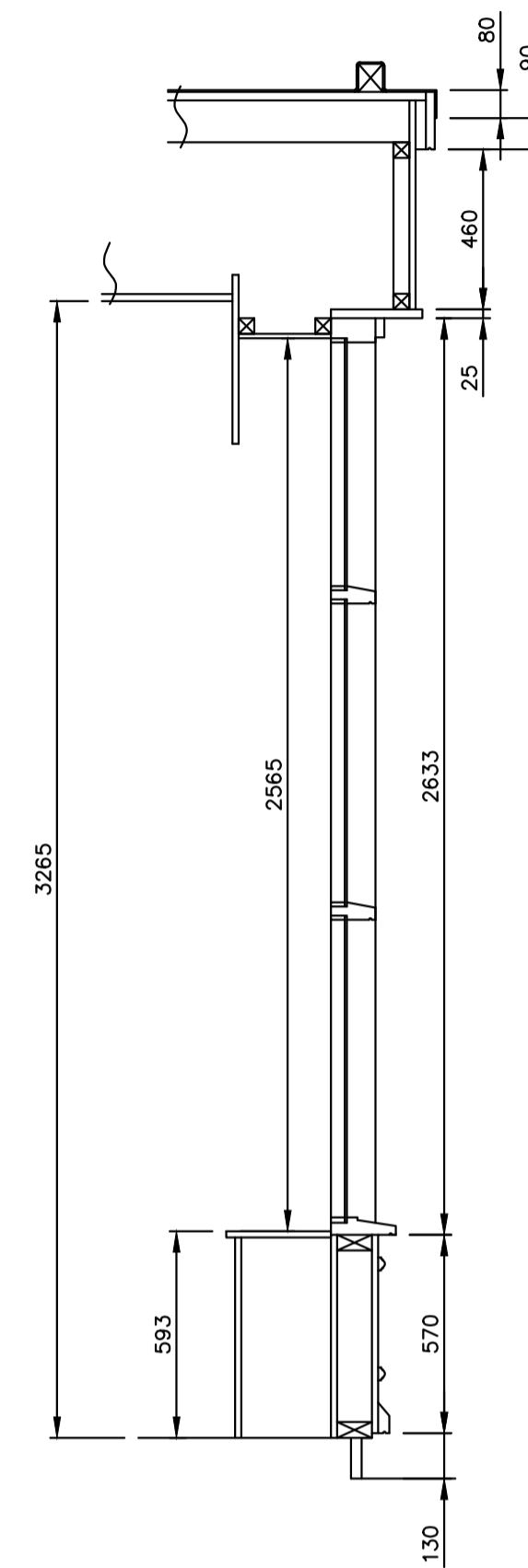


DELIVERY DATE (Where applicable)

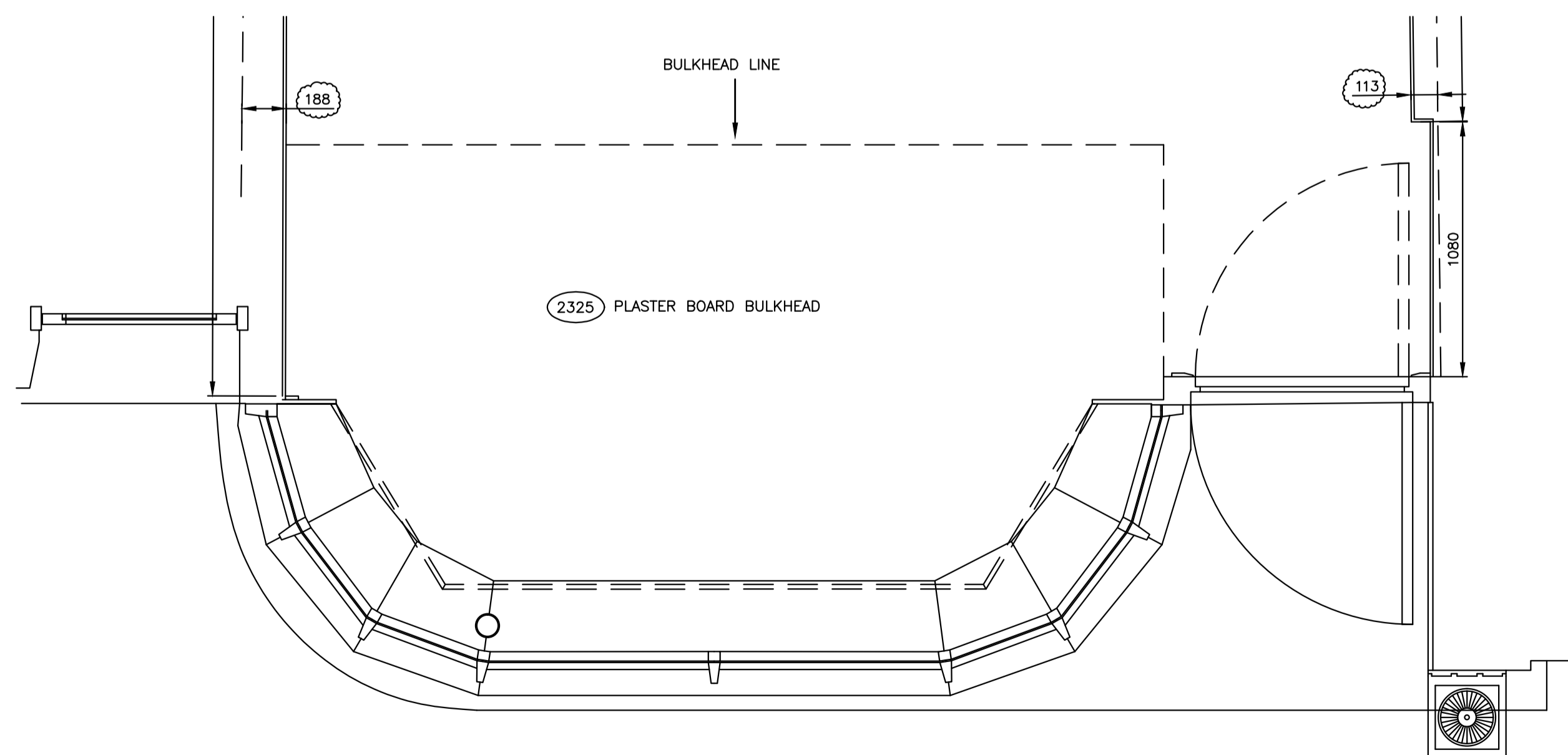
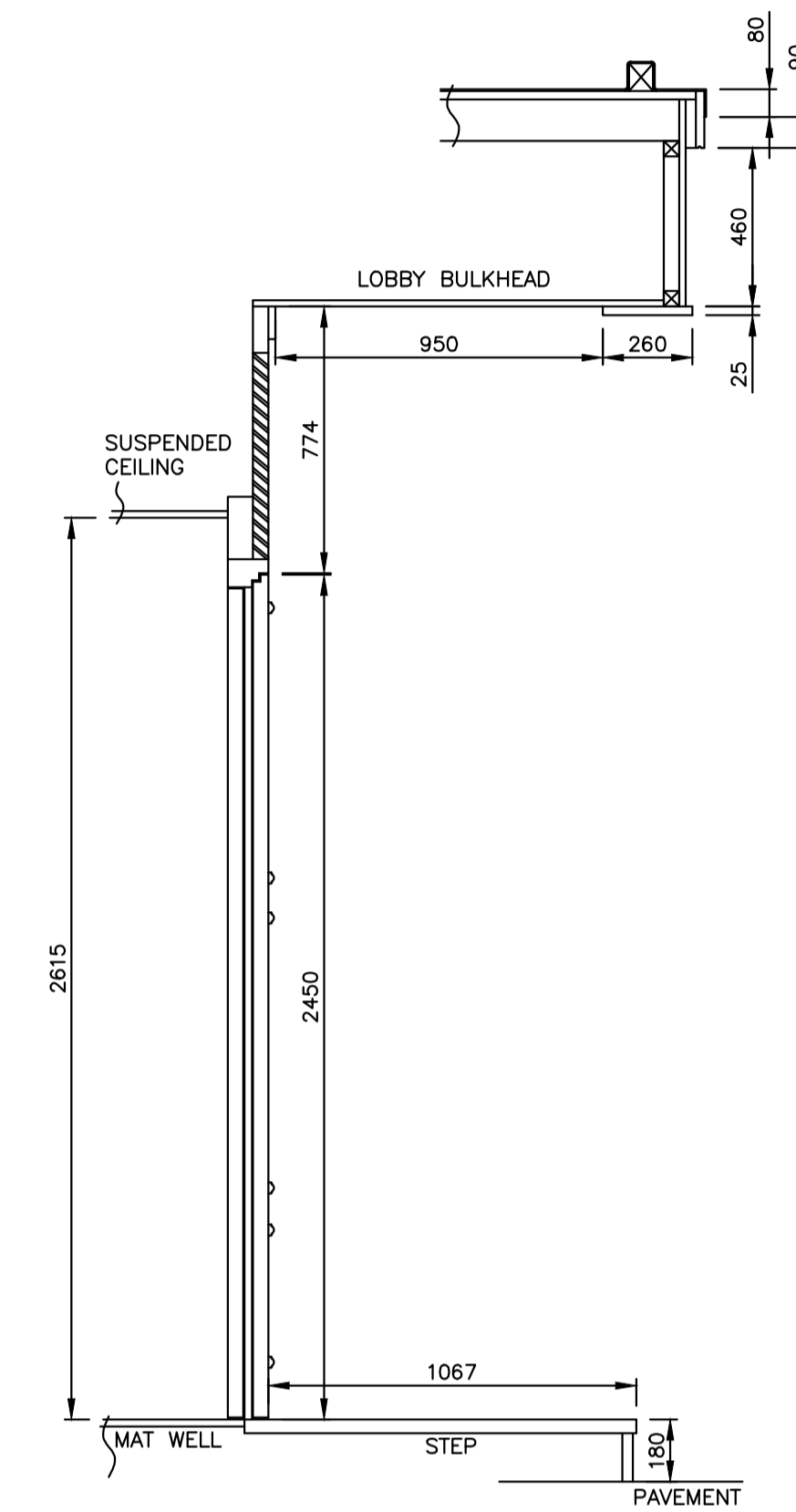
SHOPFRONT ELEVATION



SASH SECTION A-A



ENTRANCE SECTION B-B



| Revision | Description | Date |
|----------|-------------|------|
|----------|-------------|------|

Client: - PETIT PAN

Project: - PETIT PAN - NEW STORE

Address: - 28A HAMPSTEAD HIGH STREET LONDON NW3

Title: - EXISTING SHOPFRONT ELEVATION, PLAN & SECTIONS

| Scale | DWG No. | Drawn | Checked |
|-------|---------|-------|---------|
| 1/20 | 8270-02 | OS | BIL |

| Date | AutoCAD File Ref | Revision |
|----------|------------------|----------|
| 26-02-17 | | |

PLEASE NOTE THAT NO ALTERATIONS MAY BE MADE TO THE METHOD OF MANUFACTURE, MATERIALS SPECIFIED OR DIMENSIONS SHOWN ON THIS DRAWING WITHOUT PRIOR CONSULTATION WITH THE CAD DEPT. SHOULD ANY COSTS BE INCURRED DUE TO UNCONFIRMED ALTERATIONS THE MANUFACTURER MAY BE LIABLE.

bridgford interiors limited
Interior Fit-out specialists

The Bridgford Building
Wellington crescent
Fradley park litchfield
Staffordshire WS13 8RZ

Tel: 01543 443200
Fax: 01543 443206
www.bridgford.co.uk