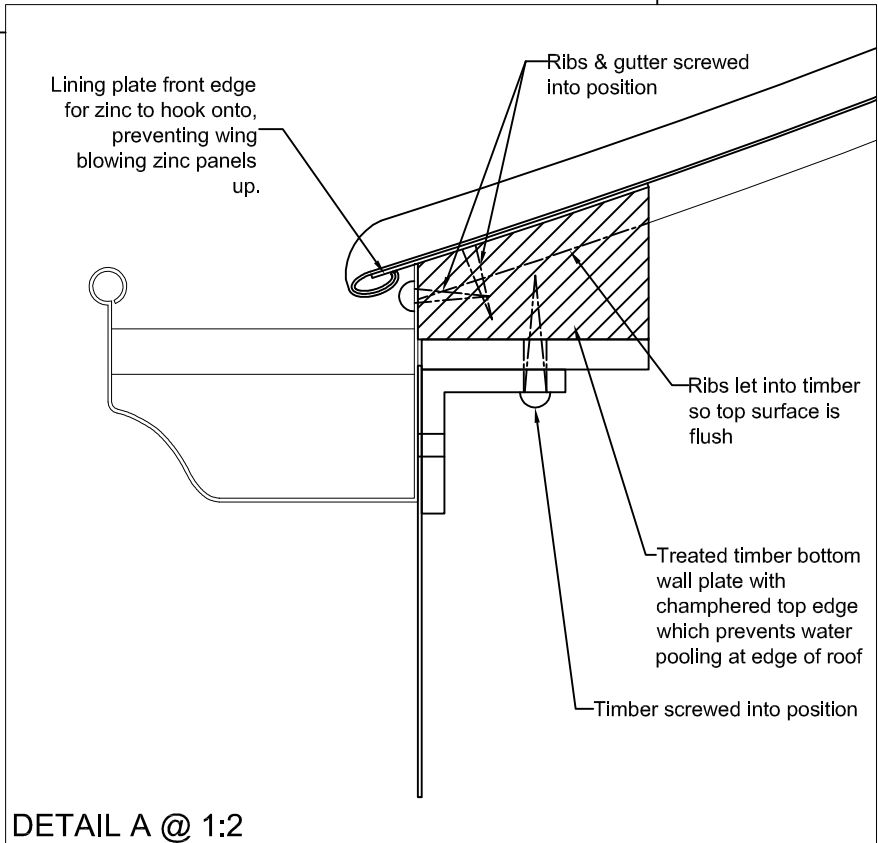


CROSS SECTION @ 1:10
Showing typical roof construction



DETAIL A @ 1:2

Project The Elms Fitzroy Park	Title Bottom Wall Plate Proposal	Drw No TEFP 1-2 Revision n/a	Scale Varies as shown @ A4	Date Dec 16	Notes Subject to design and planning approval.
----------------------------------	-------------------------------------	---------------------------------------	-------------------------------	----------------	---