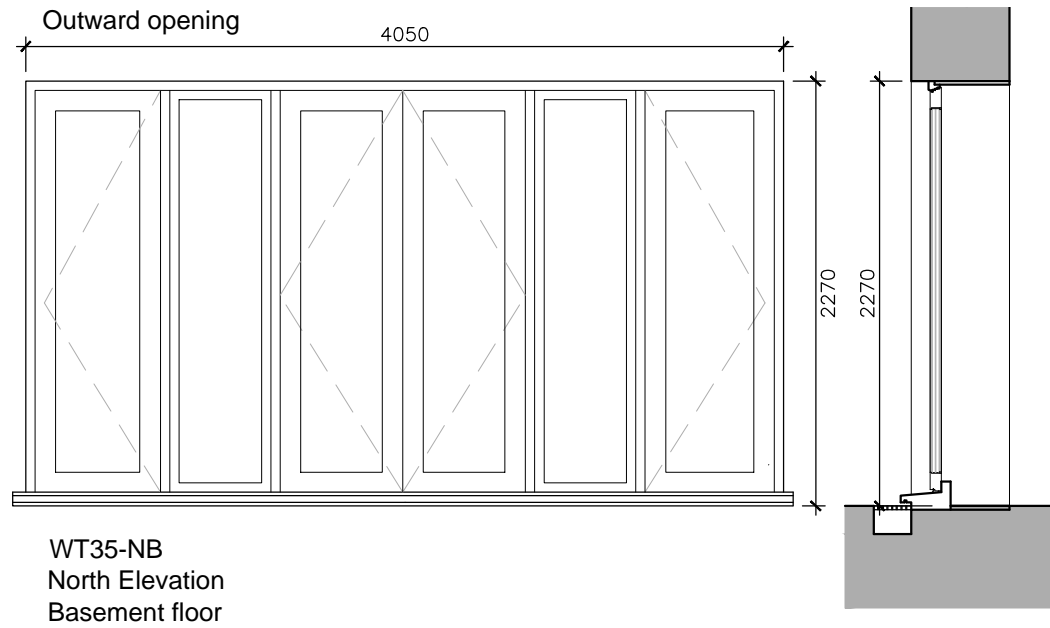


NB - As a general rule we will set back the windows 100mm from the external face of the facade
 - All dims to be confirmed on site

Window Key: The WT is the window type with the window type number. The Next letters stand for where it occurs in the building, for example South elevation first and ground floor would read S01

USE FIGURED DIMENSIONS ONLY
 DO NOT SCALE FROM THIS DRAWING.
 ALL DIMENSIONS MUST BE CHECKED ON SITE ANY
 INCONSISTENCIES MUST BE REPORTED BACK TO THE ARCHITECT.
 THIS DRAWING AND ANY DESIGNS INDICATED THEREON ARE THE
 COPYRIGHT OF BROOKS / MURRAY ARCHITECTS.
 ALL RIGHTS ARE RESERVED.
 NO PART OF THIS WORK MAY BE PRODUCED WITHOUT PRIOR
 PERMISSION IN WRITING FROM BROOKS / MURRAY ARCHITECTS.

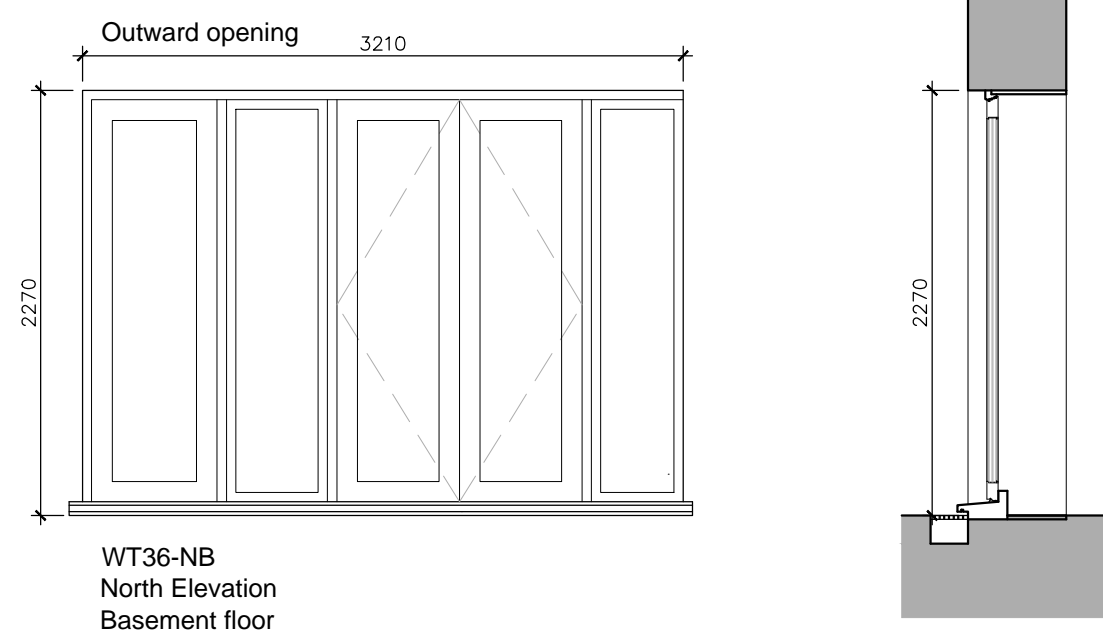
35 Timber Frame double casement
 Heritage style patio doors-
 Triple Glazed



- NEW WALL
 - NEW OPENING

- SEE DRAWING NO
 939 -303

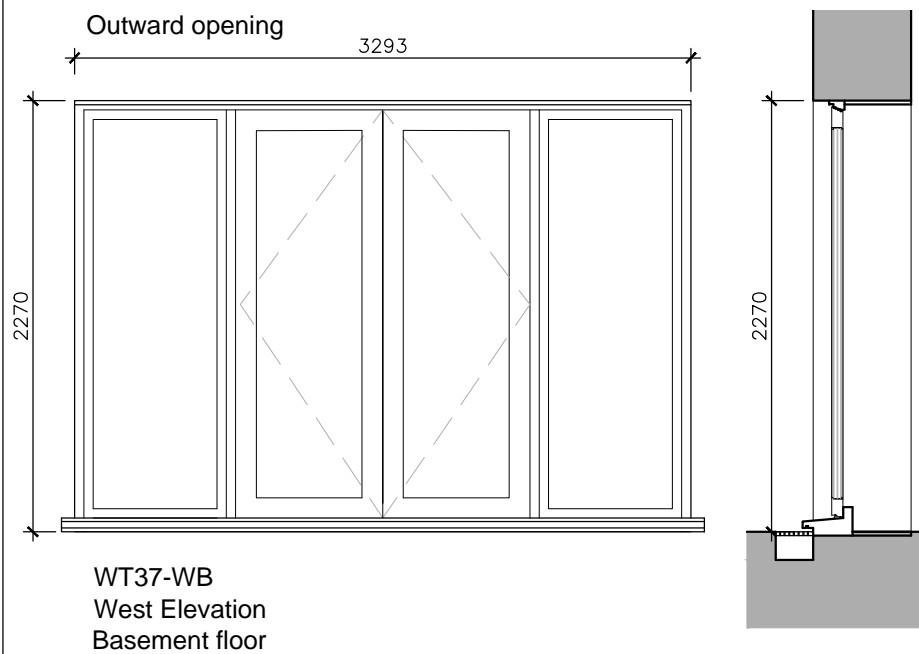
36 Timber Frame double casement
 Heritage style patio doors-
 Triple Glazed



- NEW WALL
 - NEW OPENING

- SEE DRAWING NO
 939 -303

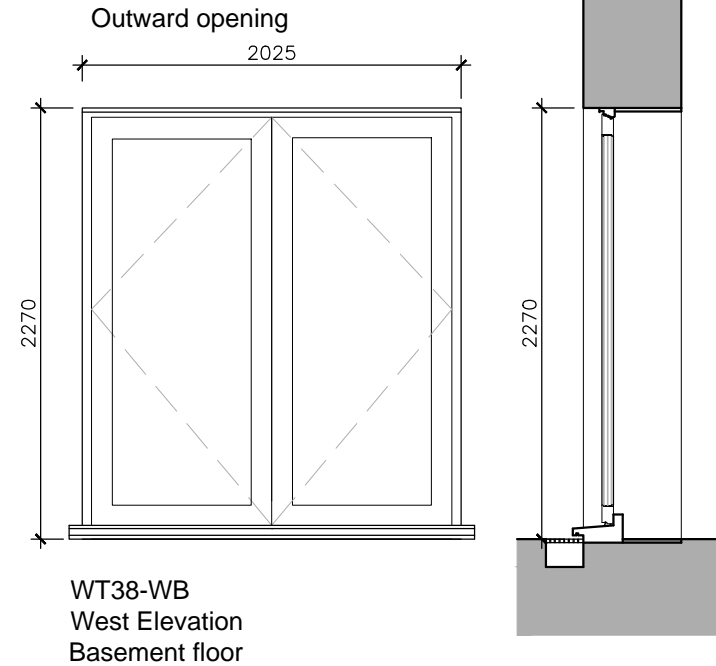
37 Timber Frame double casement
 Heritage style patio doors-
 Triple Glazed



- NEW WALL
 - NEW OPENING

- SEE DRAWING NO
 939 -301

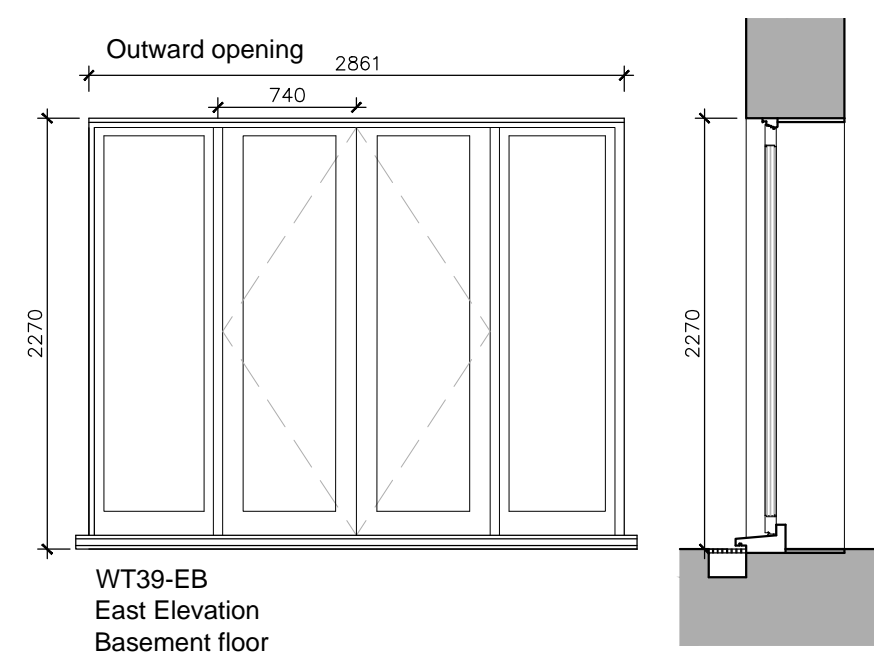
38 Timber Frame double casement
 Heritage style patio doors-
 Triple Glazed



- NEW WALL
 - NEW OPENING

- SEE DRAWING NO
 939 -301

39 Timber Frame double casement
 Heritage style patio doors-
 Triple Glazed



- NEW WALL
 - NEW OPENING

- SEE DRAWING NO
 939 -302

BROOKS / MURRAY

ARCHITECTS
 8-10 NEW NORTH PLACE
 LONDON EC2A 4JA
 TEL 020 7739 9955
 FAX 020 7739 9944
 architects@brooksandmurray.com

CLIENT:
 Simon Firth

JOB:
 51 Calthorpe Street
 Camden
 London WC1X 0HH

DATE: SCALE:
 MAR 2017 1:20@A1

DRAWING TITLE:
 Proposed
 Window Schedule
 sheet 6 of 6

DRAWING NUMBER:
 939 - 506 REV 3