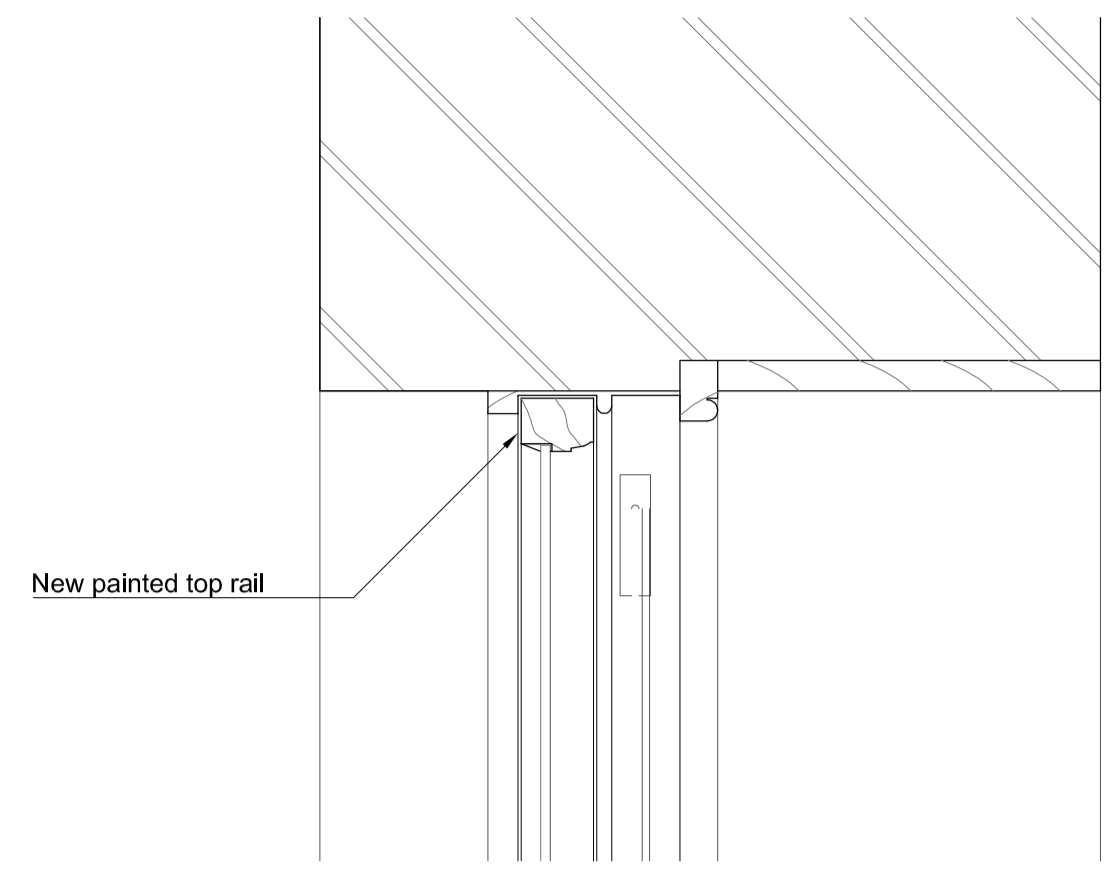
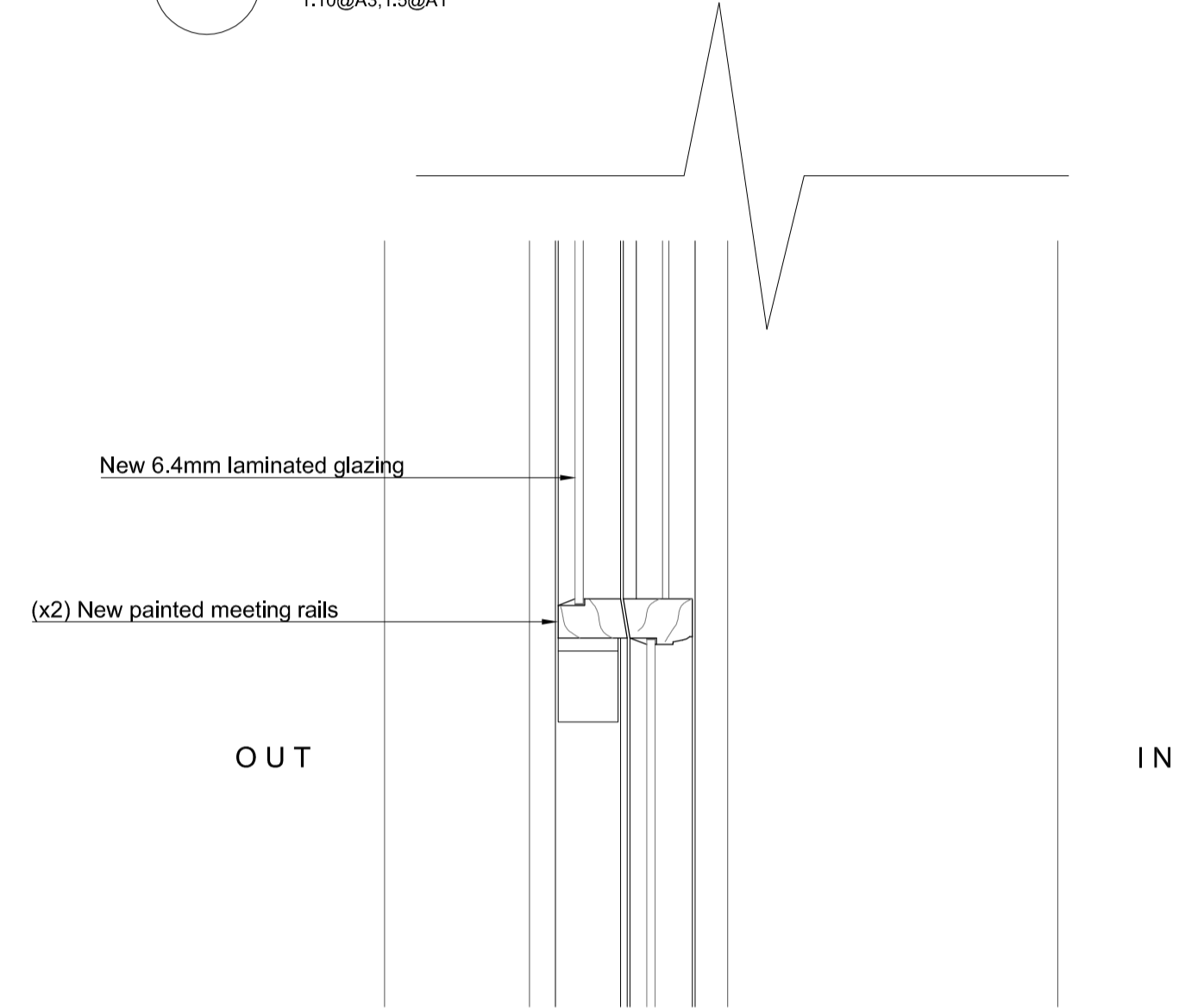


DO NOT SCALE FROM THIS DRAWING
 DRAWING TO BE READ IN CONJUNCTION WITH ALL OTHER ARCHITECTS AND ENGINEERS CONTRACT DRAWING & SPECIFICATIONS.
 ANY DISCREPANCIES MUST BE BROUGHT TO THE ATTENTION OF THE ARCHITECT IMMEDIATELY.
 THE CONTRACTOR MUST VERIFY ALL DIMENSIONS BY SITE MEASUREMENT BEFORE ORDERING MATERIALS OR MANUFACTURING COMPONENTS.
 SUBSTITUTE MATERIALS & PRODUCTS TO THOSE NAMED WILL BE ACCEPTABLE IF PROVEN TO BE OF EQUAL OR HIGHER PERFORMANCE AND NOT IN CONFLICT WITH OTHER ELEMENTS.

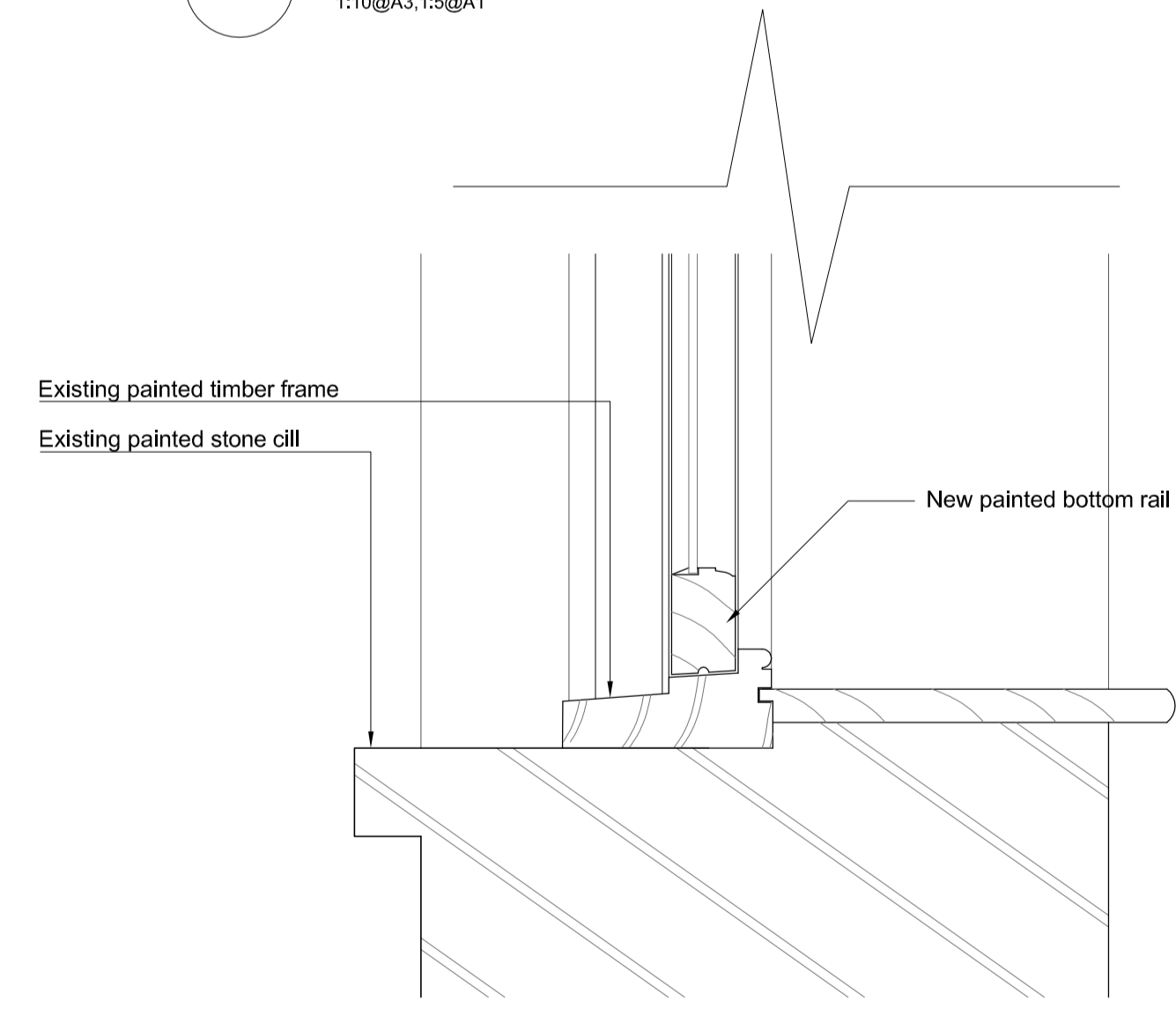
NOTES



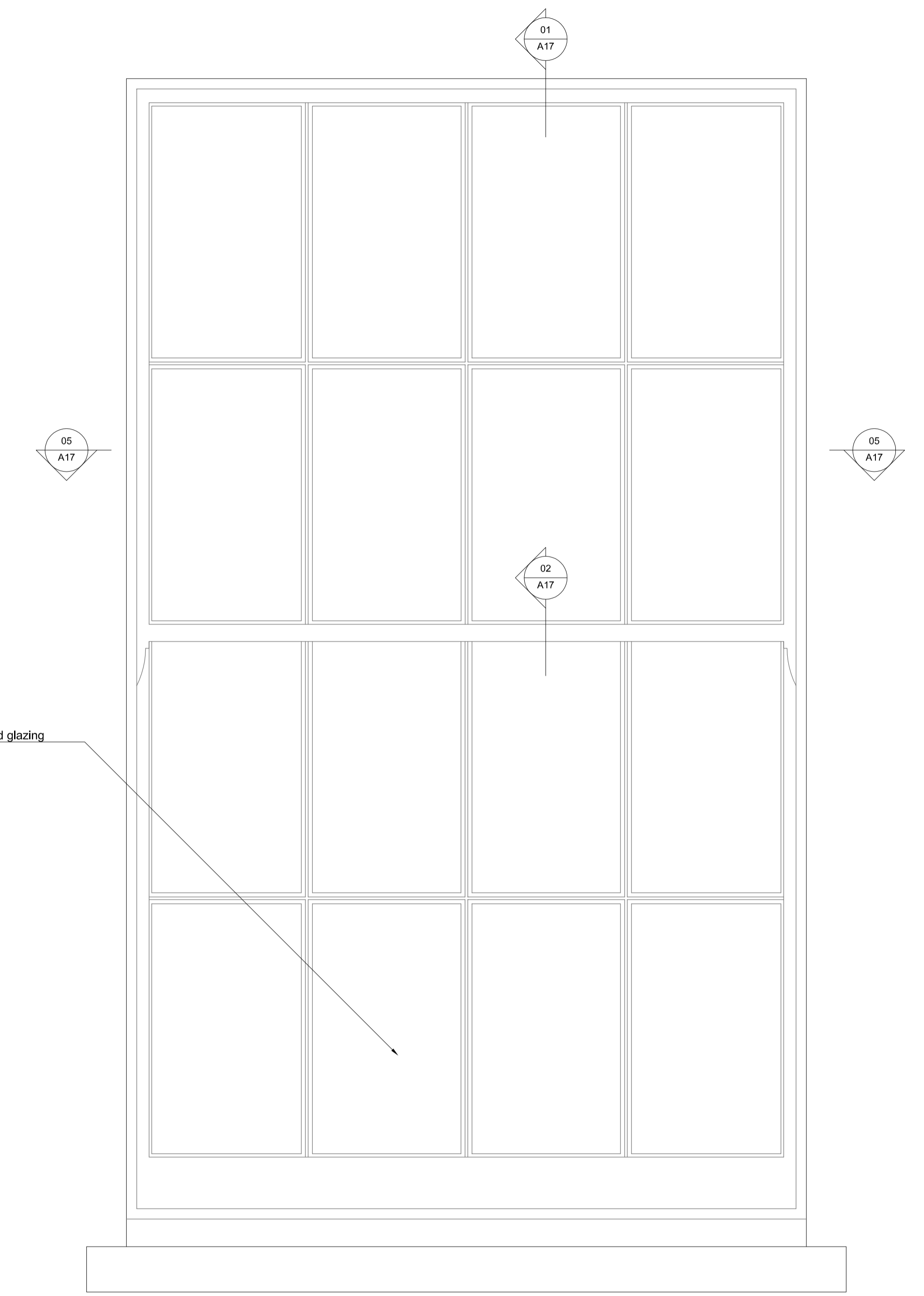
01 PROPOSED WINDOW SASH DETAILS - HEAD - WLGF-04
 1:10@A3, 1:5@A1



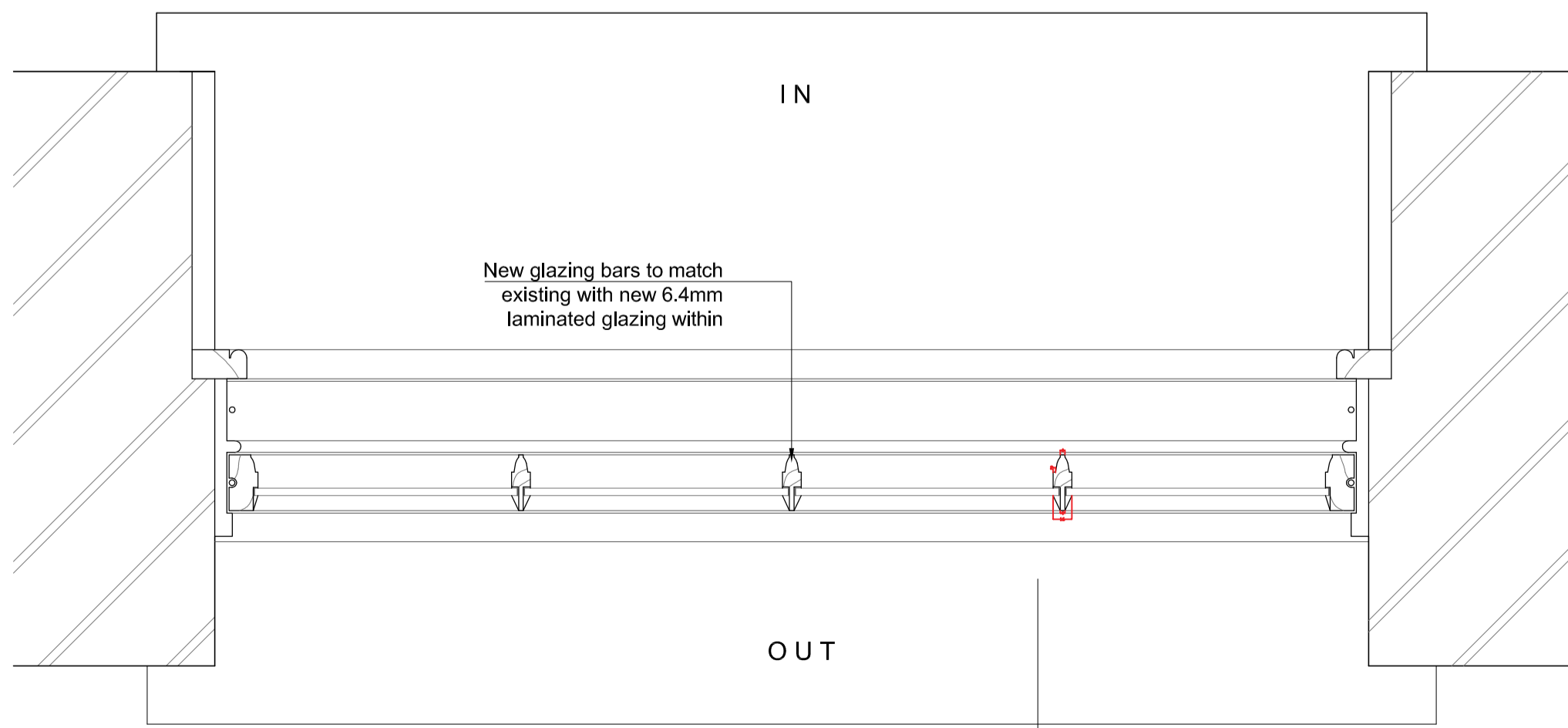
02 PROPOSED WINDOW SASH DETAILS - MEETING RAIL - WLGF-04
 1:10@A3, 1:5@A1



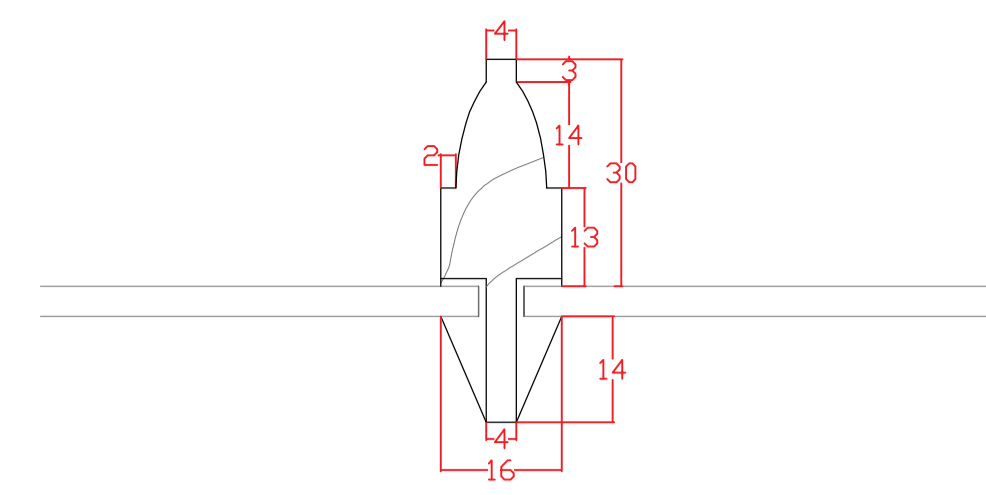
03 PROPOSED WINDOW SASH DETAILS - CILL - WLGF-04
 1:10@A3, 1:5@A1



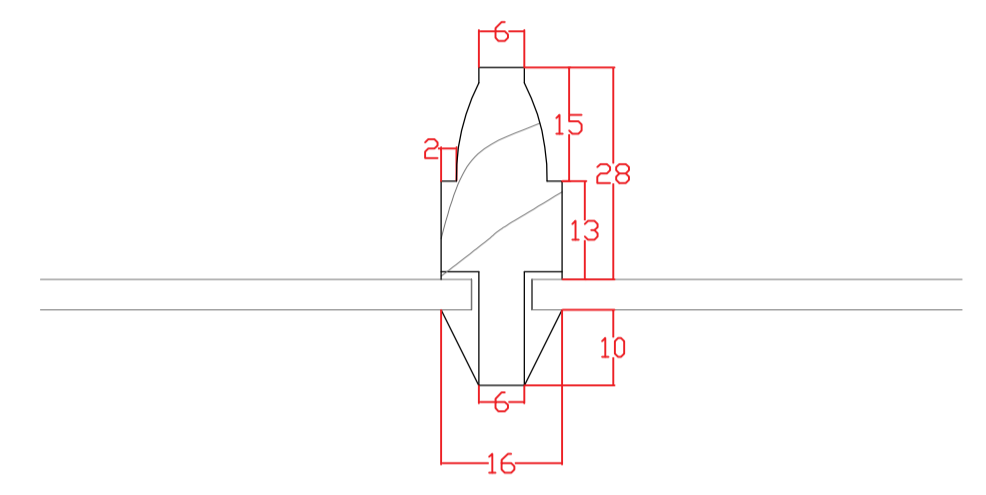
04 PROPOSED WINDOW SASH DETAILS - EXTERNAL ELEVATION WLGF-04
 1:10@A3, 1:5@A1



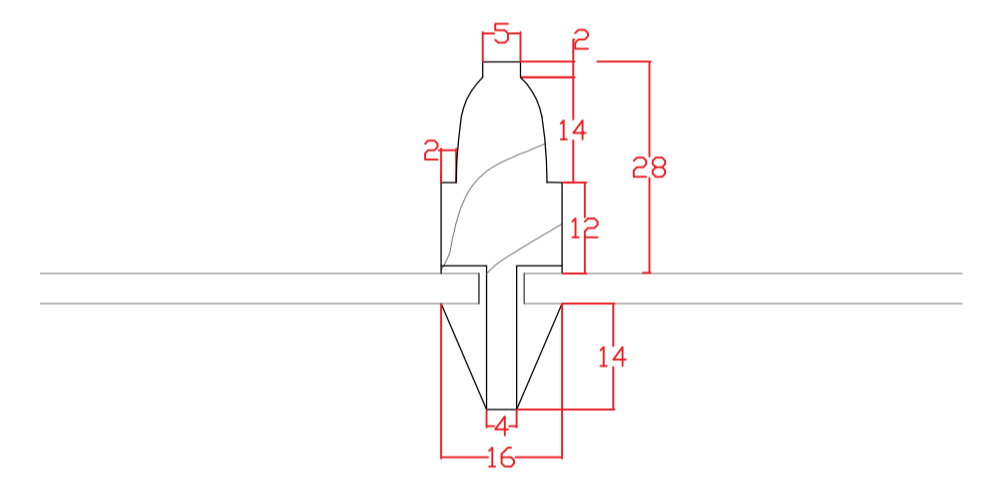
05 PROPOSED SASH JAMBS - WLGF-04
 1:10@A3, 1:5@A1



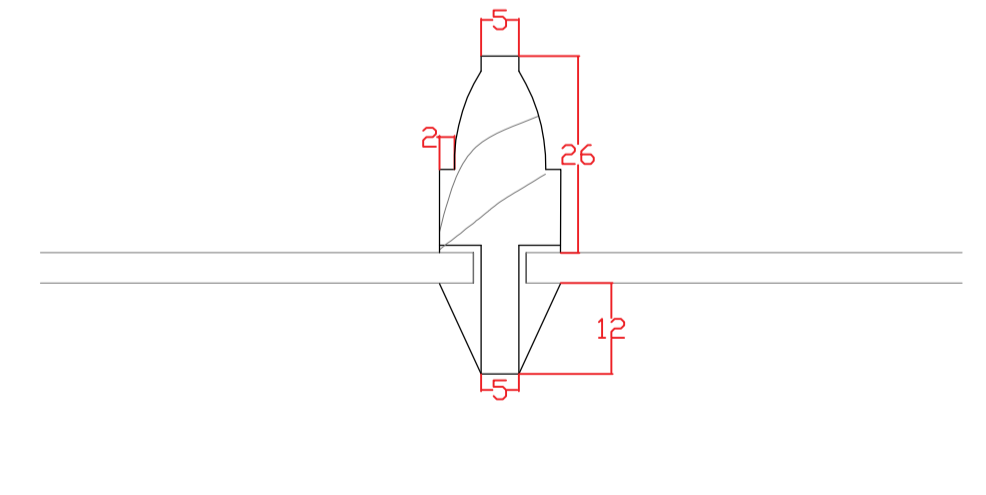
06 EXISTING GLAZING BAR DETAIL - SASH WLGF-04
 1:2@A3, 1:1@A1



07 EXISTING GLAZING BAR DETAIL - CASEMENT WLFG-02
 1:2@A3, 1:1@A1



08 EXISTING GLAZING BAR DETAIL - SASH WLGF-06
 1:2@A3, 1:1@A1



09 EXISTING GLAZING BAR DETAIL - SASH WLGF-09
 1:2@A3, 1:1@A1

REV	DATE	DESCRIPTION
-	18.11.16	For Planning
A	21.02.17	For Planning

FOR PLANNING

JOB TITLE
Keats Grove
 Hampstead
 DRAWING TITLE
Proposed Typical LGF and GF Window
 JOB No: 546 DWG No: A19 REV: A
 DRAWN BY: RFB SCALE (AT A1): 1:5@A1, 1:10@A3 DATE: Aug 2016

RICHARD GRIFFITHS ARCHITECTS
 5 Maidstone Mews, 72-76 Borough High Street, London SE1 1GN
 T +44(0)20 7357 8788 | F +44(0)20 7403 7887
 E admin@rgarchitects.com | www.rgarchitects.com

