

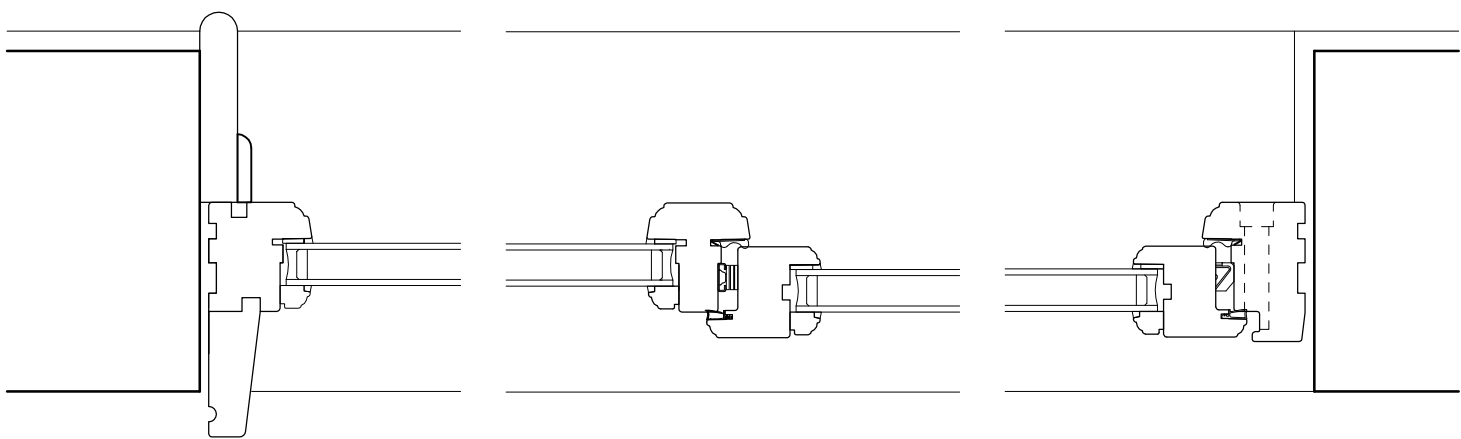
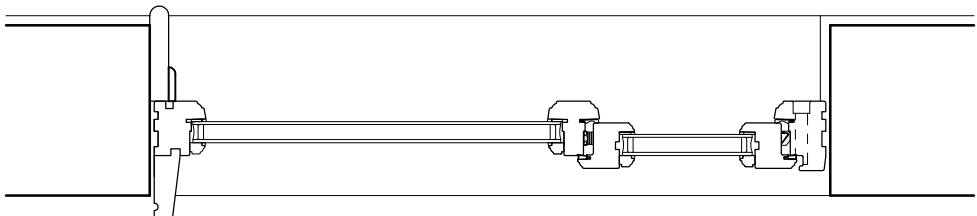
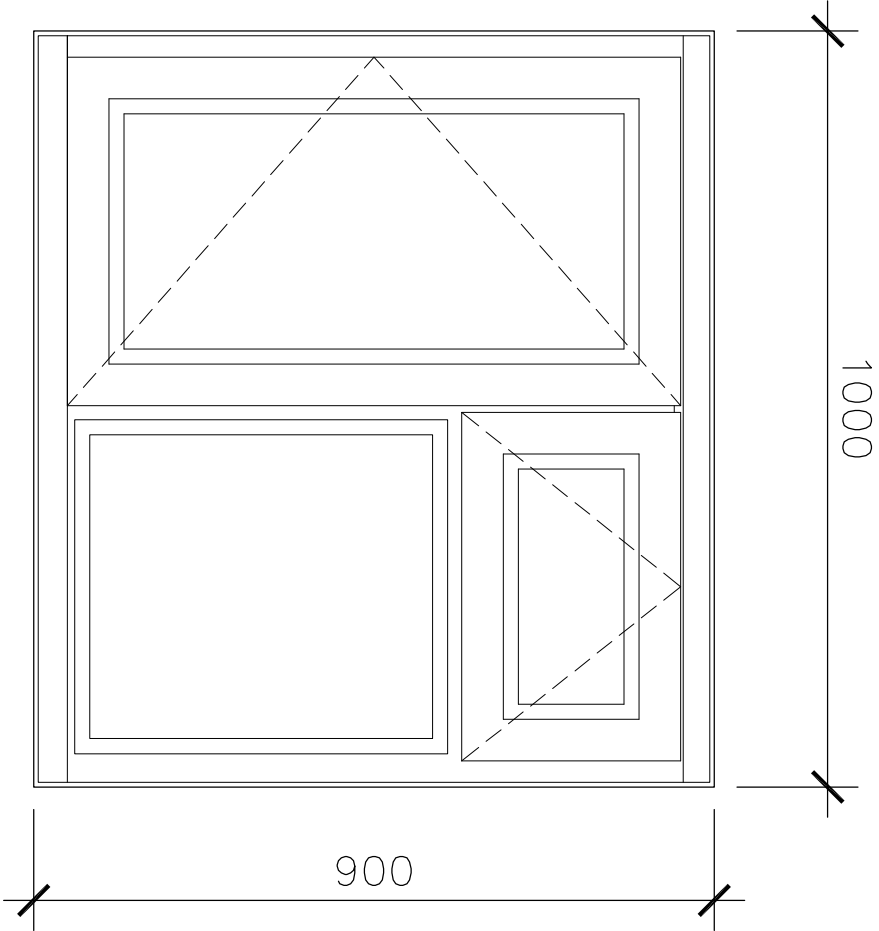
NOTES

Proposed replacement window double-glazed with side and top-hung casements, with timber frames, painted : White.

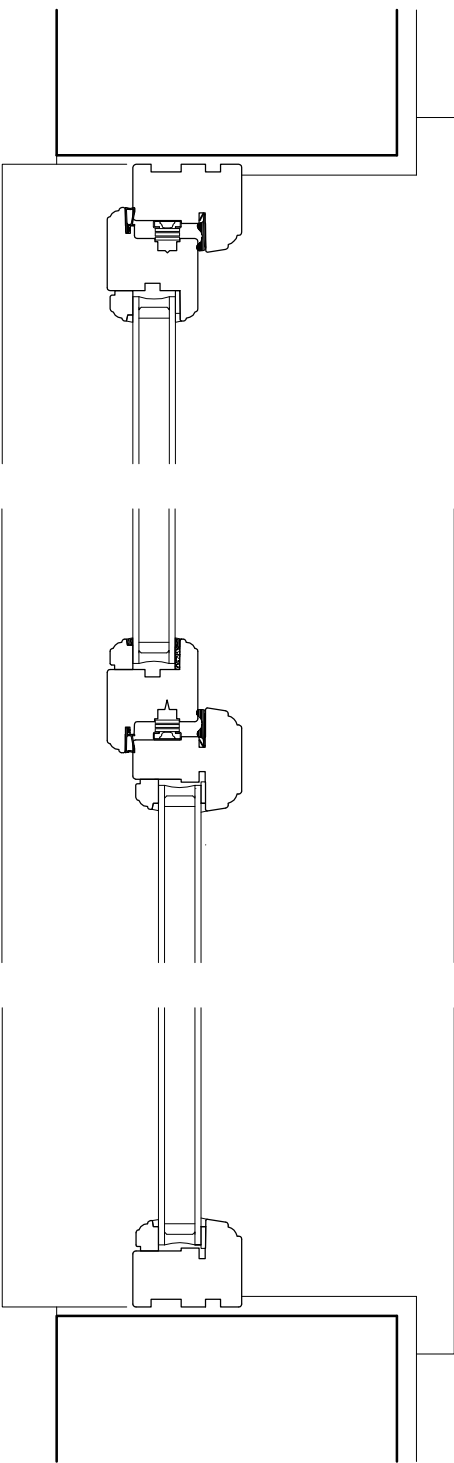
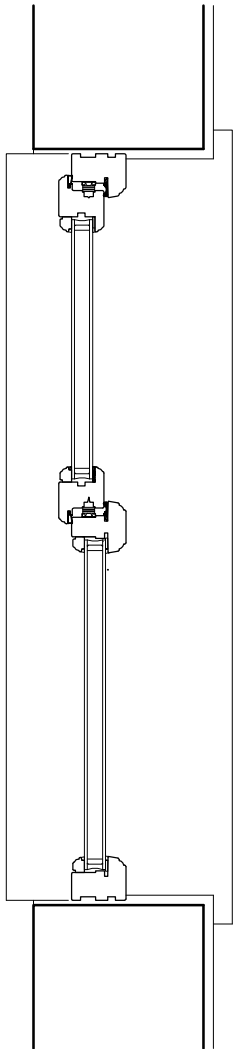
Elevations from outside.

Dimensions are brick opening sizes, measured externally.

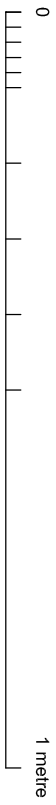
This drawing is indicative of details only. Windows to be manufactured to suit existing opening sizes.



SECTION DETAILS 1 : 5



PLAN DETAILS 1 : 5



A

REVISION	DATE

Do not scale this drawing. All dimensions to be checked by the Contractor before construction proceeds. © Randall Shaw Billingham

RANDALL SHAW BILLINGHAM
Acolicists Energy Consultants Planners
54 Harcombe Road London N16 0SA
e-mail : rsh@randallshaw.co.uk
tel : 020 7254 7472

JOB TITLE

CAMDEN MAJOR REPAIRS

DWG TITLE

101C ROYAL COLLEGE STREET
BATHROOM WINDOW DETAILS

SCALE 1 : 5, 10 @ A3 DWG bs

DATE 3/17 CHK. kr

DWG NO. 254/ 61 REV.