

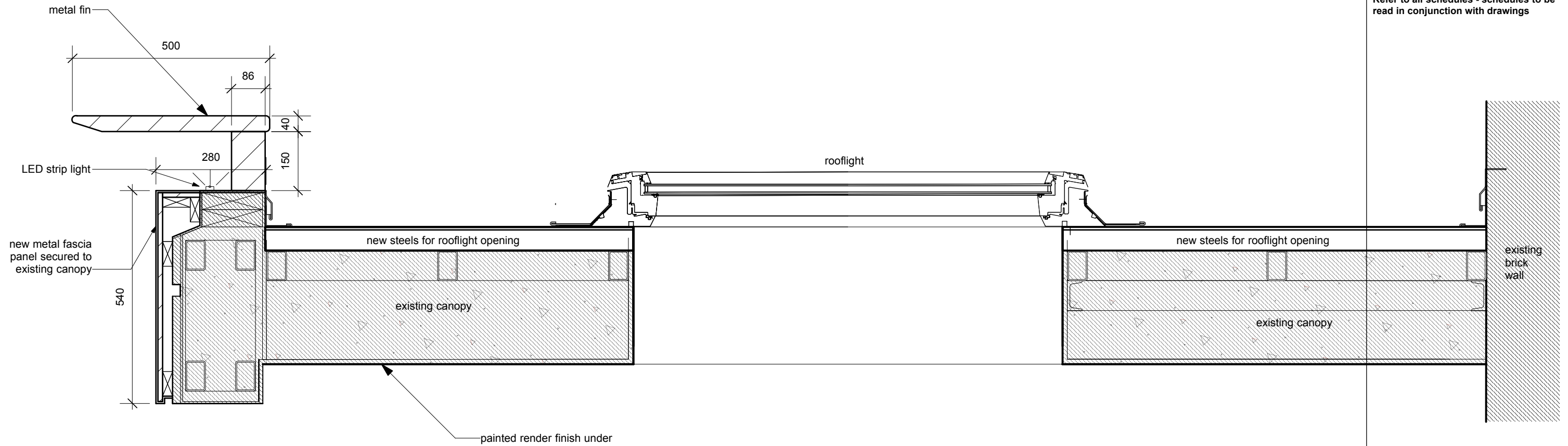
The use of this data by the recipient acts as an agreement of the following statements. Do not use this data if you do not agree with any of the following statements:

All drawings are based upon site information supplied by third parties and as such their accuracy cannot be guaranteed. All features are approximate and subject to clarification by statutory service enquires and confirmation of the legal boundaries.

Do not scale from the drawing. Use figured dimensions in all cases. Check all measurements on site.

Report any discrepancies in writing to the Architect before proceeding. All figured dimensions are millimetres unless otherwise stated.

Refer to all schedules - schedules to be read in conjunction with drawings



A, 17.03.16 - Issue

Refer to Document Issue Sheet for status and purpose of issue.

Scale 1:10 @ A3

0.25 m 0.5 m

Minor Alterations to Entrance
95 Avenue Road London NW8 6HY

Canopy Details

224-8.001-A

© FINE architecture ltd
1 Westmoreland Terrace
London SW1V 4AG
T 08454 300 120
mail@finearchitecture.co.uk