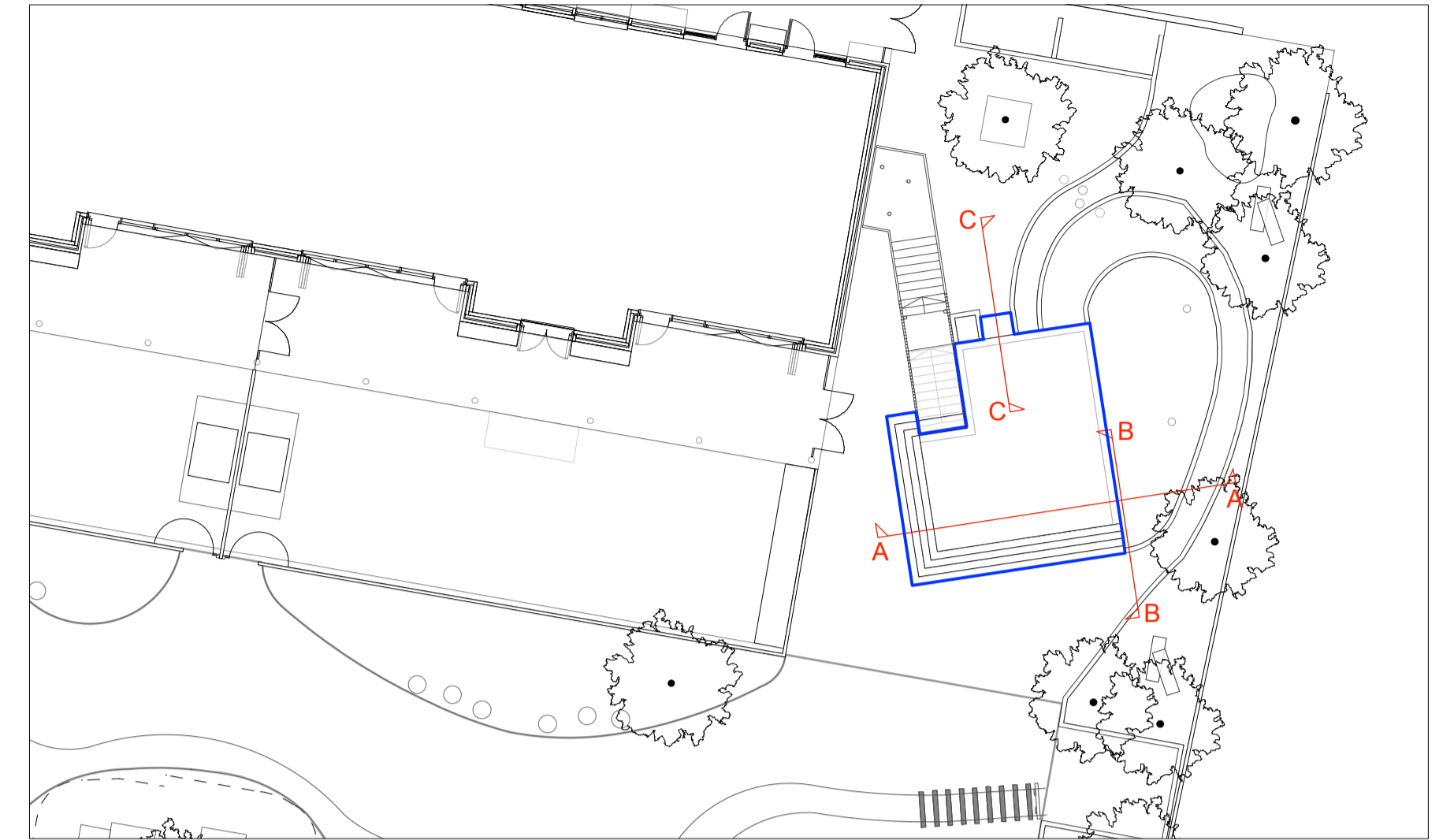


TIMBER DECKING PLATFORM WITH ANTI SLIP STRIPS
SCIENCE GARDEN

LOCATION PLAN 1:100



Pedestrian non porous asphalt surface:
Refer to current revision of detail KL037.F.SD.101B
For surface build-up refer to engineers' drawings

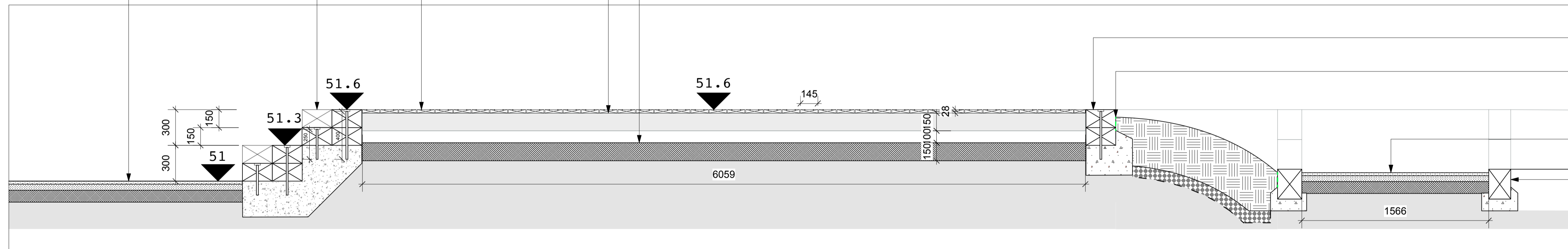
Timber sleeper steps:
- 250mm x 150mm pressure treated softwood sleepers
- Top sleeper height varies to suit fall levels
- Steel dowel 16mm thickness with steel dowel top 50mm diam x 16mm ht.
- Fixed on concrete strip foundations as per engineer's drawings

Timber decking:
Refer to current revision of detail KL037.F.SD.104
- Redwood softwood with anti slip strips
- Size: 28mm x 145mm
- 2 no. square cut grooves per plank inserted with anti slip aggregate (6.5mm wide x 4.5mm)

Timber sleeper laid on 100mm concrete haunching.
Decking to be laid on timber sleeper sub-structure.

150mm porous sub-base granular type 1 material

SECTION A-A
SCALE 1:20

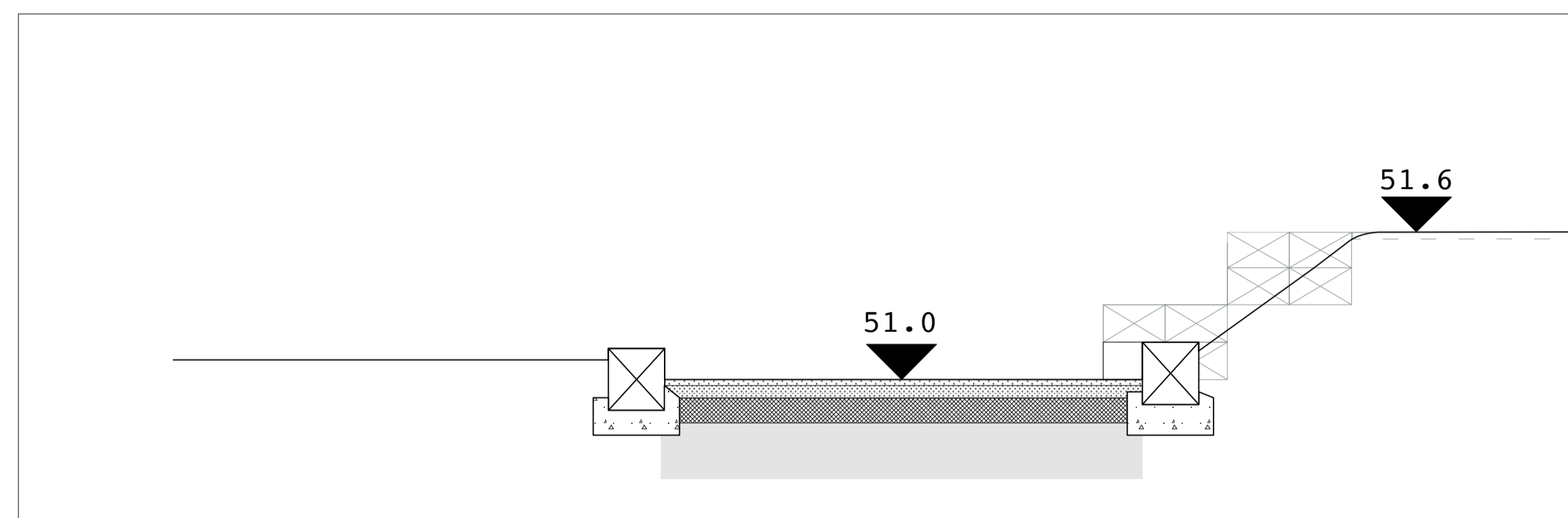


Timber sleeper edging:
Refer to current revision of detail KL037.F.SD.302
On timber's exposed side to the planting apply two coats of R.I.W.

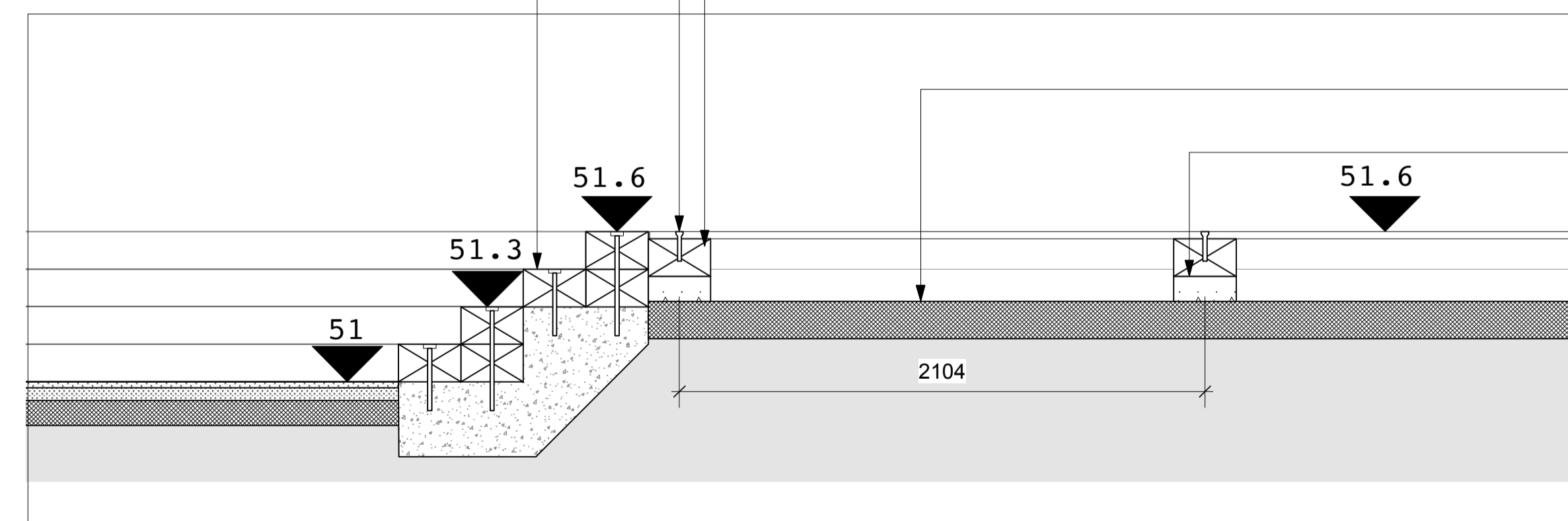
Timber sleeper edging surrounds pedestrian asphalt surface forming DDA path to platform

Timber sleeper edging:
Refer to current revision of detail KL037.F.SD.301

SECTION B-B
SCALE 1:20



SECTION C-C
SCALE 1:20



Timber sleeper steps.
Timber decking fixed on timber sleeper with Wirox C4 45x60mm stainless steel decking screws.
Timber sleeper 150mm x 250mm (250mm side upwards) laid on sub-base.
Decking to be laid on timber sleeper sub-structure.

150mm porous sub-base granular type 1 material

100mm x 250mm concrete strip foundation.

Notes

Gripdeck School Deck
gripdeck.co.uk
01206 242494

JCLA

3A Iliffe Yard
LONDON SE17 3QA
Telephone
+44 (0)207 703 3270

www.jcla.co.uk

Notes

- Do not scale from drawings.
- To be read in conjunction with all relevant Architects', Services and Structural Engineers' drawings.
- All existing site, tree and building information has been compiled from different sources.
- All dimensions to be checked on site.

Revisions

**PLANNING
CONDITION ISSUE**

Project Kingsgate Liddell

Project No. KL037

Client Camden council

Date 18.01.2017

Scale 1:20 @ A1

Drawing Name. Timber decking platform (science garden)

Dwg No. KL037.F.SD.513

Revision