



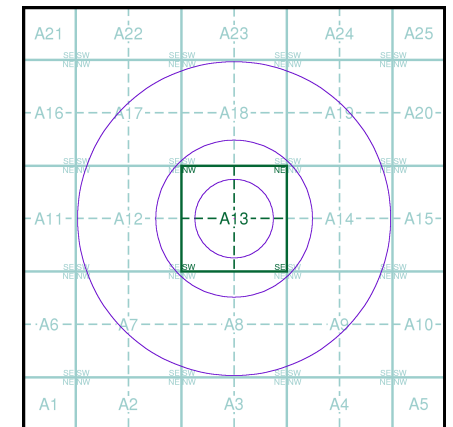
**General**

- Specified Site
- Specified Buffer(s)
- Bearing Reference Point

**Agency and Hydrological (Flood)**

- Extreme Flooding from Rivers or Sea without Defences (Zone 2)
- Flooding from Rivers or Sea without Defences (Zone 3)
- Area Benefiting from Flood Defence
- Flood Water Storage Areas
- Flood Defence

**Flood Map - Slice A**



**Order Details**

Order Number: 95600768\_1\_1  
 Customer Ref: J16180  
 National Grid Reference: 530710, 182920  
 Slice: A  
 Site Area (Ha): 0.01  
 Search Buffer (m): 1000

**Site Details**

159-163 King's Cross Road, LONDON, WC1X 9BN





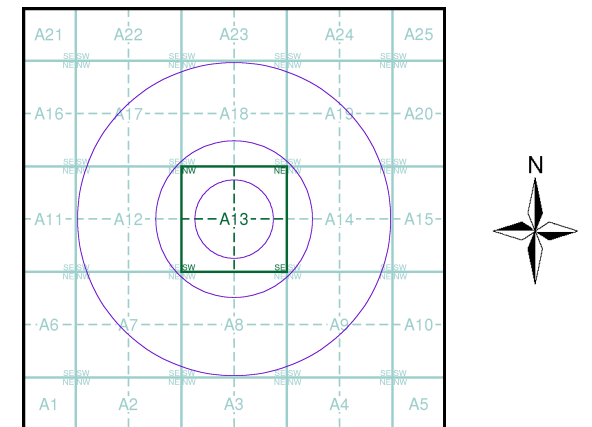
- General**
- Specified Site
  - Specified Buffer(s)
  - x Bearing Reference Point
  - Map ID
  - Several of Type at Location

- Agency and Hydrological (Boreholes)**
- BGS Borehole Depth 0 - 10m
  - BGS Borehole Depth 10 - 30m
  - BGS Borehole Depth 30m +
  - Confidential
  - Other

For Borehole information please refer to the Borehole .csv file which accompanied this slice.

A copy of the BGS Borehole Ordering Form is available to download from the Support section of [www.envirocheck.co.uk](http://www.envirocheck.co.uk).

**Borehole Map - Slice A**



**Order Details**

Order Number: 95600768\_1\_1  
 Customer Ref: J16180  
 National Grid Reference: 530710, 182920  
 Slice: A  
 Site Area (Ha): 0.01  
 Search Buffer (m): 1000

**Site Details**  
 159-163 King's Cross Road, LONDON, WC1X 9BN





**General**

- Specified Site
- Specified Buffer(s)
- Bearing Reference Point
- Map ID

**Detailed River Network Data**

- Primary River
- Secondary River
- Tertiary River
- Canal
- Canal Tunnel
- Undefined River
- Lake/Reservoir
- Offline Drainage Feature
- Extended Culvert (greater than 50m)
- Underground River (inferred)
- Underground River (local knowledge)
- Downstream of High Water Mark
- Downstream of Seaward Extension
- Not assigned River feature

**Contours (height in metres)**

Standard Contour 105

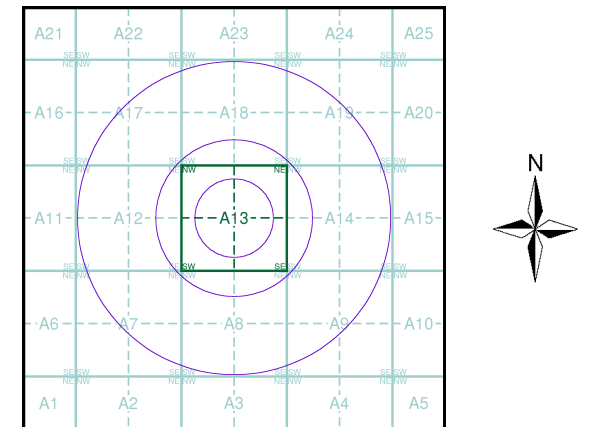
Master Contour 100 95

Spot Height \*167.3

MLW Mean Low Water

MHW Mean High Water

**EANRW Detailed River Network Map - Slice A**



**Order Details**

Order Number: 95600768\_1\_1

Customer Ref: J16180

National Grid Reference: 530710, 182920

Slice: A

Site Area (Ha): 0.01

Search Buffer (m): 1000

**Site Details**

159-163 King's Cross Road, LONDON, WC1X 9BN



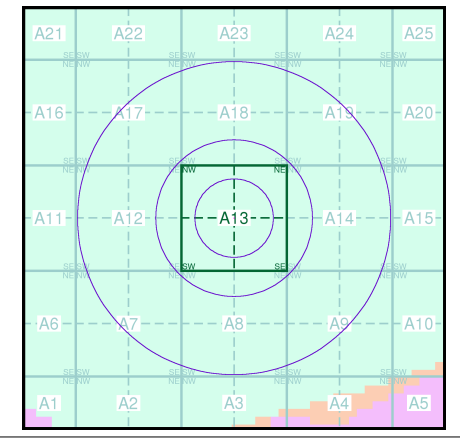


- General**
- Specified Site
  - Specified Buffer(s)
  - x Bearing Reference Point

- Risk of Flooding from Surface Water**
- High - 30 Year Return
  - Medium - 100 Year Return
  - Low - 1000 Year Return

- Suitability**  
See the suitability map below
- National to county
  - County to town
  - Town to street
  - Street to parcels of land
  - Property

**EANRW Suitability Map - Slice A**



**Order Details**  
 Order Number: 95600768\_1\_1  
 Customer Ref: J16180  
 National Grid Reference: 530710, 182920  
 Slice: A  
 Site Area (Ha): 0.01  
 Search Buffer (m): 1000

**Site Details**  
 159-163 King's Cross Road, LONDON, WC1X 9BN

**Landmark** Information Group  
 Tel: 0844 844 9952  
 Fax: 0844 844 9951  
 Web: www.envirocheck.co.uk



# Historical Mapping Legends

## Ordnance Survey County Series and Ordnance Survey Plan 1:2,500

**Quarry** **Gravel Pit** **Sand Pit**  
**Clay Pit** **Shingle** **Refuse Heap**  
**Sloping Masonry** **Flat Rock**  
**Marsh** **Reeds** **Osiers**  
**Rough Pasture** **Furze** **Wood**  
**Mixed Wood** **Brushwood** **Orchard**  
**Fir** **Ford** **Stepping Stones**  
**Ferry** **Waterfall** **Lock**  
**Trig. Station** **Altitude at Trig. Station**  
**B.M. 325.9** **Bench Mark** **Surface Level**  
**Arrow denotes flow of water** **Antiquities (site of)**  
**Cutting** **Embankment**  
**Railway crossing Road** **Level Crossing** **Road crossing Railway**  
**Railway crossing River or Canal** **Road over single stream** **Road over River or Canal**  
**County Boundary (Geographical)**  
**County & Civil Parish Boundary**  
**Administrative County & Civil Parish Boundary**  
**County Borough Boundary (England)**  
**Co. Boro. Bdy.**  
**County Burgh Boundary (Scotland)**  
**Co. Burgh Bdy.**  
**BP BS** Boundary Post or Stone **P.C.B** Police Call Box  
**B.R.** Bridle Road **P** Pump  
**E.P** Electricity Pylon **S.P** Signal Post  
**F.B.** Foot Bridge **SL** Sluice  
**F.P.** Foot Path **Sp.** Spring  
**G.P** Guide Post or Board **T.C.B** Telephone Call Box  
**M.S** Mile Stone **Tr.** Trough  
**M.P M.R** Mooring Post or Ring **W** Well

## Ordnance Survey Plan, Additional SIMs and Supply of Unpublished Survey Information 1:2,500 and 1:1,250

**Inactive Quarry, Chalk Pit or Clay Pit** **Active Quarry, Chalk Pit or Clay Pit**  
**Rock** **Boulders**  
**Cliff** **Slopes** **Top**  
**Roofed Building** **Glazed Roof Building**  
**Sloping Masonry** **Archway**  
**Non-Coniferous Tree (surveyed)** **Coniferous Tree (surveyed)**  
**Non-Coniferous Trees (not surveyed)** **Coniferous Trees (not surveyed)**  
**Orchard Tree** **Scrub** **Bracken**  
**Coppice, Osier** **Reeds** **Marsh, Saltings**  
**Rough Grassland** **Heath** **Culvert**  
**Direction of water flow** **Bench Mark** **Antiquity (site of)**  
**Cave Entrance** **Triangulation Station** **Electricity Pylon**  
**Electricity Transmission Line**  
**County Boundary (Geographical)**  
**County & Civil Parish Boundary**  
**Civil Parish Boundary**  
**Admin. County or County Bor. Boundary**  
**London Borough Boundary**  
**Symbol marking point where boundary mereing changes**  
**BH** Beer House **P** Pillar, Pole or Post  
**BP, BS** Boundary Post or Stone **PO** Post Office  
**Cn, C** Capstan, Crane **PC** Public Convenience  
**Chy** Chimney **PH** Public House  
**D Fn** Drinking Fountain **Pp** Pump  
**EI P** Electricity Pillar or Post **SB, S Br** Signal Box or Bridge  
**FAP** Fire Alarm Pillar **SP, SL** Signal Post or Light  
**FB** Foot Bridge **Spr** Spring  
**GP** Guide Post **Tk** Tank or Track  
**H** Hydrant or Hydraulic **TCB** Telephone Call Box  
**LC** Level Crossing **TCP** Telephone Call Post  
**MH** Manhole **Tr** Trough  
**MP** Mile Post or Mooring Post **Wr Pt, Wr T** Water Point, Water Tap  
**MS** Mile Stone **W** Well  
**NTL** Normal Tidal Limit **Wd Pp** Wind Pump

## Large-Scale National Grid Data 1:2,500 and 1:1,250

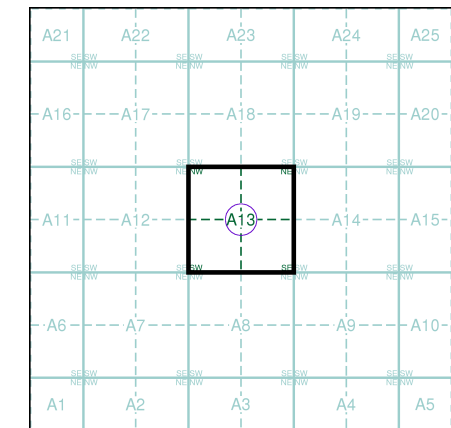
**Cliff** **Slopes** **Top**  
**Rock** **Rock (scattered)**  
**Boulders** **Boulders (scattered)**  
**Positioned Boulder** **Scree**  
**Non-Coniferous Tree (surveyed)** **Coniferous Tree (surveyed)**  
**Non-Coniferous Trees (not surveyed)** **Coniferous Trees (not surveyed)**  
**Orchard Tree** **Scrub** **Bracken**  
**Coppice, Osier** **Reeds** **Marsh, Saltings**  
**Rough Grassland** **Heath** **Culvert**  
**Direction of water flow** **Triangulation Station** **Antiquity (site of)**  
**Electricity Transmission Line** **Electricity Pylon**  
**B.M. 231.60m** **Bench Mark** **Buildings with Building Seed**  
**Roofed Building** **Glazed Roof Building**  
**Civil parish/community boundary**  
**District boundary**  
**County boundary**  
**Boundary post/stone**  
**Boundary mereing symbol (note: these always appear in opposed pairs or groups of three)**  
**Bks** Barracks **P** Pillar, Pole or Post  
**Bty** Battery **PO** Post Office  
**Cemy** Cemetery **PC** Public Convenience  
**Chy** Chimney **Pp** Pump  
**Cis** Cistern **Ppg Sta** Pumping Station  
**Dismtd Rly** Dismantled Railway **PW** Place of Worship  
**EI Gen Sta** Electricity Generating Station **Sewage Ppg Sta** Sewage Pumping Station  
**EI P** Electricity Pole, Pillar **SB, S Br** Signal Box or Bridge  
**EI Sub Sta** Electricity Sub Station **SP, SL** Signal Post or Light  
**FB** Filter Bed **Spr** Spring  
**Fn / D Fn** Fountain / Drinking Ftn. **Tk** Tank or Track  
**Gas Gov** Gas Valve Compound **Tr** Trough  
**GVC** Gas Governor **Wd Pp** Wind Pump  
**GP** Guide Post **Wr Pt, Wr T** Water Point, Water Tap  
**MH** Manhole **Wks** Works (building or area)  
**MP, MS** Mile Post or Mile Stone **W** Well



## Historical Mapping & Photography included:

Mapping Type	Scale	Date	Pg
London	1:2,500	1877	2
London	1:2,500	1896	3
London	1:2,500	1916	4
Historical Aerial Photography	1:1,250	1946	5
Ordnance Survey Plan	1:1,250	1953 - 1954	6
Ordnance Survey Plan	1:2,500	1954 - 1955	7
Ordnance Survey Plan	1:1,250	1960 - 1971	8
Ordnance Survey Plan	1:2,500	1965	9
Additional SIMs	1:2,500	1965	10
Ordnance Survey Plan	1:1,250	1970 - 1989	11
Supply of Unpublished Survey Information	1:1,250	1974 - 1976	12
Supply of Unpublished Survey Information	1:1,250	1976	13
Additional SIMs	1:1,250	1982 - 1990	14
Ordnance Survey Plan	1:1,250	1983	15
Additional SIMs	1:1,250	1987 - 1988	16
Large-Scale National Grid Data	1:1,250	1991	17
Large-Scale National Grid Data	1:1,250	1991 - 1994	18
Large-Scale National Grid Data	1:1,250	1991 - 1995	19
Large-Scale National Grid Data	1:1,250	1993	20
Large-Scale National Grid Data	1:1,250	1996	21
Large-Scale National Grid Data	1:1,250	1996	22
Historical Aerial Photography	1:2,500	1999	23

## Historical Map - Segment A13



## Order Details

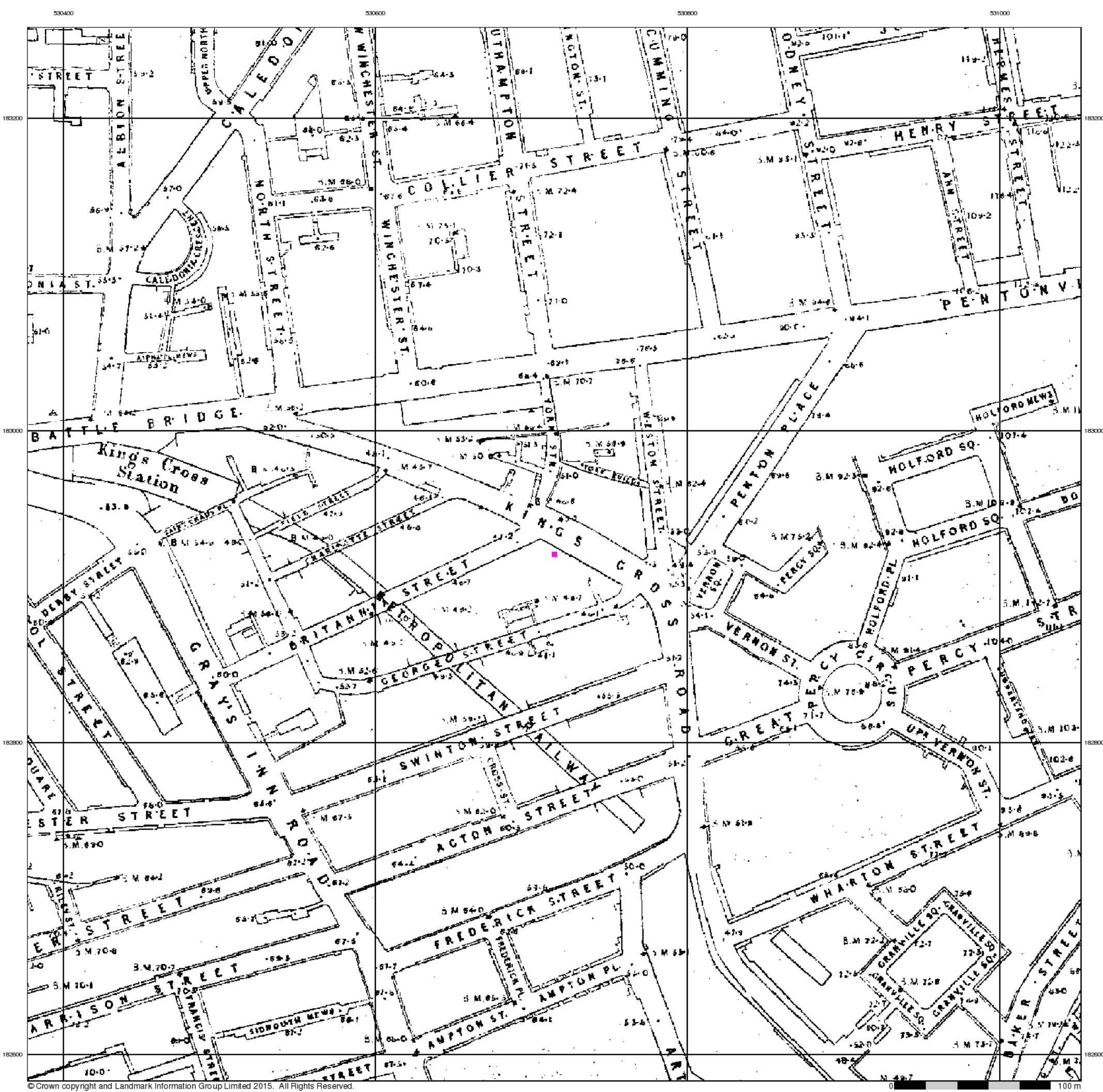
Order Number: 95600768\_1\_1  
 Customer Ref: J16180  
 National Grid Reference: 530710, 182920  
 Slice: A  
 Site Area (Ha): 0.01  
 Search Buffer (m): 100

## Site Details

159-163 King's Cross Road, LONDON, WC1X 9BN



Tel: 0844 844 9952  
 Fax: 0844 844 9951  
 Web: www.envirocheck.co.uk

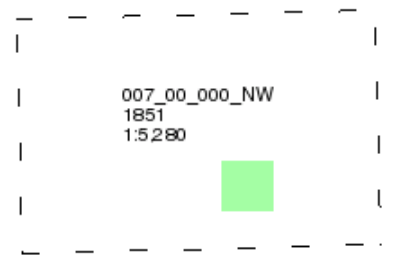


**London**  
**Published 1851**  
**Source map scale - 1:5,280**

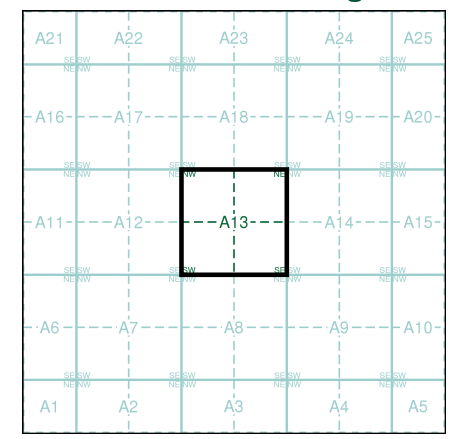
The historical town plans shown derive from Ordnance Survey mapping from the early to mid 1850s. The 1:2640 scale was introduced in the early 1850s, to survey districts covered by the Local Boards of Health and for a map of the Osborne Estate of Queen Victoria. The general style is similar to that of the early 1:2500s published shortly afterwards. 1:5280 scale was surveyed shortly afterwards in the mid 1850s as general purpose mapping with a standard of content similar to the more contemporary 1:10,560 mapping. The scale was also used for a reduction of the 1:1056 'skeleton survey' of London that was undertaken between 1848 and 1850.

Please note: Due to the partial coverage of Historical Town Plans, it is possible that not all segments within an order will contain mapping. Only the segments that have Town Plan coverage will be generated.

**Map Name(s) and Date(s)**



**Historical Town Plan - Segment A13**



**Order Details**

Order Number: 95600768\_1\_1  
 Customer Ref: J16180  
 National Grid Reference: 530710, 182920  
 Slice: A  
 Site Area (Ha): 0.01  
 Search Buffer (m): 0

**Site Details**

159-163 King's Cross Road, LONDON, WC1X 9BN



Tel: 0844 844 9952  
 Fax: 0844 844 9951  
 Web: www.envirocheck.co.uk