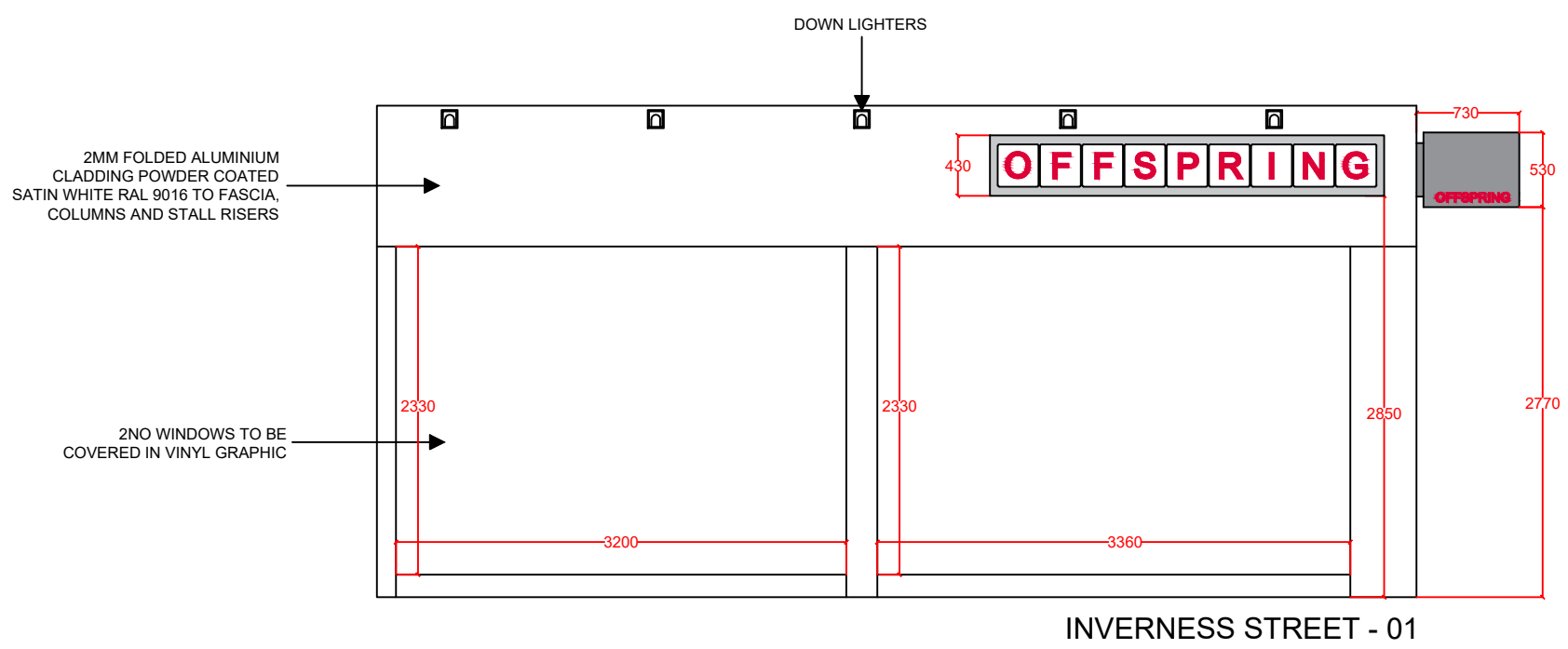
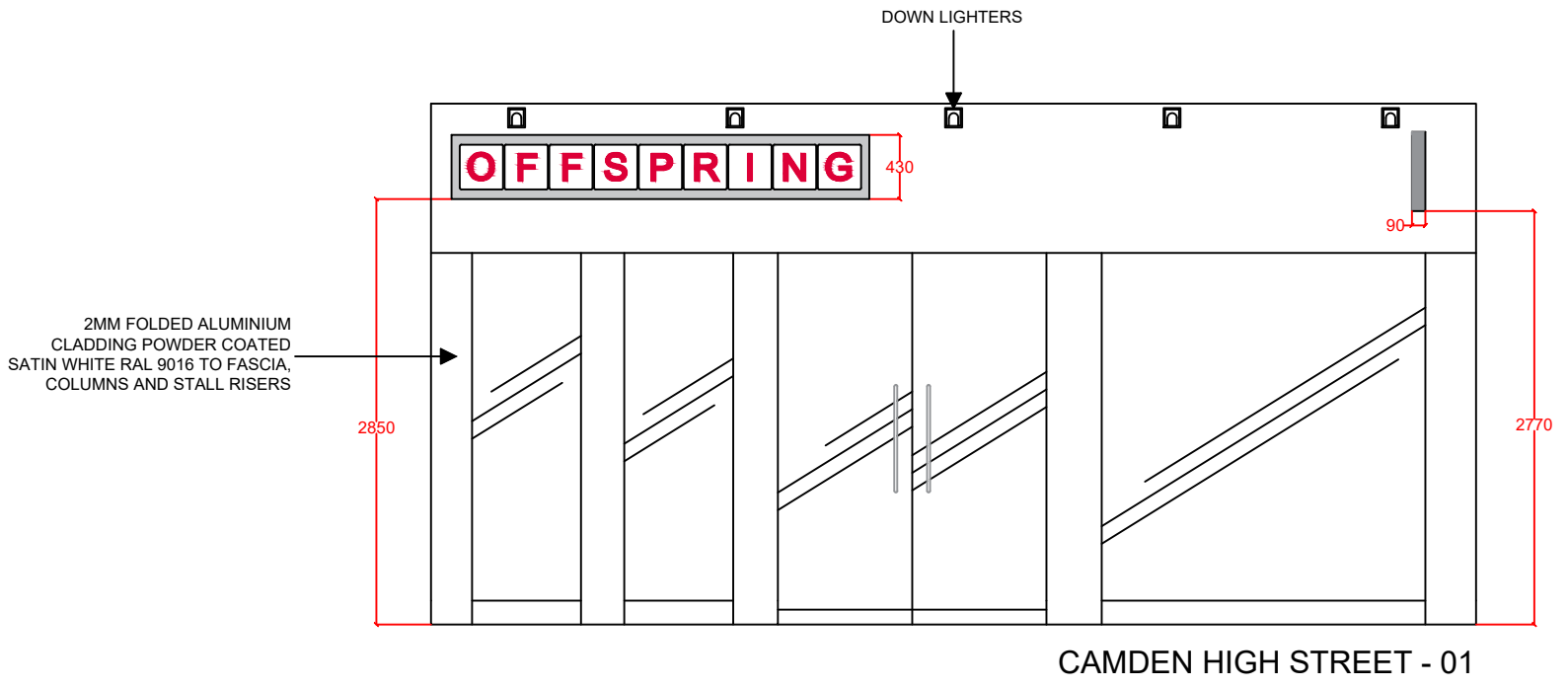
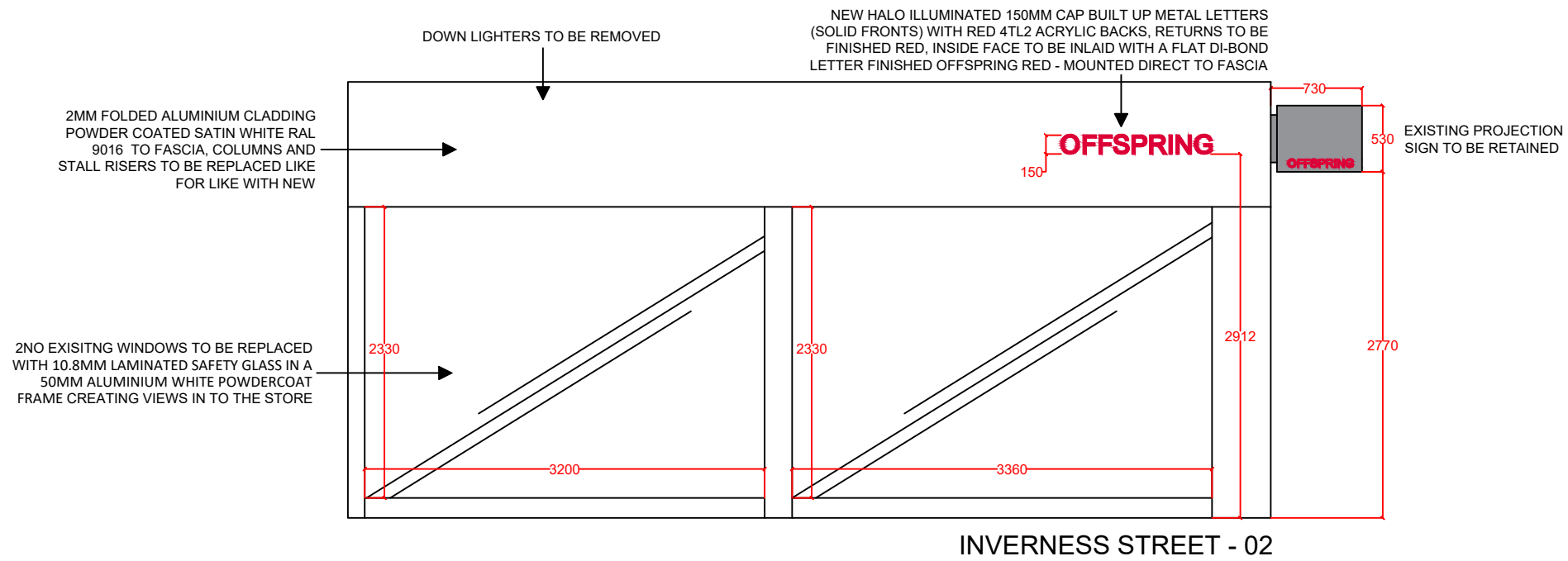
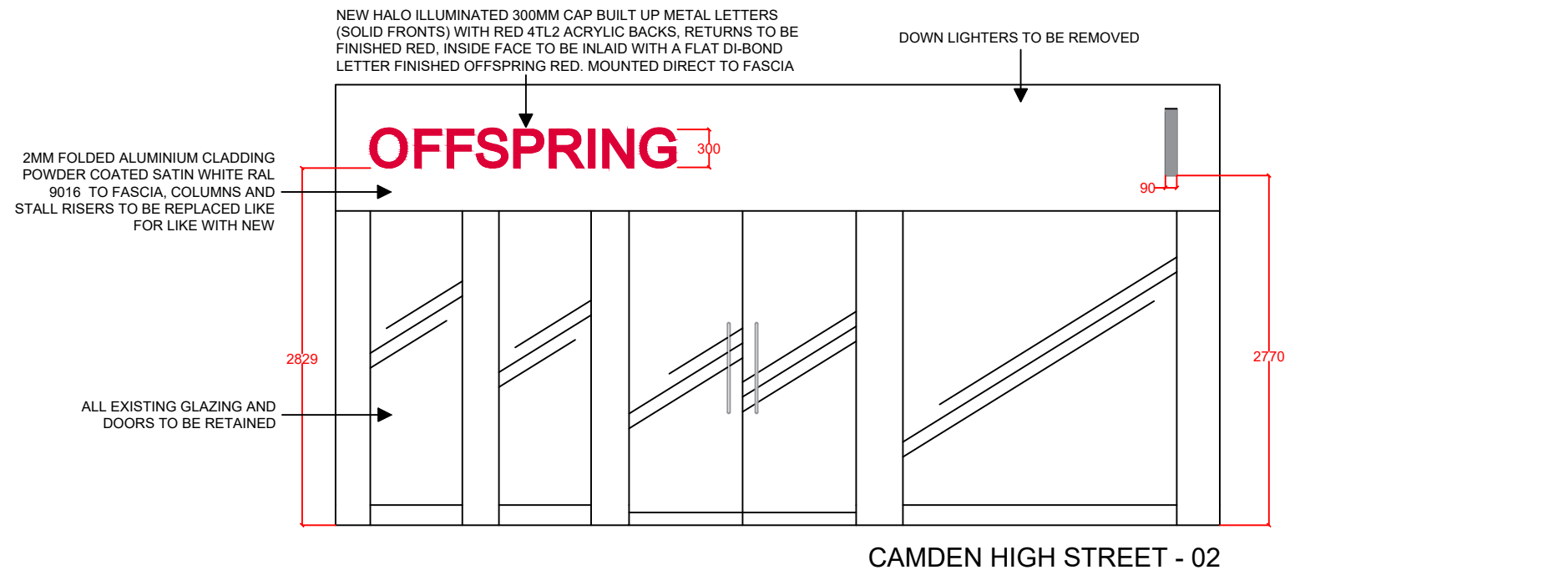


EXISTING FASCIA - 1:50 @ A3



CAMDEN OFFSPRING REFIT

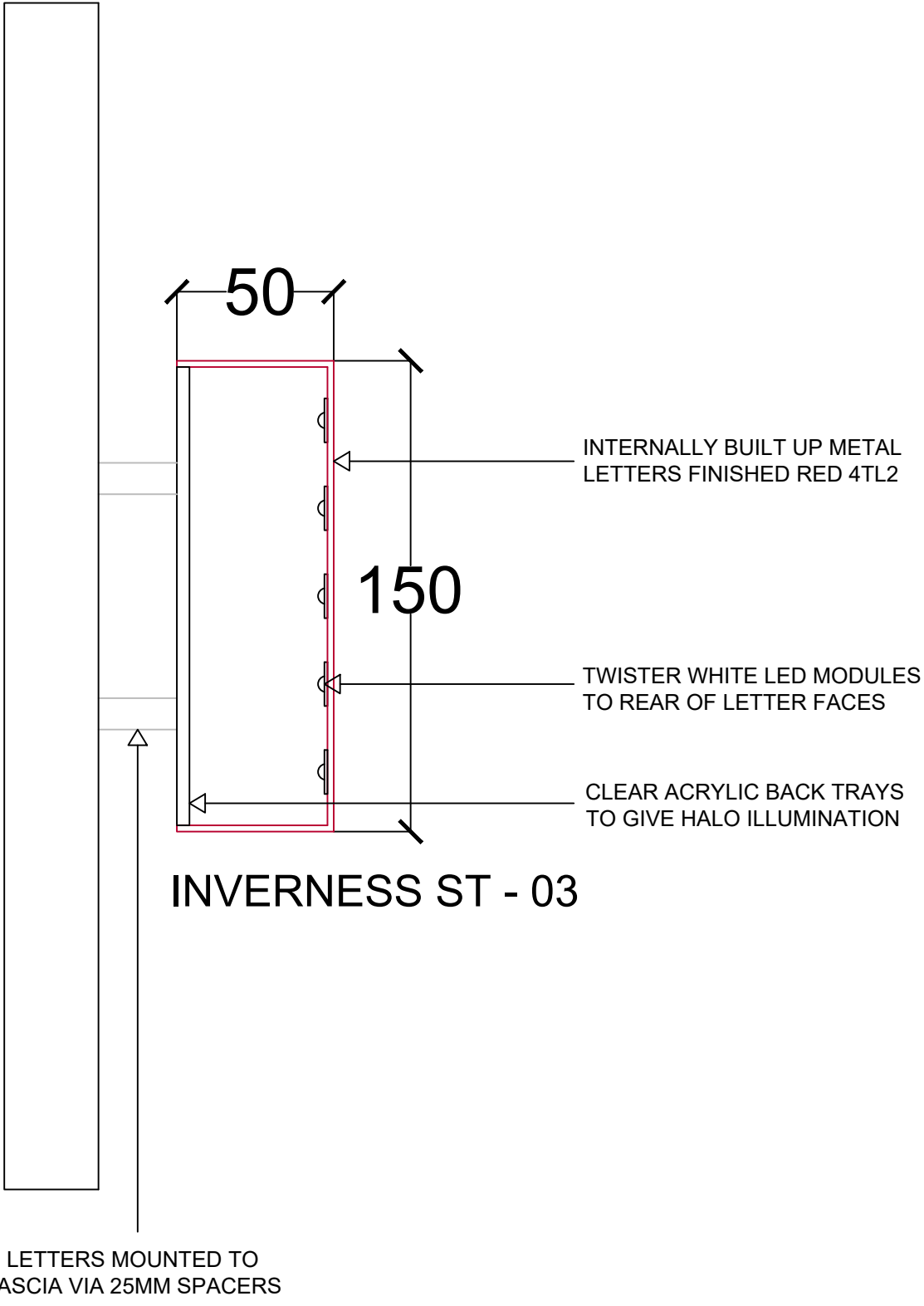
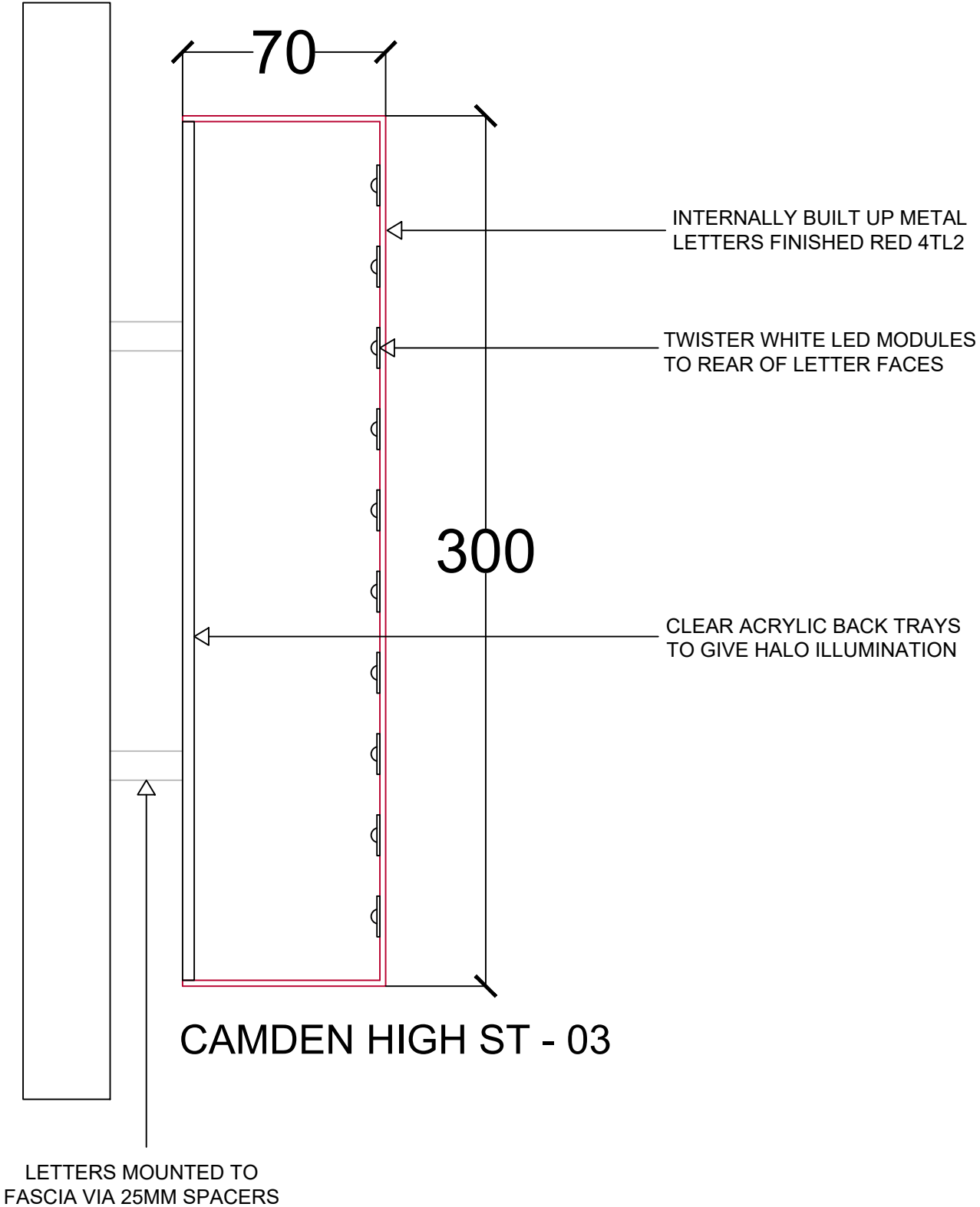
PROPOSED FASCIA - 1:50 @ A3



CAMDEN OFFSPRING REFIT

HALO ILLUMINATION - 1:2 @ A3

LEVEL OF ILLUMINATION = 250 cd/m



CAMDEN OFFSPRING REFIT