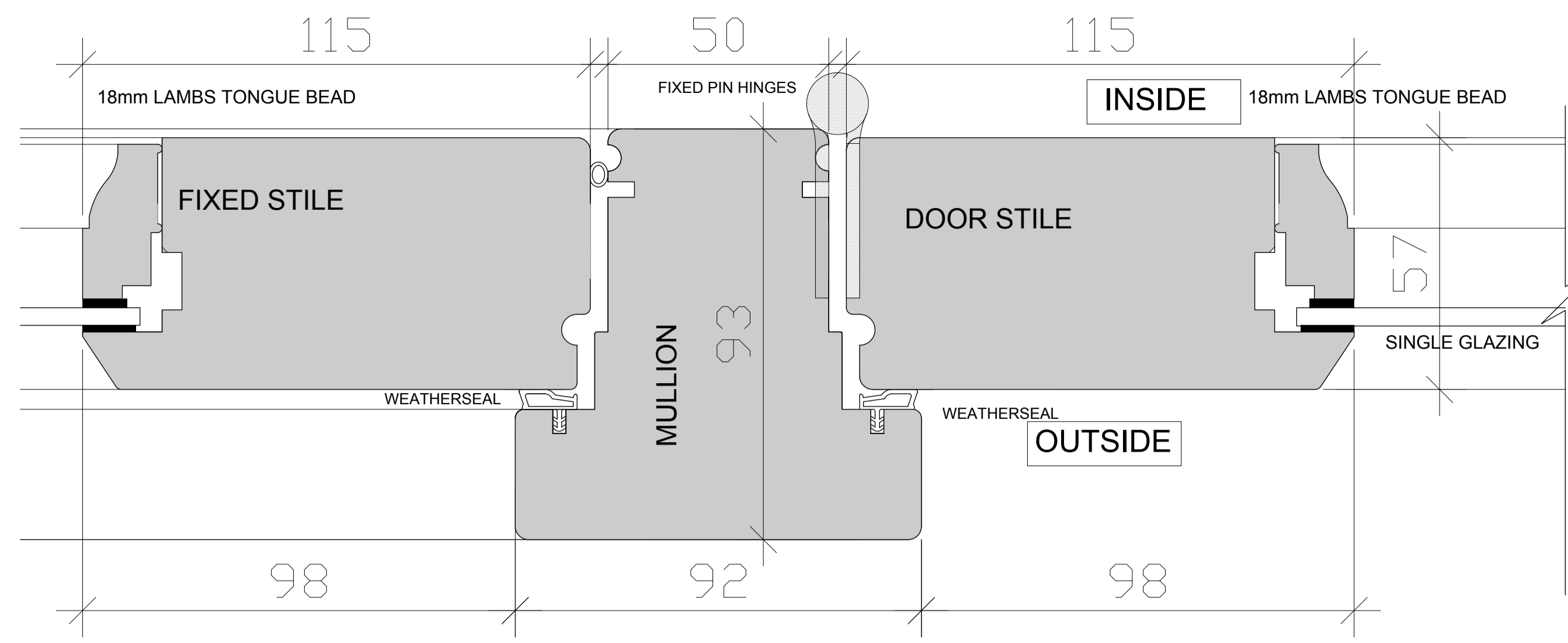
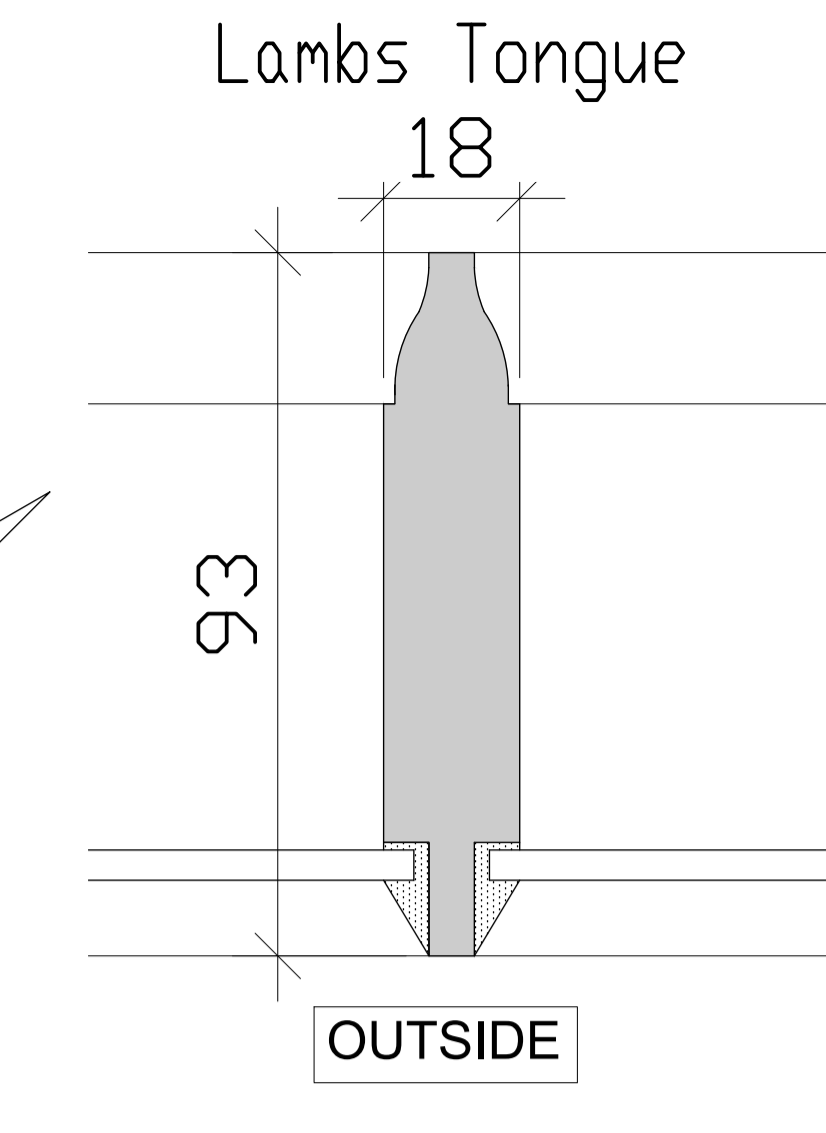


DETAIL D.04 (AT 1:1)



DETAIL D.05 (AT 1:1)



DETAIL D.06 (AT 1:1)

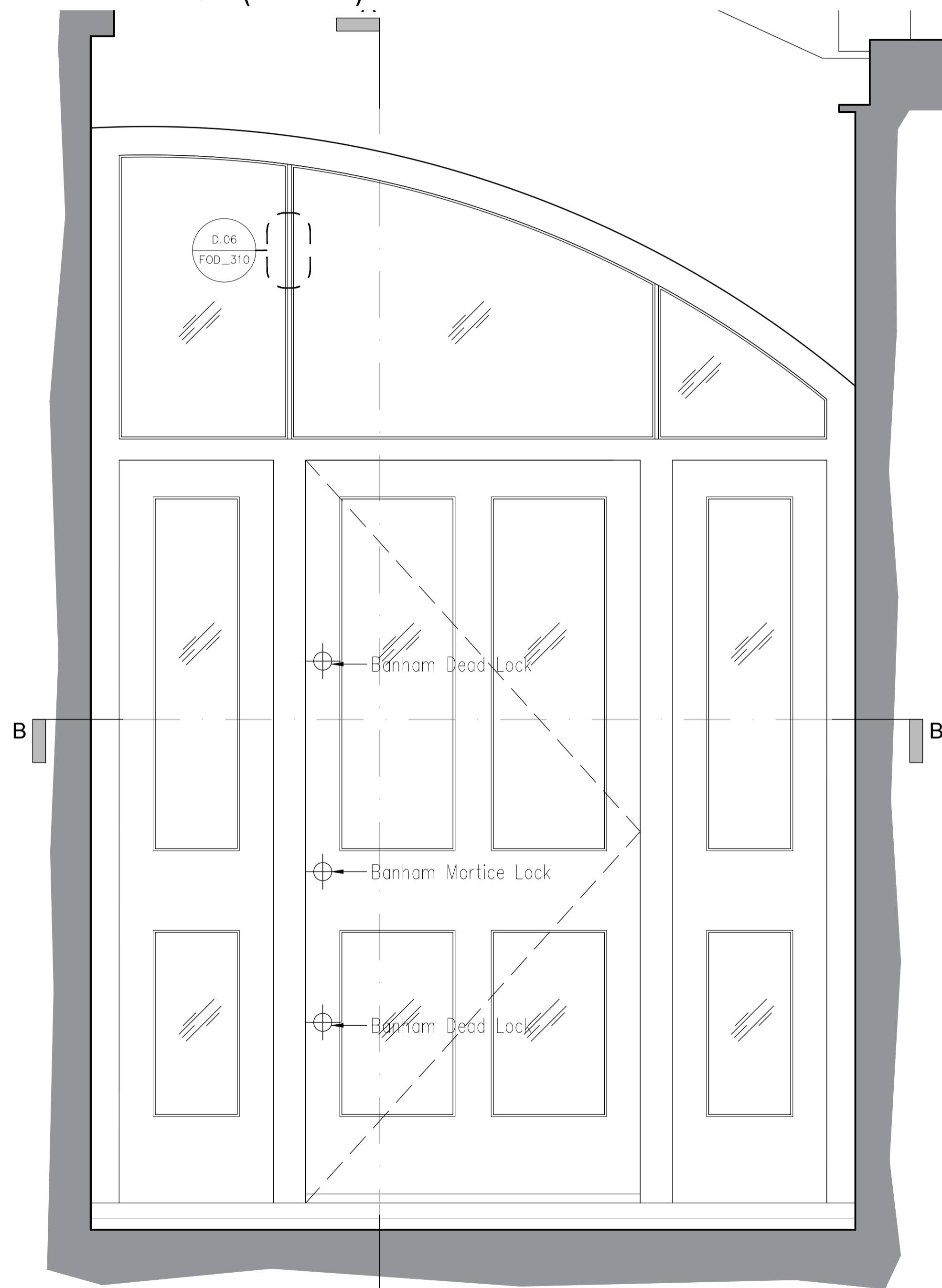
Note
This drawing is not to be scaled. Use figured dimensions only. All dimensions are to be checked on site and any discrepancies, errors or omissions are to be reported to the architect prior to commencement of works.

ALL DIMENSIONS APPROXIMATE

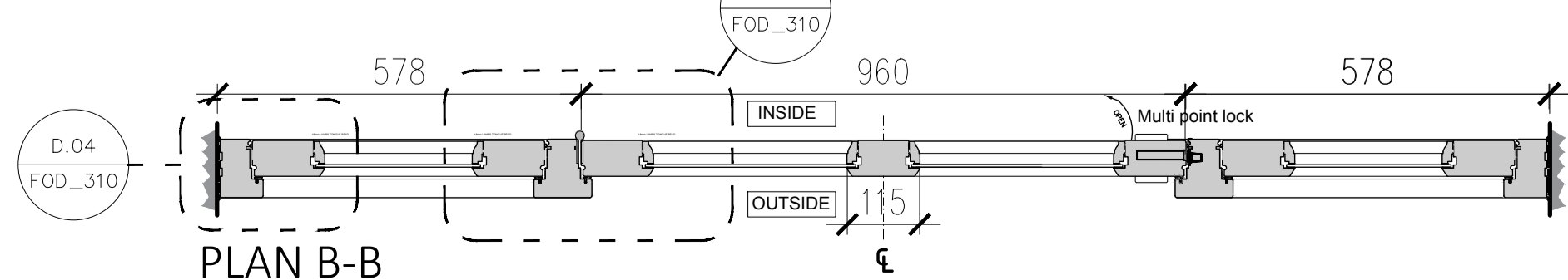
SCHEME DESIGN SUBJECT TO STRUCTURAL ENGINEER /SERVICES ENGINEER, & PLANNERS COMMENT

FOR PLANNING

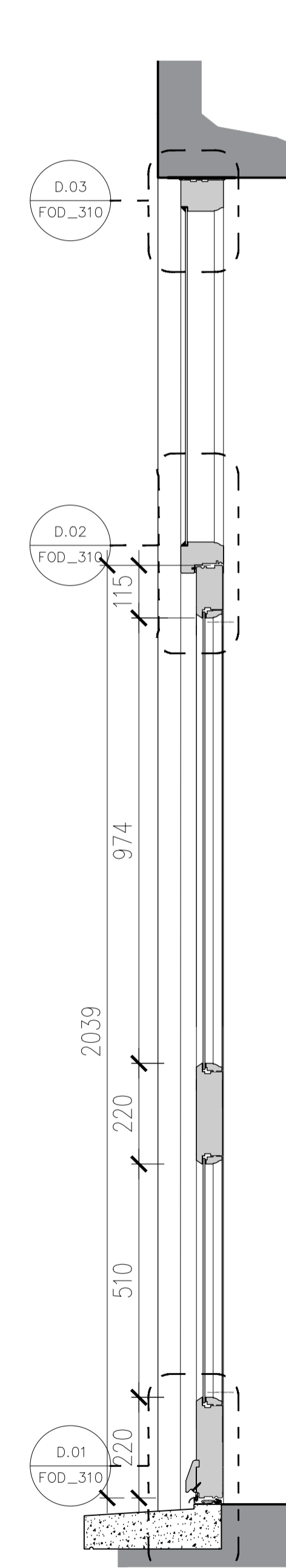
PLANNING CONDITION 4B ref 2016/3082/P
DOOR DETAILS - New proposed side door at lower ground floor



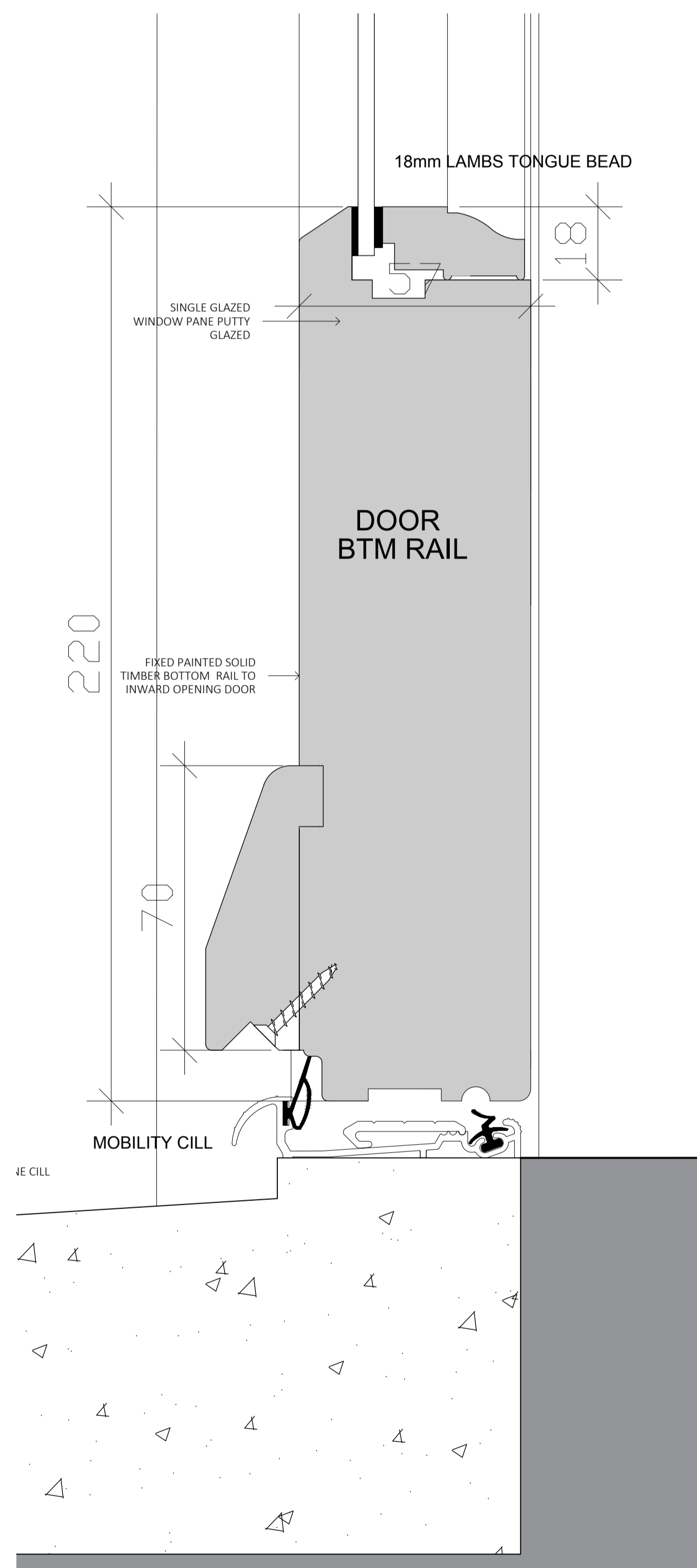
FRONT ELEVATION



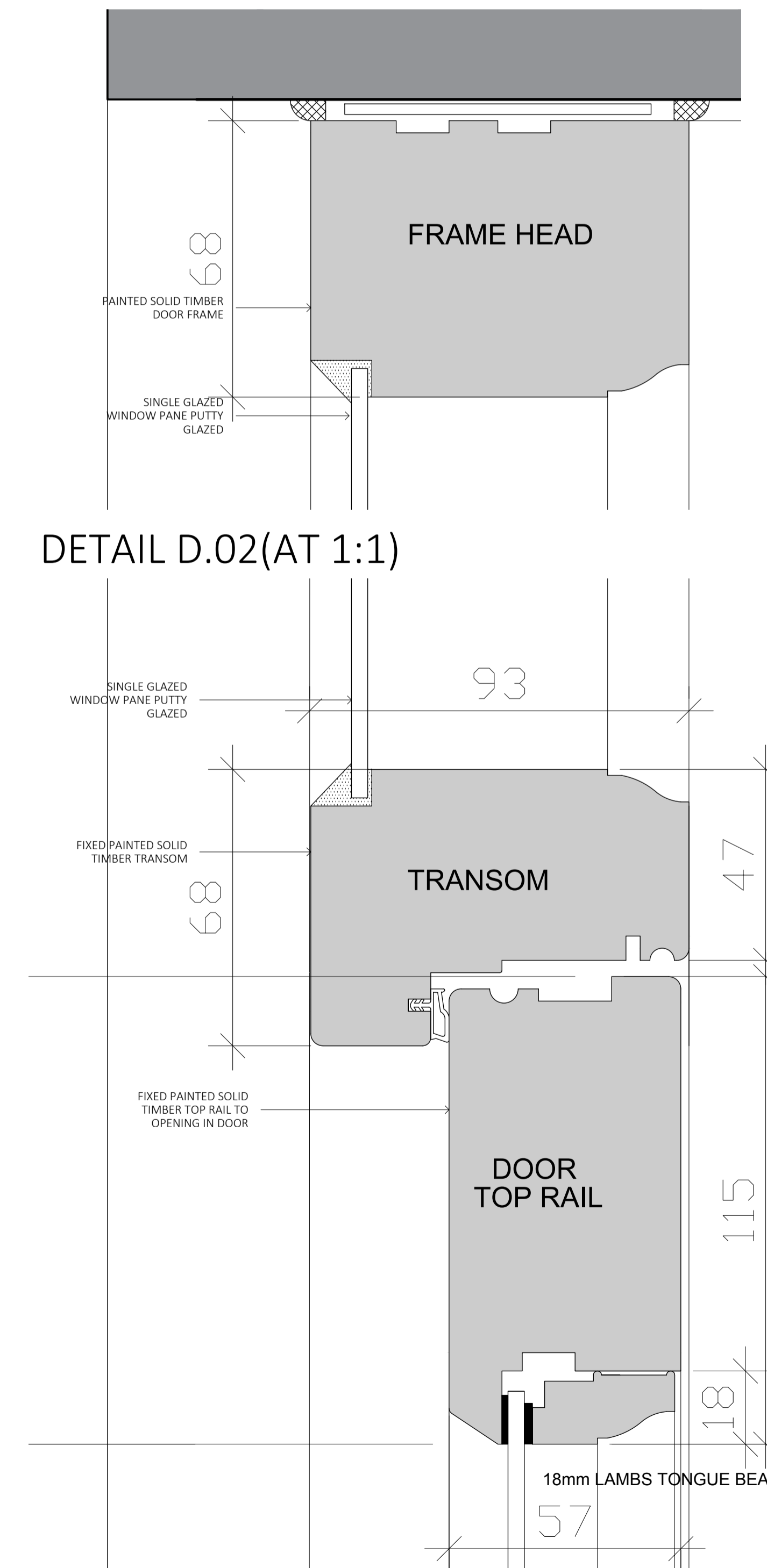
PLAN B-B



SECTION A-A



DETAIL D.01(AT 1:1)



DETAIL D.03(AT 1:1)

I A 15/03/17 | Amendments following client comments | JC 1

BB PARTNERSHIP LTD
CHARTERED ARCHITECTS

Studios 33-34, 10 Hornsey St, London. N7 8EL
Tel 020 7336 8555 - e-mail - architect@bbpartnership.co.uk

client
Amit & Devika Chadha

project
15 Park Square East,
London
NW1 4LH

drawing
New Side Door details
as Proposed

date 12/04/16	scale 1:50 at A1	drawn by JC
drg.no. FOD_310A		revision A

© 2016 BB PARTNERSHIP LIMITED - ALL RIGHTS RESERVED
DO NOT SCALE - CHECK ALL DIMENSIONS ON SITE