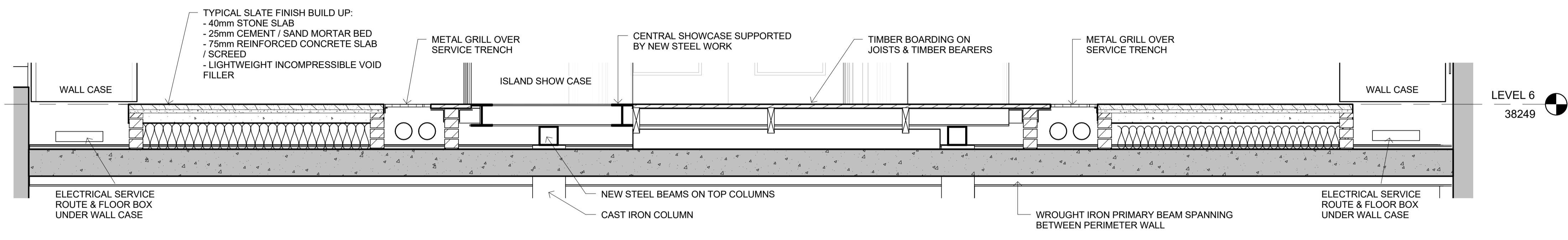
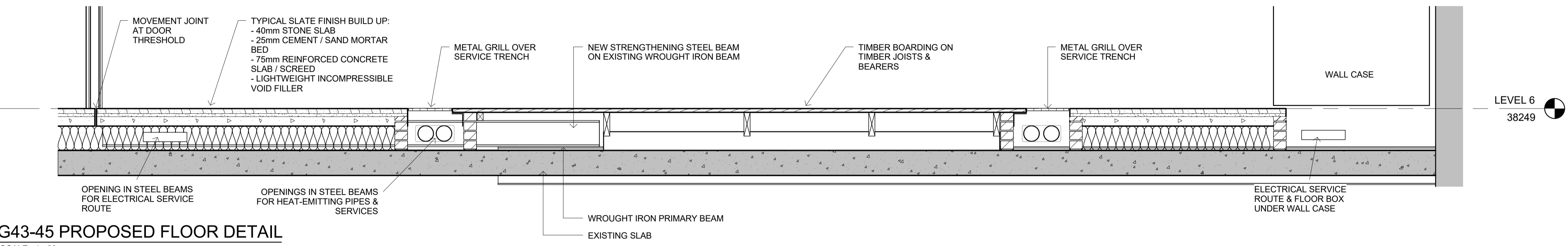


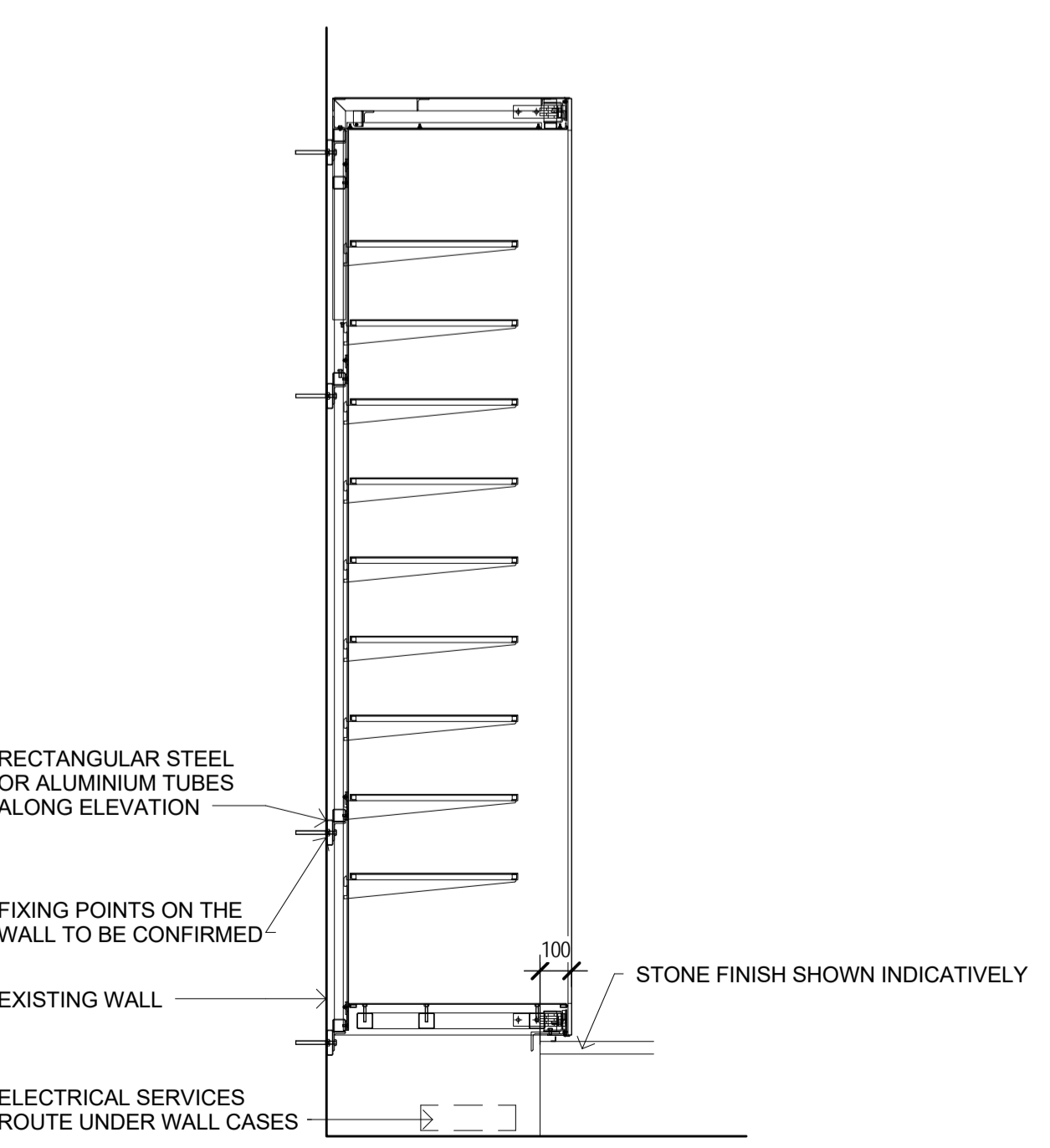
**1 GALLERIES EXISTING FLOOR DETAIL**  
SCALE: 1 : 20



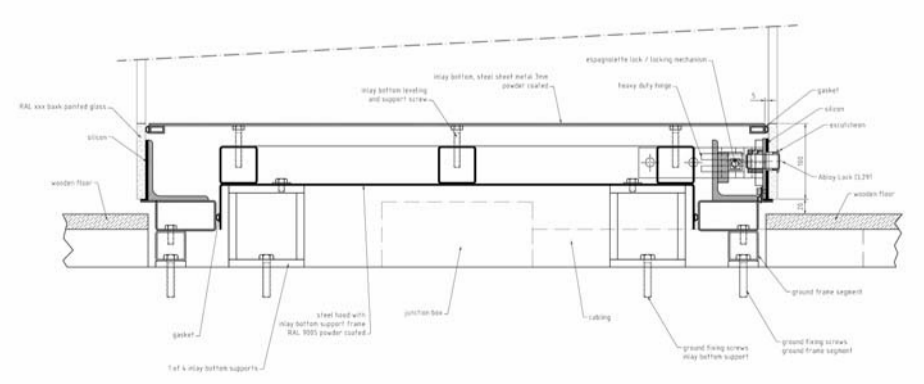
**2 G42 PROPOSED FLOOR DETAIL**  
SCALE: 1 : 20



**3 G43-45 PROPOSED FLOOR DETAIL**  
SCALE: 1 : 20



**4 TYPICAL WALL CASE FIXING DETAIL**  
SCALE: 1 : 20



**5 TYPICAL ISLAND CASE FIXING DETAIL**  
SCALE: 1 : 10

Project  
**ISLAMIC WORLD GALLERIES**  
Prepared For  
**The Trustees of the British Museum**

Project No: 15.33058.00



HOK  
Qube, 90 Whitfield Street  
London, W1T 4EZ, UK  
t +44 (0)20 7636 2006  
f +44 (0)20 7636 1987

All reproduction & intellectual property rights reserved © 2015  
In Association with

Alan Baxter Ltd  
75 Cowcross Street  
London, EC1M 6EL

TGA Consulting Engineers  
The Rivergreen Centre, Aykley Heads  
Durham, DH1 5TS

Baker Mallett  
Suite 1, Churchill Square, Kings Hill  
West Malling, Kent, ME19 4YU

Key Plan

Do not scale dimensions from drawings  
Site verify all dimensions prior to construction  
Report all discrepancies to HOK immediately  
This drawing is to be read in conjunction with all relevant documents and drawings

Rev.	Description	Date	By
A	Statutory Consent Application	17/02/2017	LC

Drawn by: LC Reviewed by: SPD  
Drawn Date: 28/11/2016 Scale: As indicated  
Project No: 15.33058.00

Sheet Title:  
**FLOOR DETAILS**

Original drawing is A1. Do not scale contents of this drawing.  
Sheet Number: Revision:

**A-IWG-910 A**

21/02/2017 17:05:03