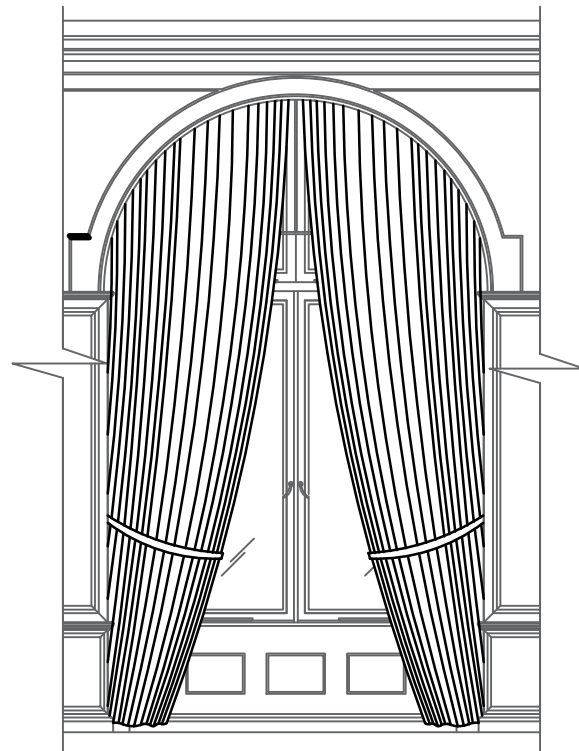
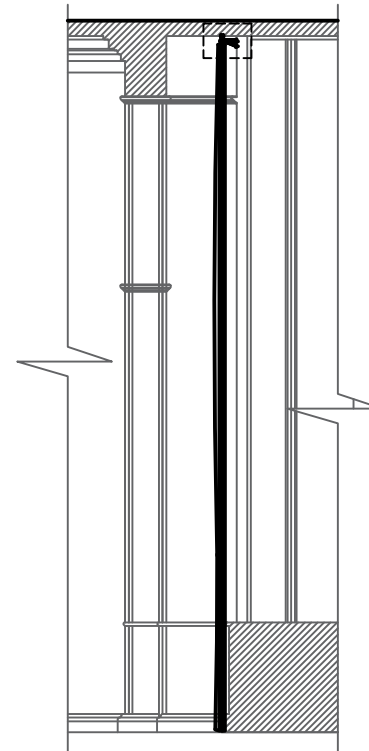


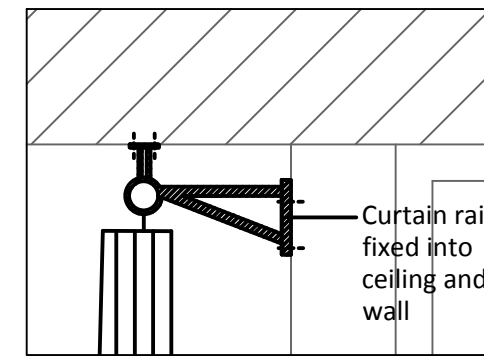
Typical Existing Window Elevation A



Window Elevation A - Proposed Curtains for all 5 No. window bays



Window Section AA - Proposed Curtains



Curtain rail detail 01
Scale 1:2

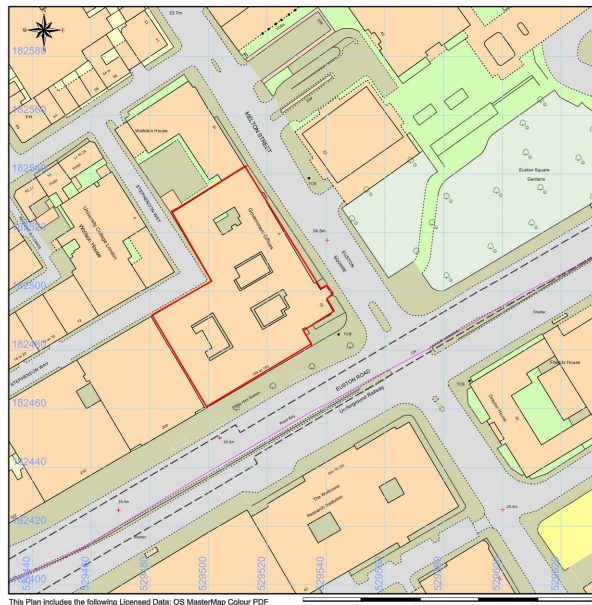
THIS DRAWING IS PROTECTED UNDER COPYRIGHT. THIS DRAWING IS NOT TO BE REPRODUCED IN WHOLE OR PART UNLESS AUTHORISED BY area COPYRIGHT. THIS DRAWING IS NOT TO BE SCALED. THE GENERAL CONTRACTOR IS TO CHECK ALL DIMENSIONS AND NOTIFY THE DESIGNER OF ANY DISCREPANCIES OR OMISSIONS.

DRAWING TO BE READ IN CONJUNCTION WITH SCOPE OF WORKS

CEILING HEIGHT		<p>THIS DRAWING IS ON RECYCLED PAPER</p>
BEAM HEIGHT		
WINDOW HEIGHT		
SILL HEIGHT		

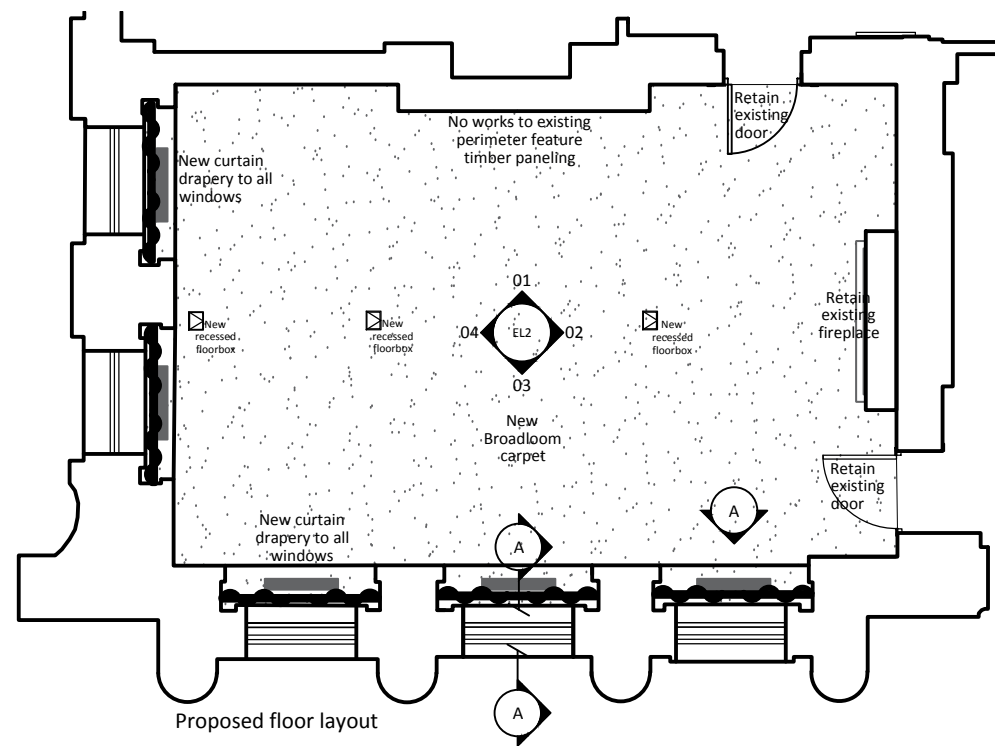
DATE	REV	REVISIONS	SIGN	CHKD

Location Plan #1065997



This Plan includes the following Licensed Data: Ordnance Survey National Geographic Database and incorporating surveyed revision available at the date of production. Reproduction in whole or in part is prohibited without the prior permission of Ordnance Survey. This representation of a road, track or path is no evidence of a right of way. The representation of features, as lines is no evidence of a property boundary. © Crown copyright and database rights, 2016. Ordnance Survey 100021672

Scale: 1:1250, paper size: A4



Proposed floor layout

area²
Fourfront Group

The Old Post Office | 5th Floor,
33 Station Road, | Counting House,
Egham, | Surrey TW20 9LA
T. 01784 274000 | T. 020 7089 6000

info@areasq.co.uk | www.areasq.co.uk

DRAWING STATUS
INFORMATION ONLY

CLIENT
ISS
Royal College of General Practitioners

PROJECT
First Floor
30 Euston Road
London
NW1 2FB

TITLE
Proposed Window Dressing -
Princes Gate Suite

SCALE 1:50, 1:20, 1:2 @ A1

DATE	DRAWN	CHECKED
25.10.16		

PROJECT NO	BLDG.	FLOOR	DETAIL	REV.
5850-12		01		