

KEY PLAN  
NOTE:  
ALL DIMENSIONS WITH \* (STAR) ARE ANTICIPATED AND SHOULD BE CHECKED AND CONFIRMED ON SITE PRIOR TO CONSTRUCTION

General Notes:  
1. All types noted below are based on the British Gypsum range. Similar and approved products will be considered by the client. Any alterations to the specifications below are to be approved by the client PRIOR to order.

2. Drying drawings are to be read in conjunction with all relevant AQP GA and M&E consultant drawings.  
3. Moisture resistant plasterboard is to be used in all wet areas (Kitchens, Bathrooms, En-suites and Utility Cupboards). Areas requiring moisture resistant board are identified with the 'M' prefix in the partition type. Tiled surfaces: MR Plasterboard to be replaced with 12.5mm Glassoc H Tilebacker boards.

4. 18mm WBP plywood support pattresses on proprietary service plates are to be provided in the areas:  
i. Kitchens (Full height)  
ii. Bathrooms (A band between 300-1800mm)  
iii. Living Rooms (1500mm(wide) x 1035mm(high) behind wall mounted TV positions, exact locations to be agreed on site with client).

5. Additional noggings/supports etc are to be provided as necessary for radiators, kitchen units, wall mounted TVs, shower mixers & diverters, etc.  
6. Deflection head details are indicated at partition heads giving min. vertical deflection allowance of 25mm. Extra deep flange channels and packing to be provided in accordance with manufacturers standard details.

7. All necessary beads etc. to be provided.  
General Internal Suspended Ceiling (Newbuild):  
British Gypsum Casoline MF ceiling system finished with 1 no. 12.5mm Wallboard in 'dry areas' and 12.5mm moisture resistant wallboard in 'wet areas'. Gyproframe MFS strap hangers to be fixed to u/s of concrete soffit with Gyproframe M12 soffit cleats. Proprietary primary and secondary support grids to be provided at centres in accordance with manufacturers standard details. All perimeter channels etc. to be provided in accordance with manufacturers standard details. All joints to be taped and jointed, giving a smooth and seamless finish, ready for decoration.

### FOR CONSTRUCTION

REVISION	DRN	CHKD	DATE	
C1	Issued for Construction	NV/KC	TW	23/12/2016



CLIENT  
MOUNT ANVIL LTD



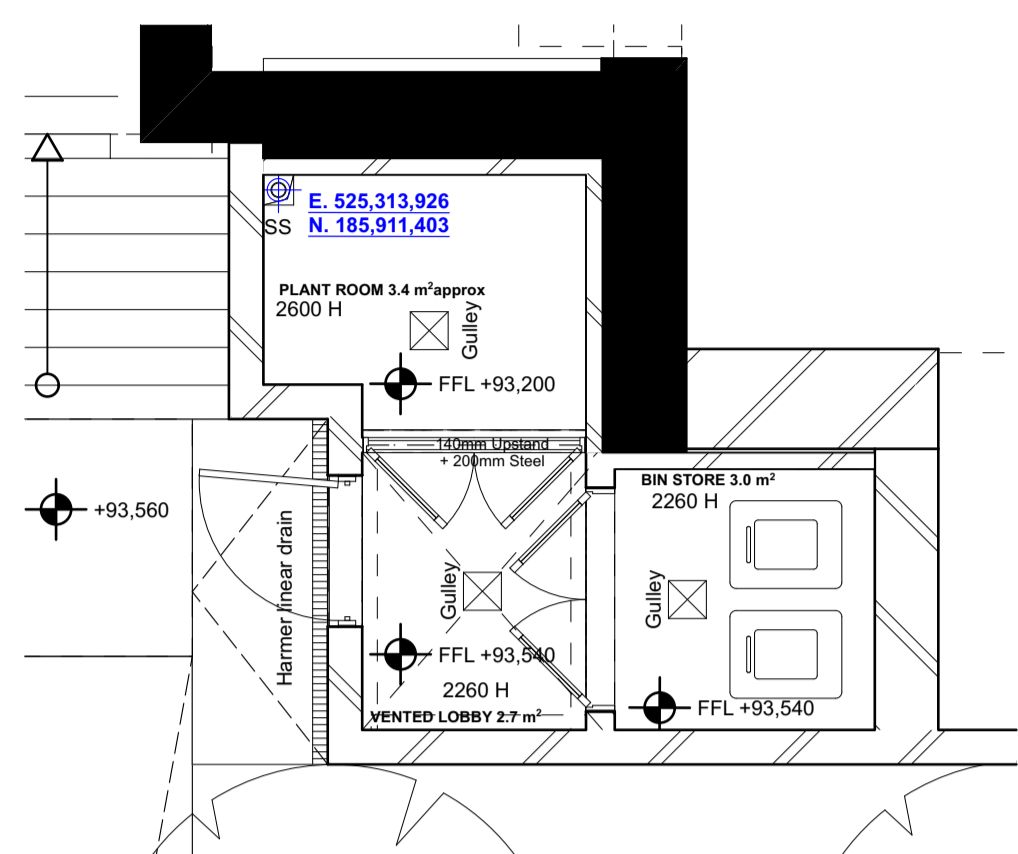
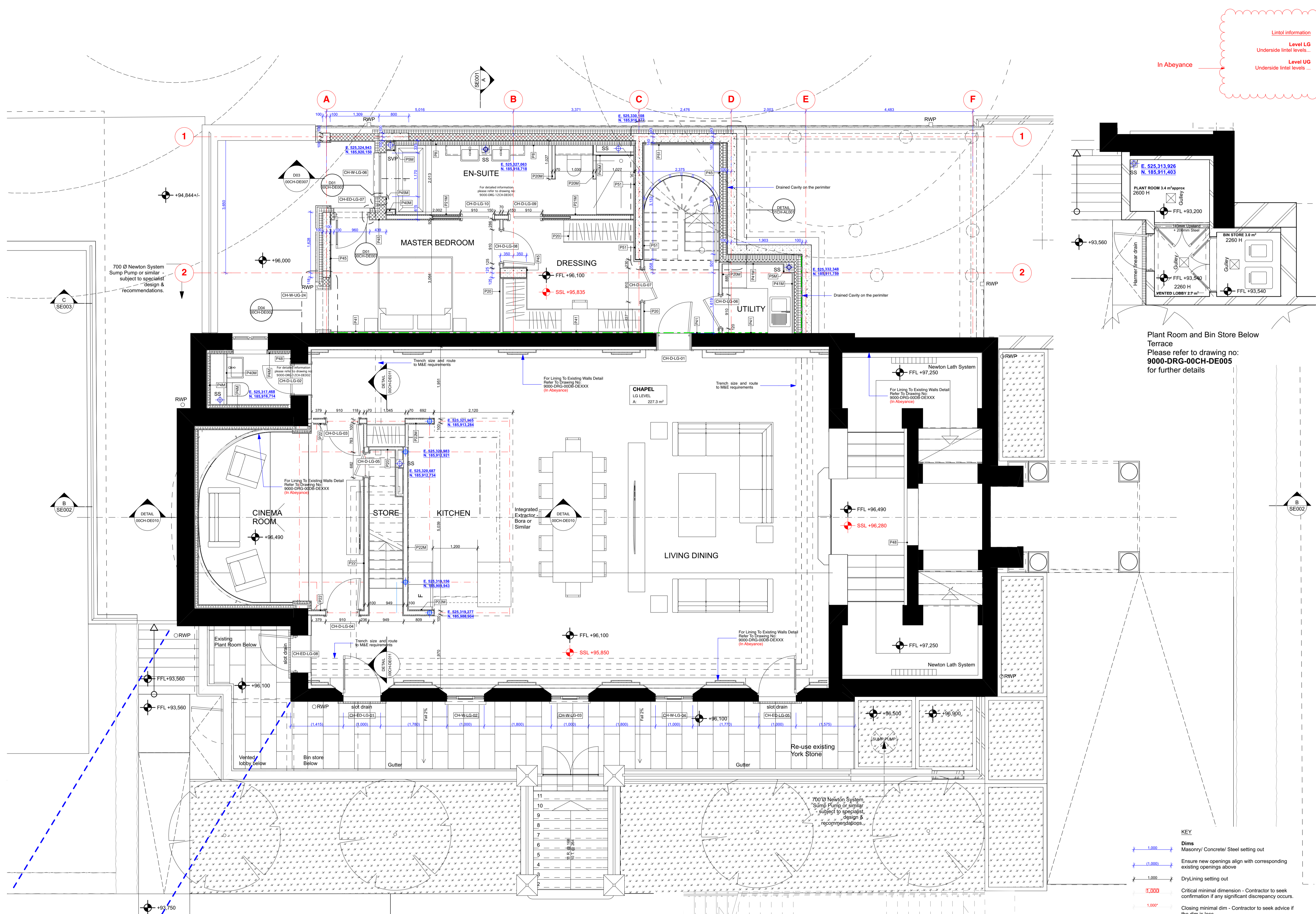
PROJECT  
KIDDERPORE AVENUE

DRAWING  
Chapel  
Level LG Proposed GA Plan

SCALE 1:50, 1:55, 56 @ A1 DATE December 2016

DRAWING No. 15 230  
9000-DRG-03CH-LG10  
DRAWN BY NV  
REV 1

A & Q PARTNERSHIP (LONDON) LTD  
THE LUX BUILDING, 2-4 HOXTON SQUARE, LONDON N1 6 NU  
Tel: 020 7613 2244 Fax: 020 7613 2642 Email: london@aqp.co.uk  
ARCHITECTURE DESIGN MASTERPLANNING INTERIORS



Plant Room and Bin Store Below Terrace  
Please refer to drawing no: 9000-DRG-00CH-DE005 for further details

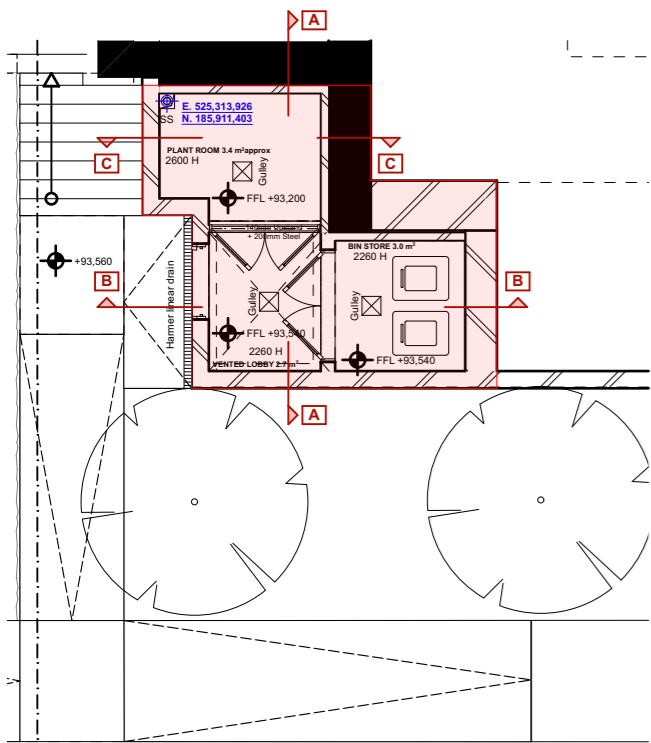
KEY

1.000	Dims
1.000	Masonry/Concrete/Steel setting out
1.000	Ensure new openings align with corresponding existing openings above
1.000	DryLining setting out
1.000	Critical minimal dimension - Contractor to seek confirmation if any significant discrepancy occurs.
1.000	Closing minimal dim - Contractor to seek advice if the dim is less.

**Finishes Legend :**  
**External and Separating Wall Lining Types:**  
**Type P1.** External Metsec Wall - 2 layers of 15mm British Gypsum SoundBloc Moisture Resistant plasterboard (wee' side). All joints to be taped and jointed, giving a smooth and seamless finish ready for decoration.  
**Type P1M.** As type P1, but with outer layer replaced with 15mm Gyproc SoundBloc Moisture Resistant plasterboard.  
**Type P2.** Typical Gyproc Quiet IM, Separating Wall - 2 layers of 15mm British Gypsum SoundBloc or similar to each side. All joints to be taped and jointed, giving a smooth and seamless finish ready for decoration.  
**Type P2M.** As type P2, but with outer layer replaced with 15mm Gyproc SoundBloc Moisture Resistant plasterboard (wee' side).  
**Type P2M2.** As type P2, but with outer layers replaced with 15mm Gyproc SoundBloc Moisture Resistant plasterboard (both sides).  
**Type P3.** Independent Wall Lining Generally to cores - Gypliner IML at 600mm centres with 1 layer of 15mm British Gypsum Gyproc SoundBloc. Fully filled with unfaced mineralwool with min. density 100kg/m³ between studs. All joints to be taped and jointed, giving a smooth and seamless finish, ready for decoration.

**Type P3M.** As type P3, but with outer layer replaced with 15mm Gyproc SoundBloc Moisture Resistant plasterboard (wee' side).  
**Type P4.** Thermal Lining to existing buildings (upper floors) - Gypliner Universal GL1 channels at 600mm centres (packed with 50mm Kooltherm K12 board - insulation notched where required) with 32.5mm Kooltherm K118 (20mm rigid insulation with 12.5mm Plasterboard with integrated VCL). All joints to be taped and jointed, giving a smooth and seamless finish, ready for decoration. 32.5mm Kooltherm K118 to window returns.  
**Type P4M.** Thermal Lining to existing buildings to Wet areas (upper floors) - Gypliner Universal GL1 channels at 600mm centres with 32.5mm timber studs, 82.5mm Kooltherm K12 board - insulation notched where required with 12.5mm Gyproc Wallboard Moisture Resistant. All joints to be taped and jointed, giving a smooth and seamless finish, ready for decoration.  
**Type P5 & P5M.** SVP Boxing, 2 no. layers 15mm SoundBloc plasterboard, on 150mm Gyproframe studwork generally to trap casings. All joints to be taped and jointed, giving a smooth and seamless finish, ready for decoration. Pipework to be wrapped in 50mm unfaced mineral wool. NB. 15mm SoundBloc MR to replace outer layer of boxing in 'Wet areas' (Bathrooms, WCs, Utility Cupboards, Kitchens, etc). Boxings to be fully filled with insulation when adjoining soft party walls.  
**Type P6.** Separating Wall Gyproc Quiet IML (Community Facility) - 2 no. layer of 15mm British Gypsum Duralene (both sides). All joints to be taped and jointed, giving a smooth and seamless finish ready for decoration.  
**Type P7.** Service Riser Wall (Shallow) FR60 minutes - 2 layers (generally to existing buildings - Basements) - Gypliner IML at 600mm centres with 1 layer of 12.5mm British Gypsum Gyproc Wallboard on 92 studs. Fully filled with unfaced mineralwool, densely 100kg/m³ between studs. All joints to be taped and jointed, giving a smooth and seamless finish, ready for decoration.  
**Type P8.** Thermal Lining to existing buildings to Wet areas (upper floors) - Gypliner Universal GL1 channels at 600mm centres with 32.5mm timber studs, 82.5mm Kooltherm K12 board - insulation notched where required with 12.5mm Gyproc Wallboard Moisture Resistant. All joints to be taped and jointed, giving a smooth and seamless finish, ready for decoration.  
**Type P9.** Load-bearing studwork to external Wall (Rosalind Franklin) 2 no. layers of 15mm British Gypsum Gyproc on Vapour Control layer. All joints to be taped and jointed, giving a smooth and seamless finish ready for decoration.  
**Type P9M.** As type P9, but with SoundBloc replaced with 15mm Gyproc SoundBloc Moisture Resistant plasterboard.

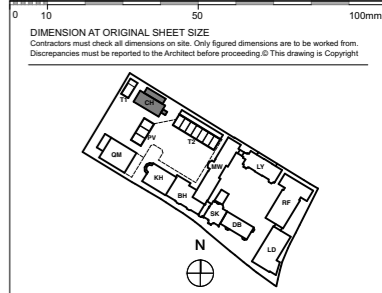
**Type P10.** Separating Wall Gyproc Quiet IML (Pavilions) - 2 no. layer of 15mm British Gypsum SoundBloc or similar to each side. All joints to be taped and jointed, giving a smooth and seamless finish ready for decoration.  
**Type P10M.** As type P10, but with one side of SoundBloc replaced with 15mm Gyproc SoundBloc Moisture Resistant plasterboard (wee' side).  
**Type P10M2.** As type P10, but with outer layers replaced with 15mm Gyproc SoundBloc Moisture Resistant plasterboard (both sides).  
**Internal Partitions:**  
**Type P20.** Internal Partition with 97mm 70mm Gyproframe 'C' studs at max. 600mm centres with 1 layer of 12.5mm British Gypsum Gyproc SoundBloc to both sides. All joints to be taped and jointed, giving a smooth and seamless finish, ready for decoration.  
**Type P20M.** As type P20, but with one side of SoundBloc replaced with 12.5mm Gyproc Wallboard Moisture Resistant plasterboard (wee' side).  
**Type P20M2.** As type P20, but with both layers replaced with 12.5mm Gyproc SoundBloc Moisture Resistant plasterboard (both sides).  
**Type P21.** Internal Partition with 155mm 92mm Gyproframe 'C' studs at max. 600mm centres with 1 layer of 12.5mm British Gypsum Gyproc SoundBloc on 18mm Plywood to both sides. All joints to be taped and jointed, giving a smooth and seamless finish, ready for decoration.  
**Type P21M.** As type P21, but with one side of SoundBloc replaced with 12.5mm Gyproc SoundBloc Moisture Resistant plasterboard (wee' side).  
**Type P21M2.** As type P21, but with both layers replaced with 12.5mm Gyproc SoundBloc Moisture Resistant plasterboard (both sides).  
**Type P22.** Timber stud braced wall. 100mm timber studs at 600mm centres with 1 layer of 18mm Plywood to each side and 1 layer of 12.5mm Gyproc SoundBloc Moisture Resistant plasterboard (wee' side).  
**Type P22M.** As type P22, but with one side of SoundBloc replaced with 12.5mm Gyproc Wallboard Moisture Resistant plasterboard (wee' side).  
**Type P22M2.** As type P22, but with both layers replaced with 12.5mm Gyproc Wallboard Moisture Resistant plasterboard (wee' side).  
**Type P23.** Timber stud braced wall. 140mm timber studs at 600mm centres with 1 layer of 18mm Plywood to both sides and 1 layer of 12.5mm Gyproc SoundBloc plasterboard to both sides. All joints to be taped and jointed, giving a smooth and seamless finish, ready for decoration.  
**Type P23M.** As type P23, but with one side SoundBloc replaced with 12.5mm Gyproc SoundBloc Moisture Resistant plasterboard (wee' side).  
**Type P24.** Internal Partition with 122mm 70mm Gyproframe 'C' studs at max. 600mm centres with 2 layers of 12.5mm British Gypsum Gyproc SoundBloc to each side. All joints to be taped and jointed, giving a smooth and seamless finish, ready for decoration.  
**Type P24M.** As type P24, but with one side of SoundBloc replaced with 12.5mm Gyproc SoundBloc Moisture Resistant plasterboard (wee' side).  
**Type P25.** Timber Stud Wall (Queen Mothers Hall) 100mm Stud Wall with 1 layer of 12.5mm British Gypsum Gyproc Wallboard. All joints to be taped and jointed, giving a smooth and seamless finish, ready for decoration.  
**Type P25M.** As type P25, but with one side of SoundBloc replaced with 12.5mm Gyproc Wallboard Moisture Resistant plasterboard (wee' side).  
**Type P25M2.** As type P25, but with both layers replaced with 12.5mm Gyproc Wallboard Moisture Resistant plasterboard (wee' side).  
**Type P40.** Typical Sacrificial Wall (Generally for WC Drainage runs) - Gypliner Universal GL1 channel with offset of 125mm at 600mm centres (GL3 fixing brackets) with 1 layer of 12.5mm British Gypsum Wallboard to one side. All joints to be taped and jointed, giving a smooth and seamless finish, ready for decoration.  
**Type P40M.** As type P40 but with the layer of Plasterboard replaced with Gyproc Moisture Resistant plasterboard to wee' area.  
**Type P41.** Typical Sacrificial Wall - Gypliner Universal GL1 channel with offset of 35mm at 600mm centres (GL2 fixing brackets) with 1 layer of 12.5mm British Gypsum Wallboard to one side. All joints to be taped and jointed, giving a smooth and seamless finish, ready for decoration.  
**Type P41M.** As type P41 but with the layer of Plasterboard replaced with Gyproc Moisture Resistant plasterboard to wee' area.  
**Type P42.** Typical Sacrificial Wall (Generally for 40mm Drainage runs) - Gypliner Universal GL1 channel with offset of 70mm at 600mm centres (GL2 fixing brackets) with 1 layer of 12.5mm British Gypsum wallboard. All joints to be taped and jointed, giving a smooth and seamless finish, ready for decoration.  
**Type P42M.** As type P42 but with the layer of Plasterboard replaced with Gyproc Moisture Resistant plasterboard to wee' area.  
**Type P43.** Typical Sacrificial Wall (Generally for WC Drainage runs) - Gypliner Universal GL1 channel with offset of 125mm at 600mm centres (GL3 fixing brackets) with 1 layer of 12.5mm British Gypsum Wallboard to one side. All joints to be taped and jointed, giving a smooth and seamless finish, ready for decoration.  
**Type P43M.** As type P43 but with the layer of Plasterboard replaced with Gyproc Moisture Resistant plasterboard to wee' area.  
**Type P44.** Lining to cavity brick, separating walls - 1 layer of 12.5mm British Gypsum wallboard on 10mm adhesive dabs on 60mm parge coat (Gyproc SoundBloc Plus). All joints to be taped and jointed, giving a smooth and seamless finish, ready for decoration.  
**Type P44M.** As type P44 but with the layer of Plasterboard replaced with Gyproc Moisture Resistant plasterboard to wee' area.  
**Type P45.** Typical Lining to RC, blockwork columns, walls - 12.5mm Gyproc SoundBloc on dabs. All joints to be taped and jointed, giving a smooth and seamless finish, ready for decoration.  
**Type P45M.** As type P45 but with outer layer replaced by 12.5mm Gyproc MR Board on dabs. All joints to be taped and jointed, giving a smooth and seamless finish, ready for decoration.  
**Type P46.** Plaster to Leisure Area (not to pool), Thistle HardWall by British Gypsum, nom. 11-12mm.  
**Type P47.** Tiling to pool area. Microtec Fibre reinforced floor adhesive (Ardex X 77) or similar. Thickness varies depending on site types (to pool specialist's specification).  
**Type P48.** Plaster Repair to existing Walls.  
**Type P49.** Lime Plaster repair to existing Walls.  
**Type P50.** Variable Lining / Sacrificial Wall - Gypliner Universal GL1 channel with offset of 35mm at 600mm centres (GL2 fixing brackets) with 1 layer of 12.5mm British Gypsum wallboard. All joints to be taped and jointed, giving a smooth and seamless finish, ready for decoration.  
**Type P50M.** As type P50 but with the one side of Plasterboard replaced with Gyproc Moisture Resistant plasterboard to wee' area.  
**Type P51.** Drained Cavity with Gypliner Universal (Generally within Basements) GL1 channel with 1 layer of 12.5mm British Gypsum wallboard, fully filled with insulation (mineral wool). All joints to be taped and jointed, giving a smooth and seamless finish, ready for decoration.  
**Type P51M.** As type P51 but with Plasterboard replaced with Gyproc Moisture Resistant plasterboard to wee' area.  
**Type P52.** Drained Cavity with mesh system (generally within basements) with 10mm Cavity membrane & 15mm Plaster finish to manufacturers recommendations.



PLANTROOM AND BIN STORE 1:100



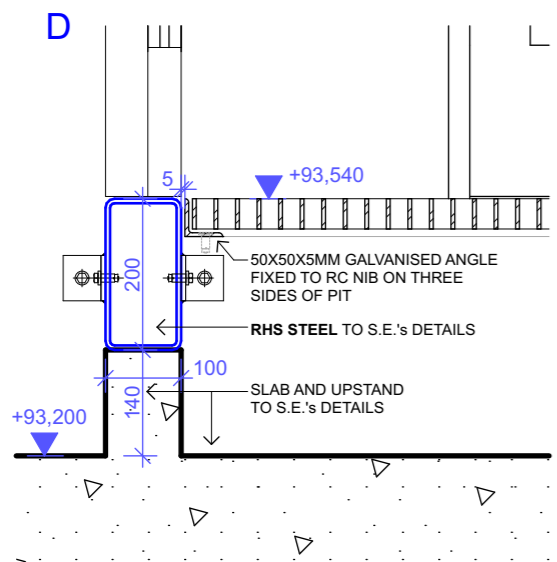
PLANTROOM WEST ELEVATION 1:50



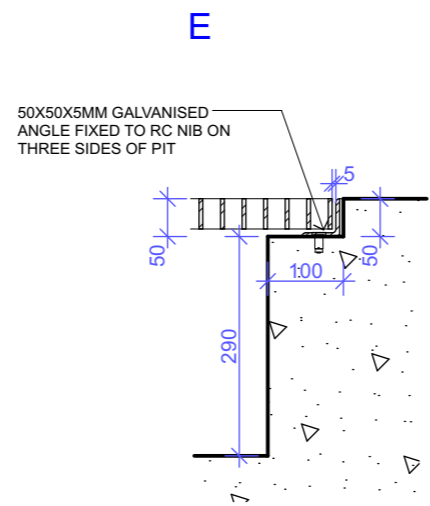
KEY PLAN  
NOTE:  
ALL DIMS TO BE CHECKED ON SITE PRIOR MANUFACTURING.

PLANTROOM WEST ELEVATION 01

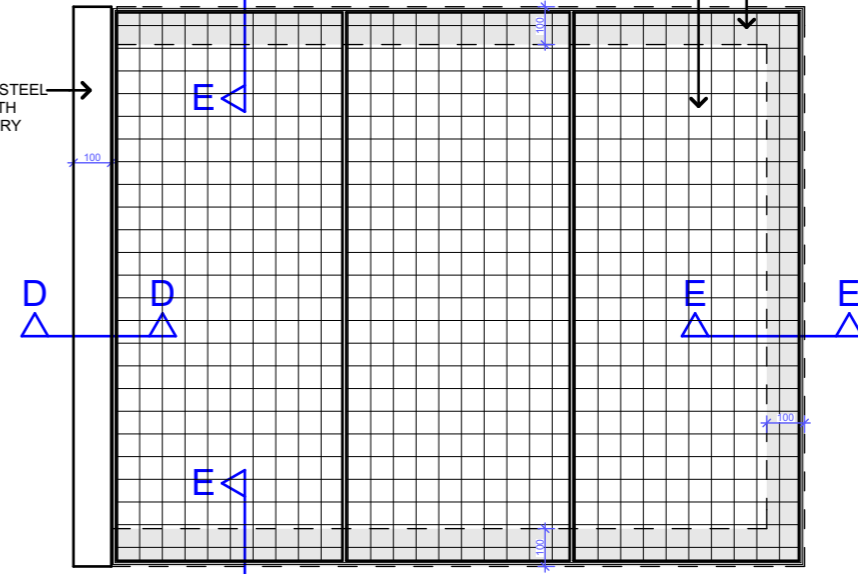
CAST RC SUPPORT NIBS AT 100mm TO THREE SIDES OF THE PIT  
GALVANISED GRATE GANTRY WALKWAY



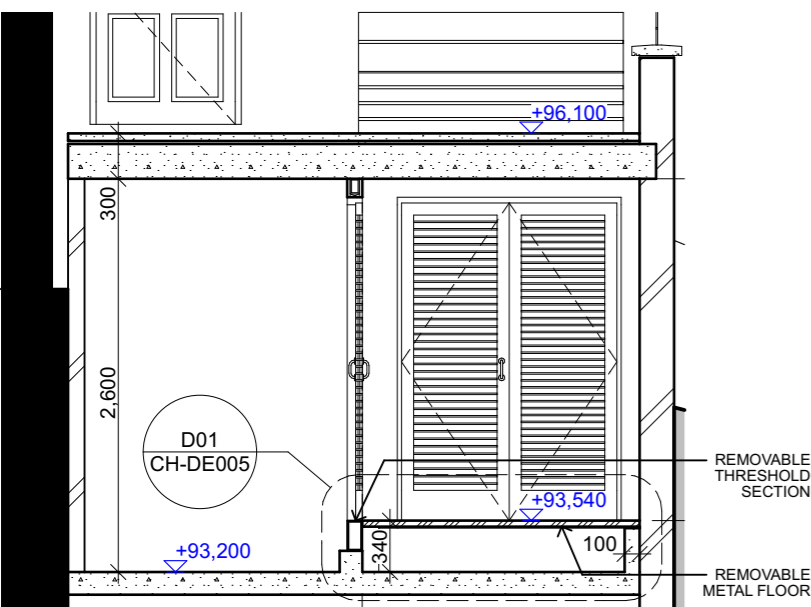
D01 CH-DE005 1:10



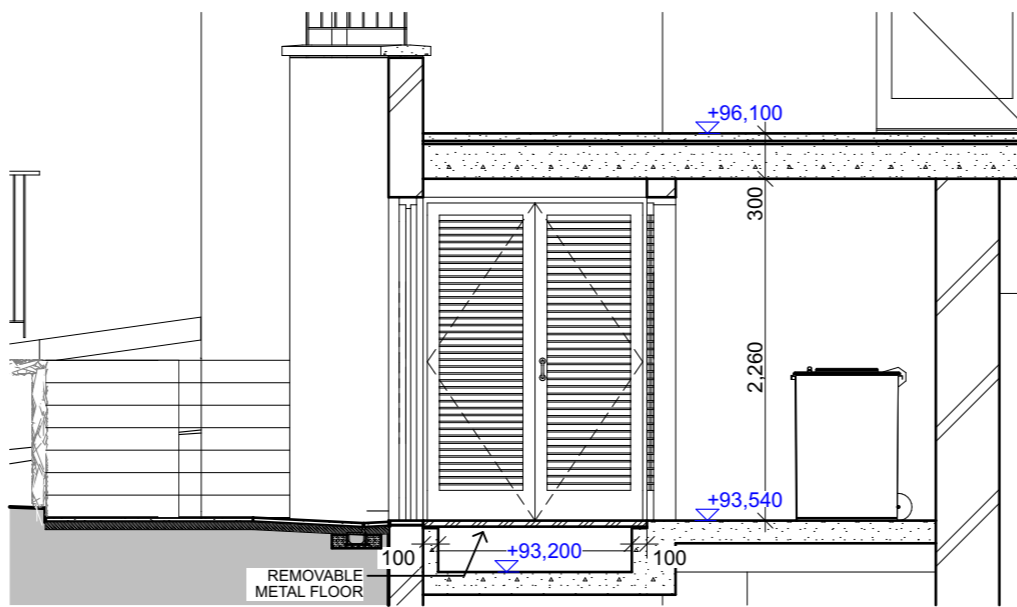
TOP OF RHS STEEL FLUSHED WITH GRATE GANTRY



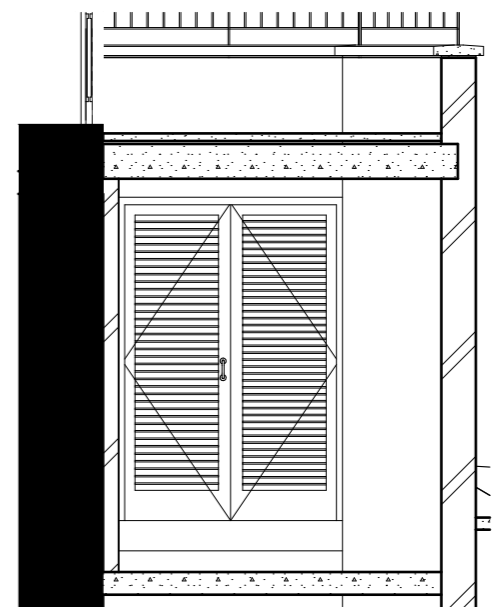
GALVANIZED GRATE PLAN 1:20



SECTION A-A 1:50



SECTION B-B 1:50



SECTION C-C 1:50

FOR CONSTRUCTION

REVISION	DRN	CHKD	DATE
C1 First Issue	GC	KC	23/12/2016
C2 External Wall Light Added	K/C	KC	20/01/2017



PROJECT  
KIDDERPORE AVENUE

DRAWING  
Chapel  
Plantroom & Bin Store

SCALE 1:50, 1:10, 1:20 @ A3 DATE  
January 2017

DRAWING No. 15 230  
9000-DRG-00CH- DE005  
DRAWN BY NV  
REV C2

A & Q PARTNERSHIP (LONDON) LTD  
THE LUX BUILDING, 2-4 HOXTON SQUARE, LONDON N1 6 NU  
Tel: 020 7613 2244 Fax: 020 7613 2642 Email: london@aqp.co.uk  
ARCHITECTURE DESIGN MASTERPLANNING INTERIORS