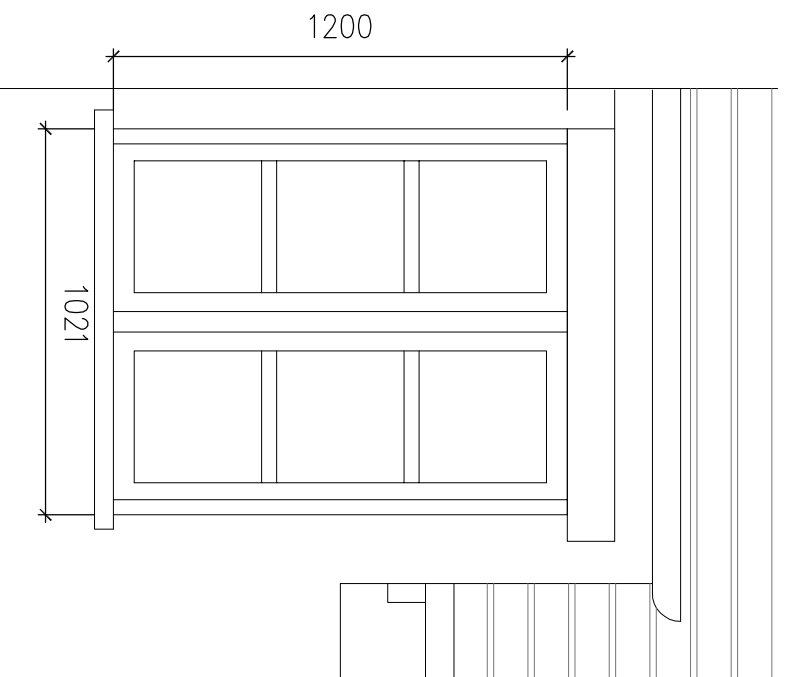
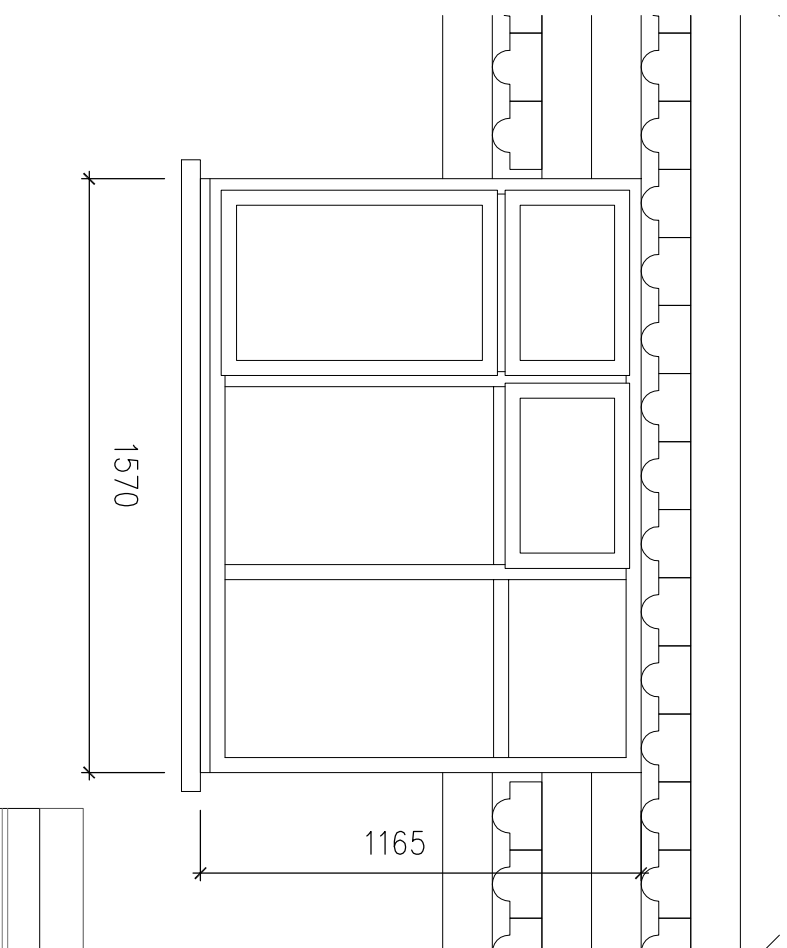


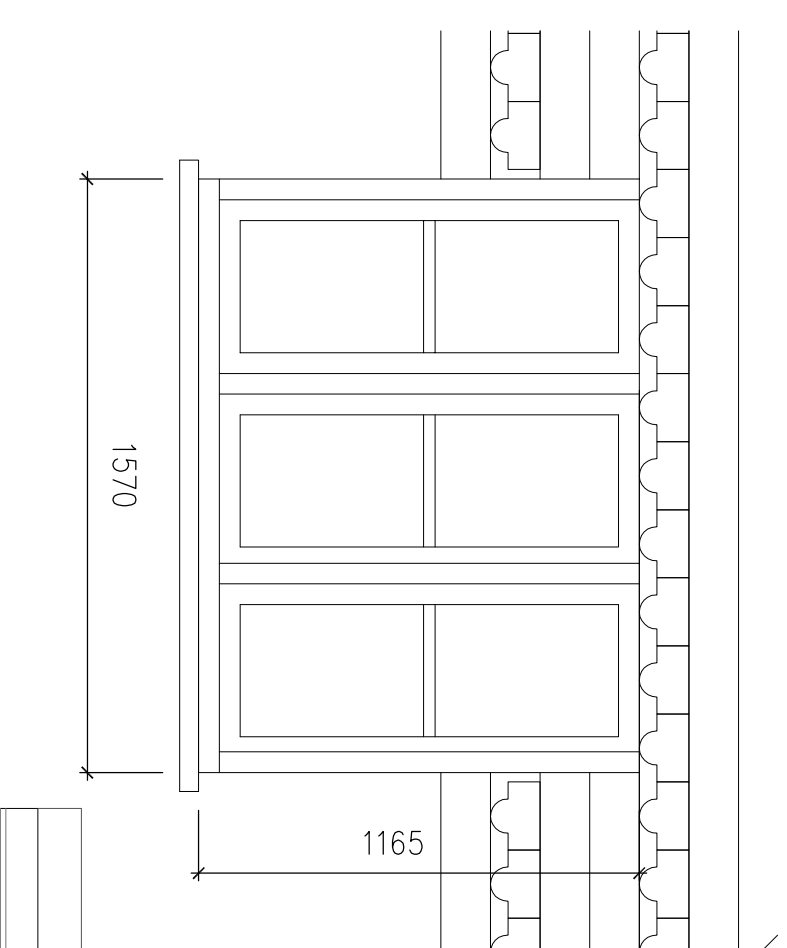
W1.01 as existing



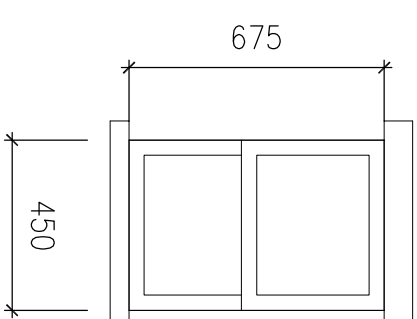
W1.01 proposed



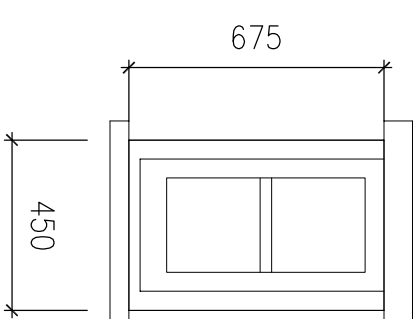
W1.03 as existing



W1.03 proposed



WG.02 as existing



WG.02 proposed

1 The Contractor must check and confirm all dimensions

2 All discrepancies must be reported and resolved by the architect before works commence

3 This drawing is not to be scaled

4 All work and materials to be in accordance with current applicable Statutory Legislation, Codes of Practice, British Standards and EU Regulations

5 Drawings show design intent only. It is the Contractor's responsibility to ensure that the construction is sound and fit for use, in accordance with the Client's requirements.

Revisions.