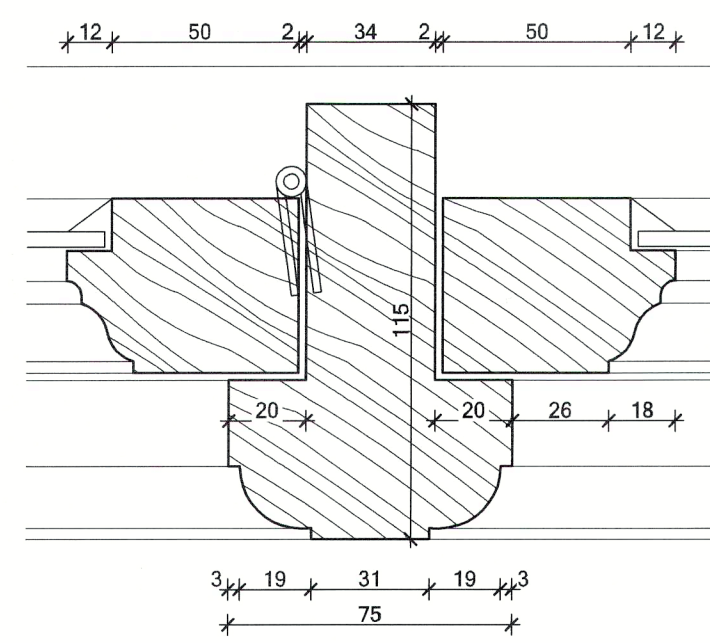
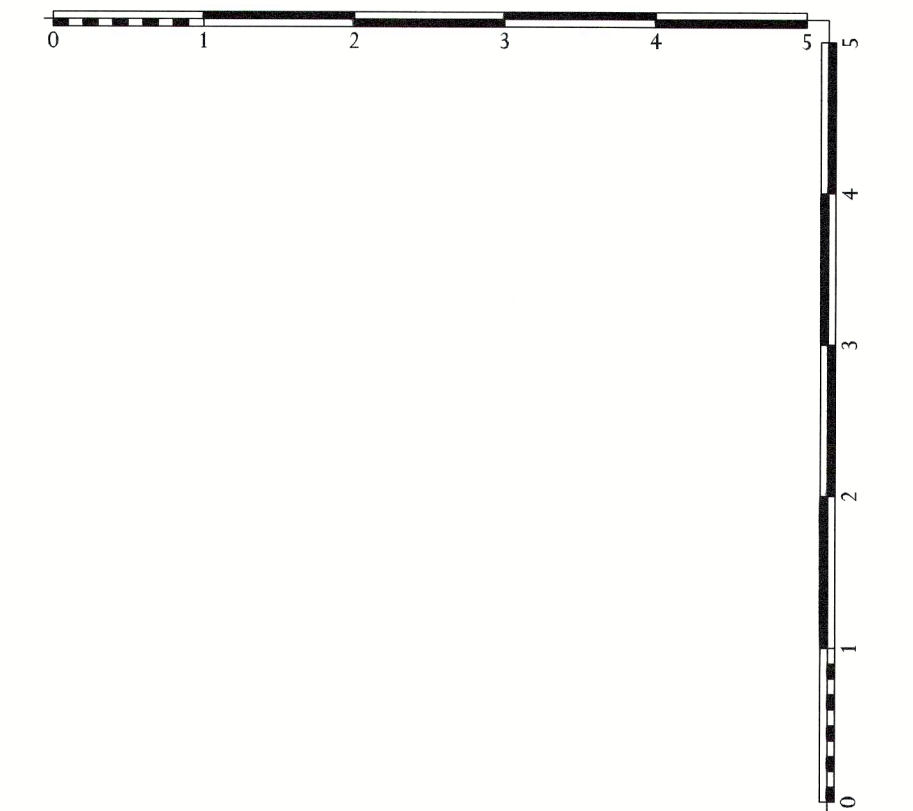
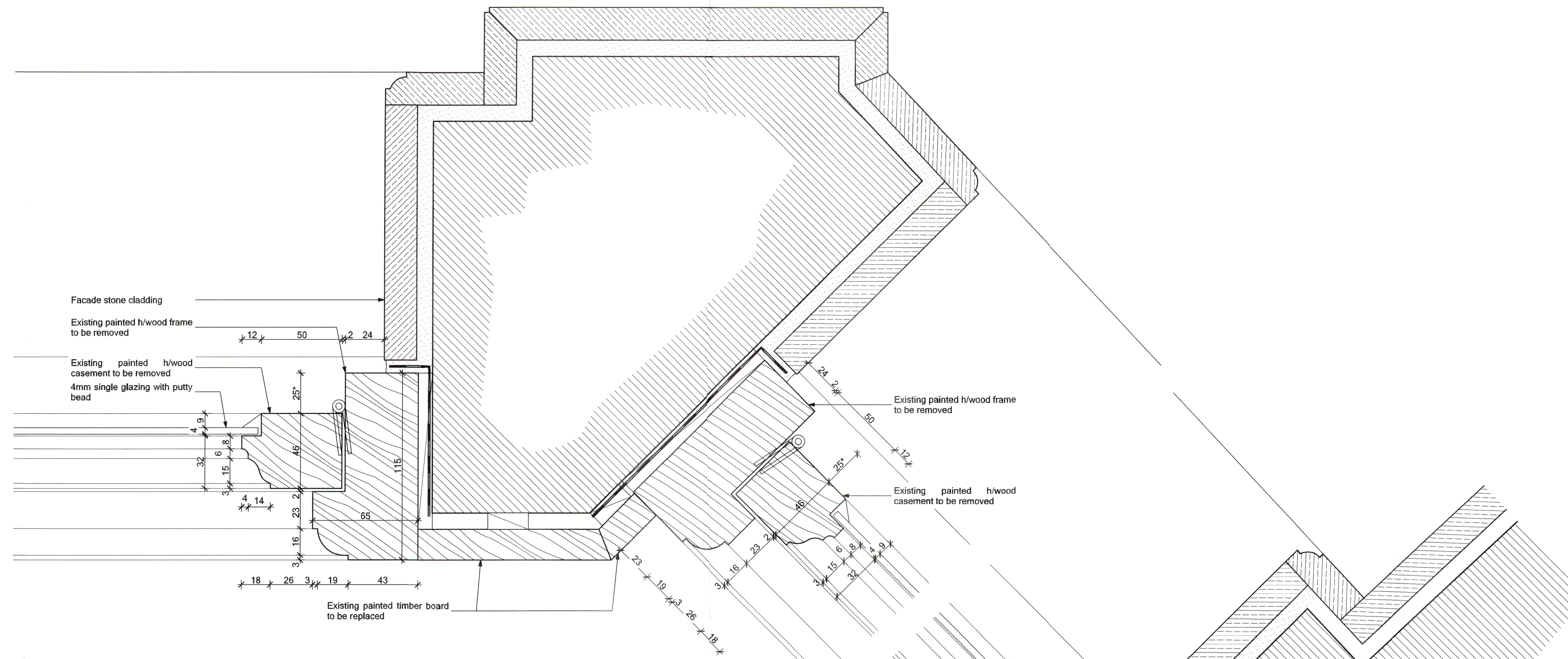


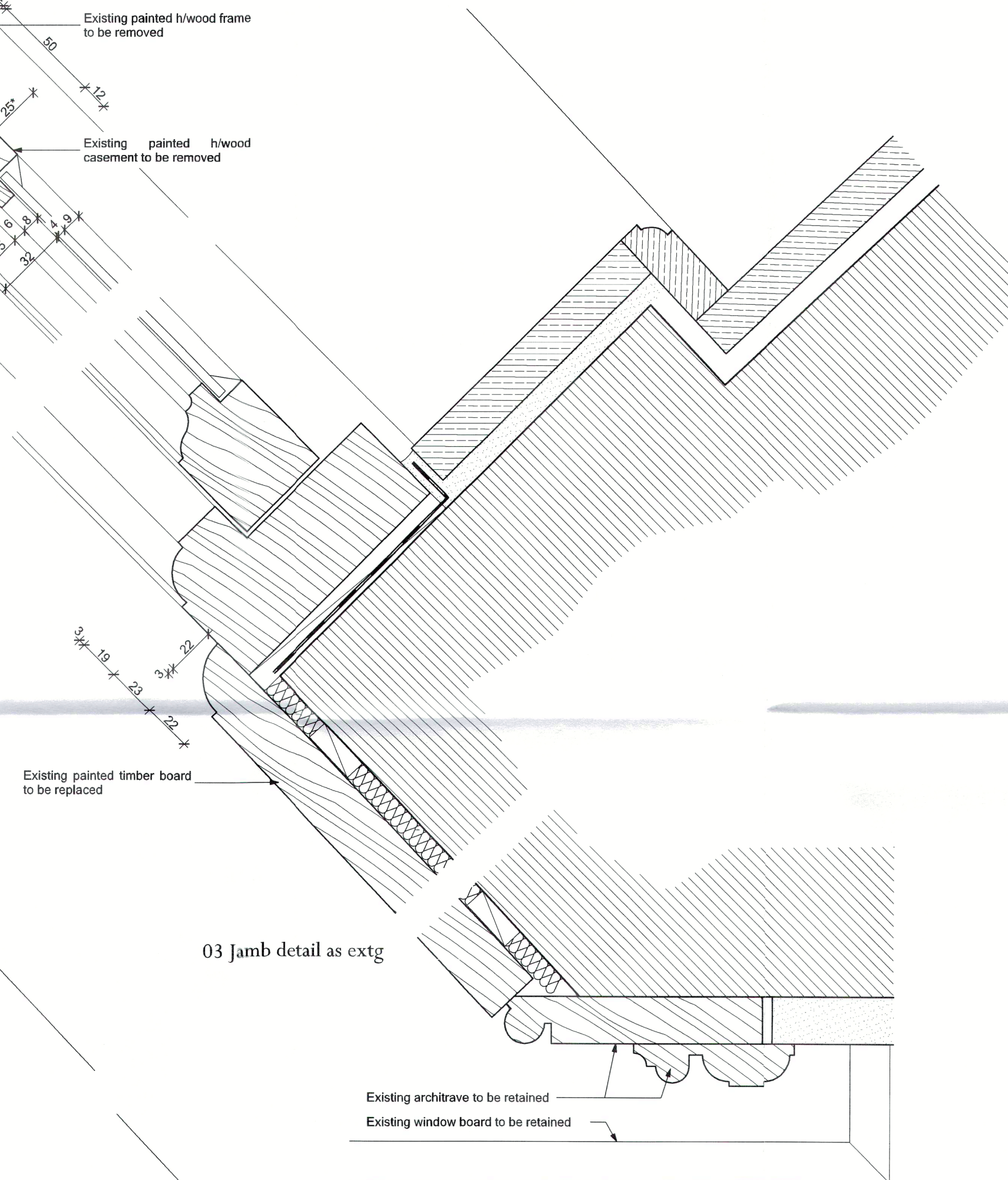
Adjacent Properties and Boundaries are shown for illustrative purposes only and have not been surveyed unless otherwise stated.  
 All areas shown are approximate and should be verified before forming the basis of a decision.  
 Do not scale other than for Planning Application purposes.  
 All dimensions must be checked by the contractor before commencing work on site.  
 No deviation from this drawing will be permitted without the prior written consent of the Architect.  
 The copyright of this drawing remains with the Architect and may not be reproduced in any form without prior written consent.  
 Ground Floor Slabs, Foundations, Sub-Structures, etc. All work below ground level is shown provisionally. Inspection of ground condition is essential prior to work commencing.  
 Reassessment is essential when the ground conditions are apparent, and redesign may be necessary in the light of soil conditions found. The responsibility for establishing the soil and sub-soil conditions rests with the contractor.



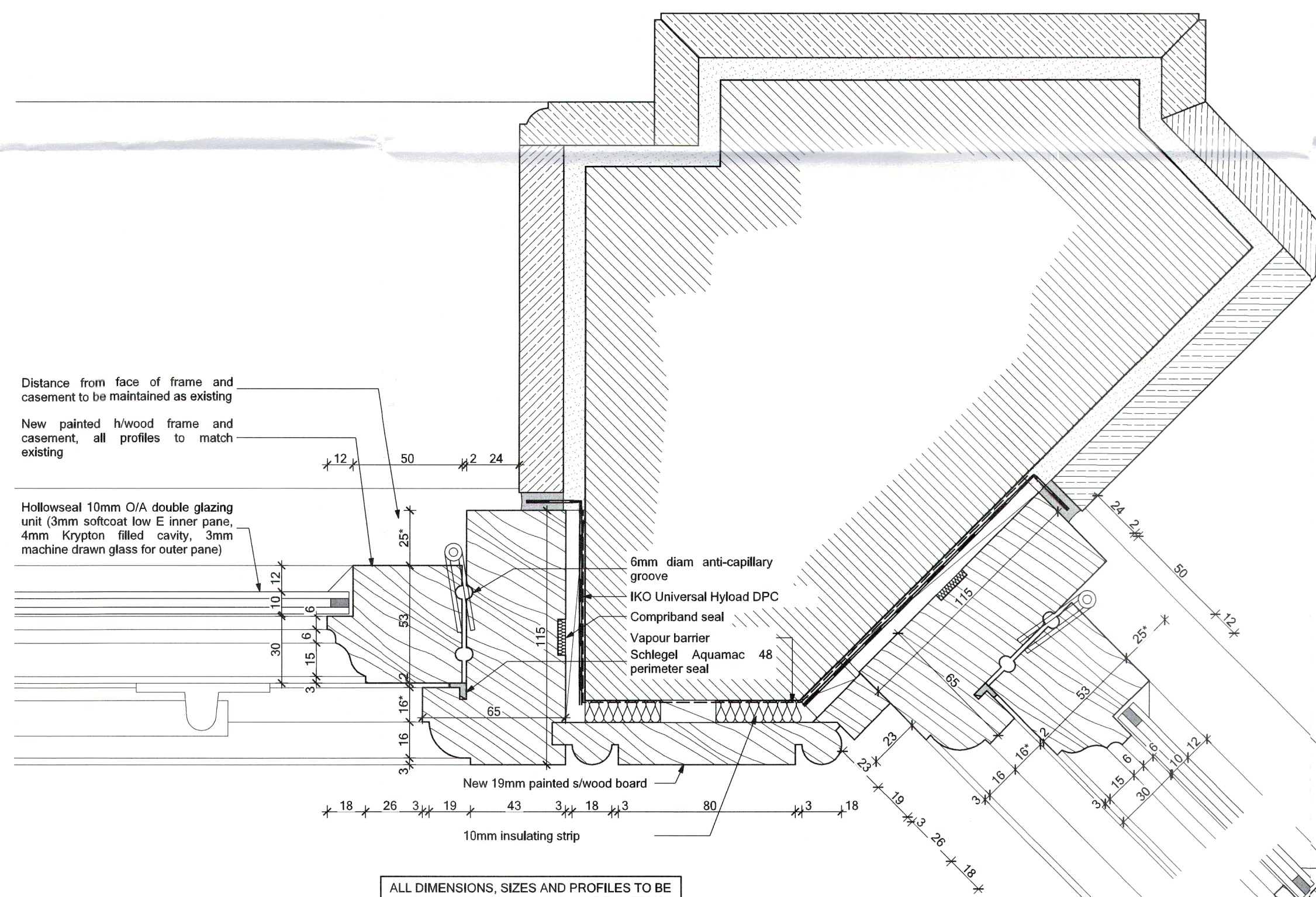
01 Mullion detail as extg



02 Jamb detail as extg

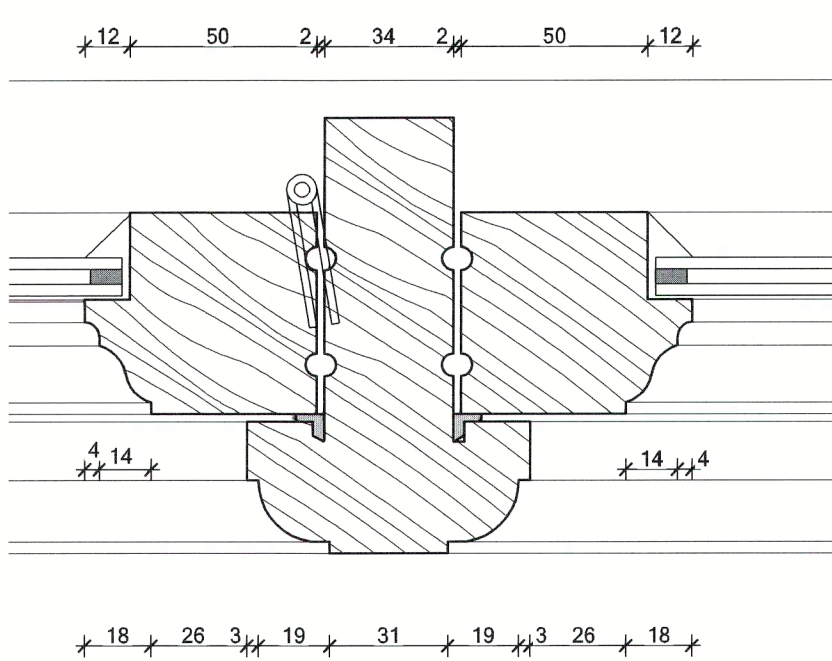


03 Jamb detail as extg

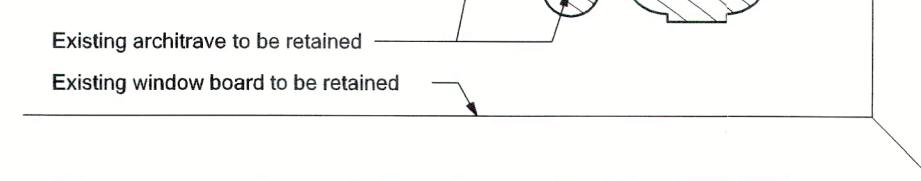


ALL DIMENSIONS, SIZES AND PROFILES TO BE CHECKED ON SITE PRIOR TO FABRICATION

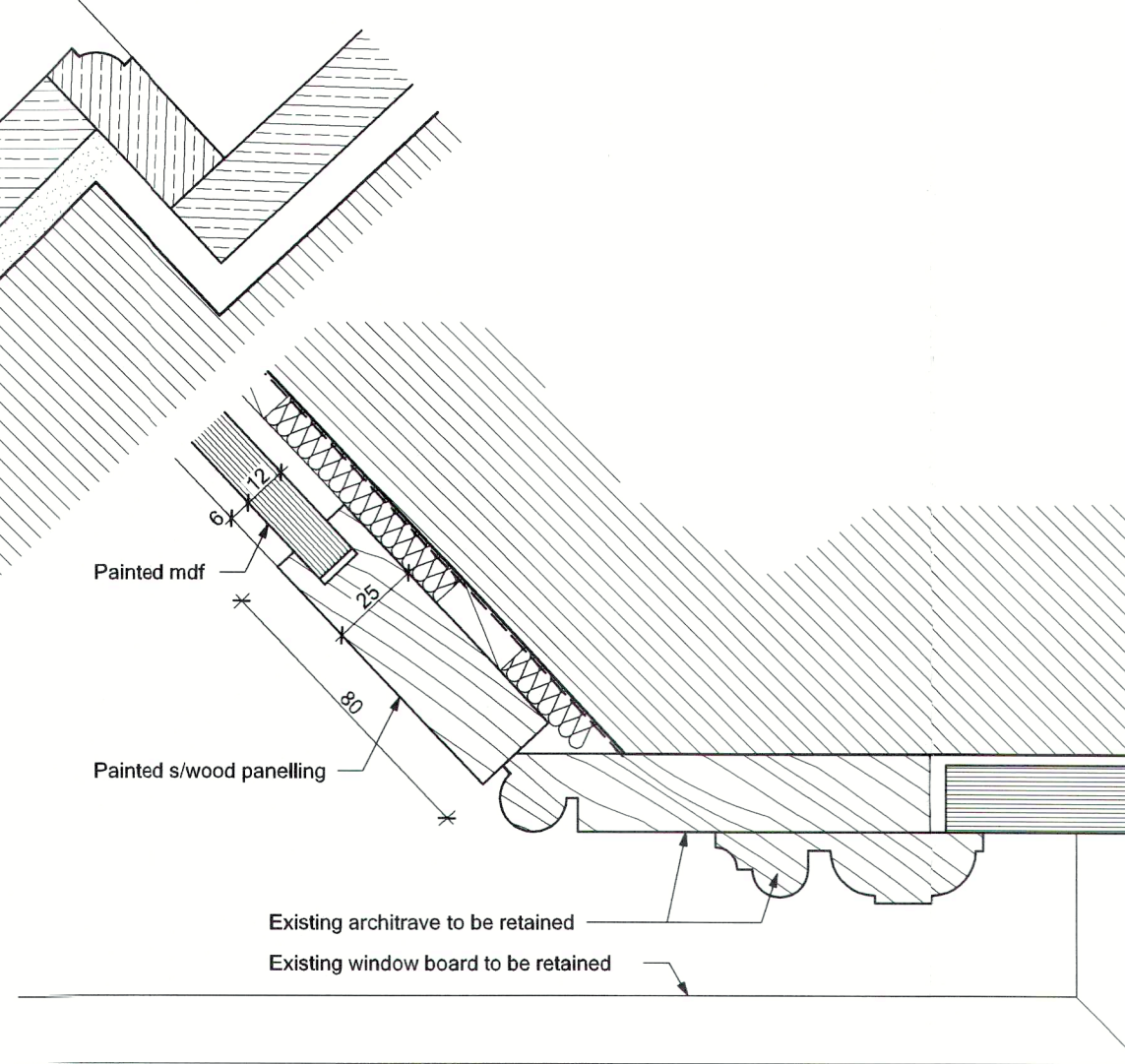
06 Jamb detail as proposed



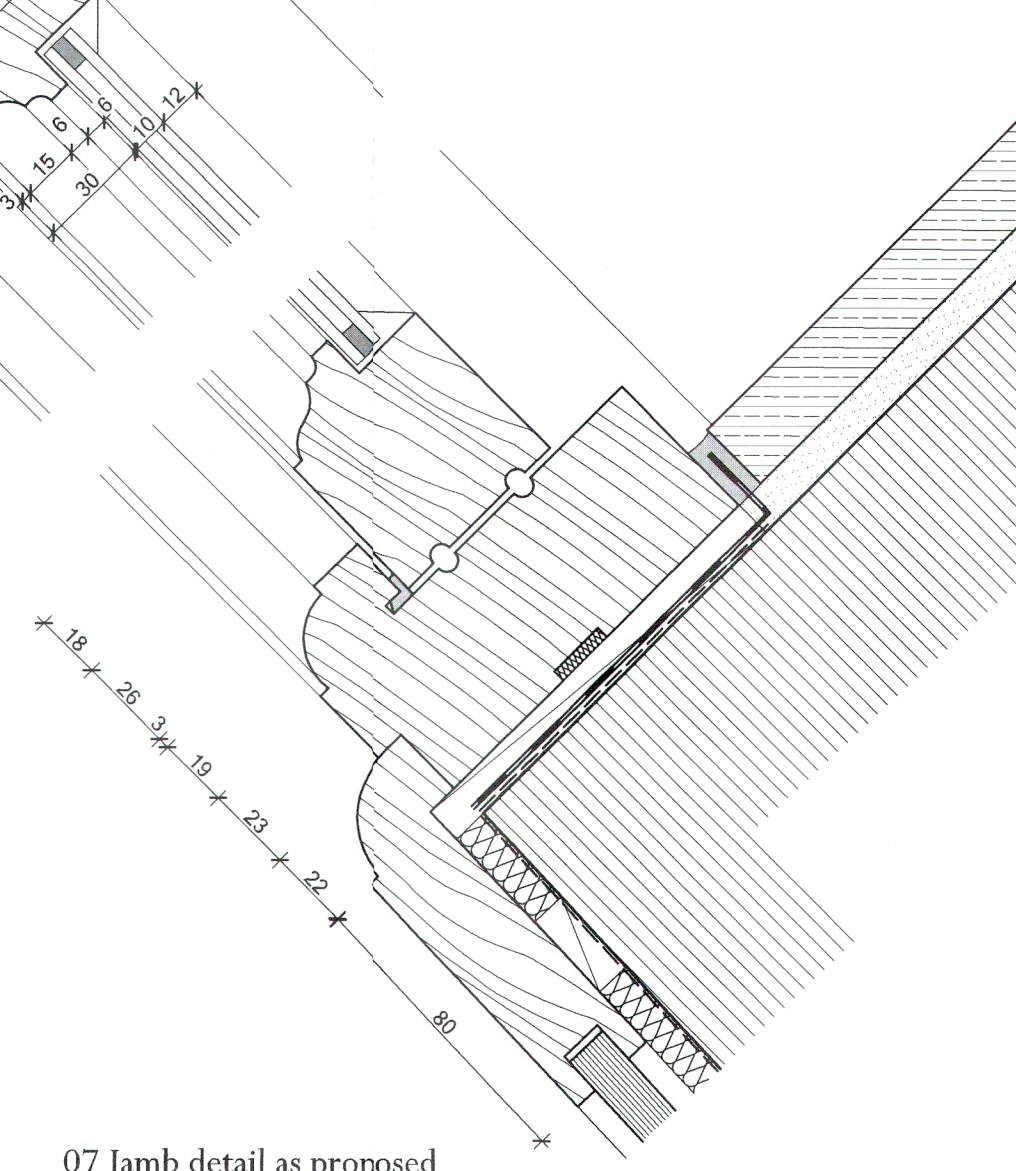
05 Mullion detail as proposed



04 Architrave detail as extg



08 Architrave detail as proposed



07 Jamb detail as proposed

PLANNING

Rev.	Date	Description	Initials
<b>PROJECT</b>			
		Flat 1 Russell Square Mansions	
		Refurbishment and alterations	
<b>TITLE:</b>			
		W01 Details	
<b>SCALE:</b>			
		1:2 @ A1	
<b>DATE:</b>			
		February 2017	
<b>DRAWING No:</b>			
		5962/34	
<b>DRAWN BY:</b>			
		RM	

**ADAM ARCHITECTURE**

6 QUEEN SQUARE, BLOOMSBURY, LONDON, WC1N 3AT  
 TELEPHONE: 020 7841 0140 FACSIMILE: 01962 843303  
 www.adamarchitecture.com london@adamarchitecture.com

WINCHESTER OFFICE: OLD HYDE HOUSE, 75 HYDE STREET, WINCHESTER  
 HAMPSHIRE, SO23 7DW, TELEPHONE: 01962 843843 FACSIMILE: 01962 843303  
 ADAM ARCHITECTURE IS A TRADING NAME OF ADAM ARCHITECTURE LIMITED