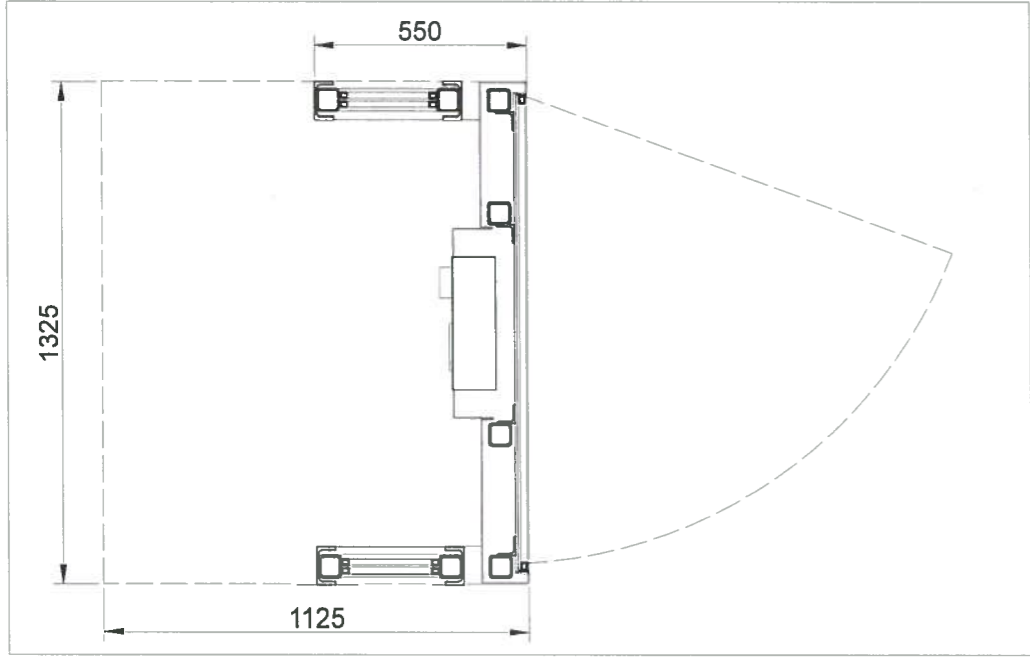
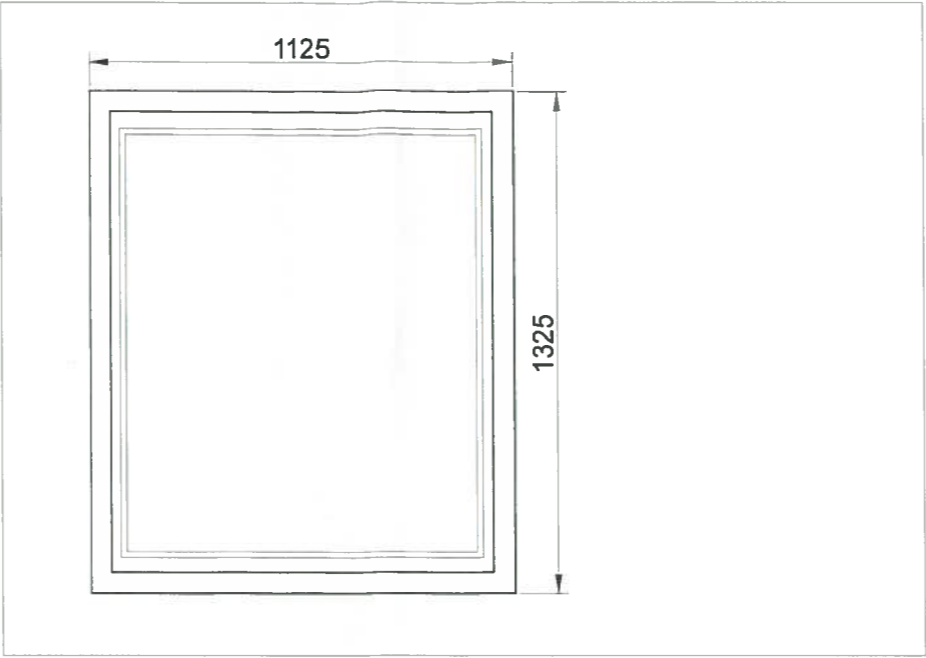


# Maximus Networks Ltd Telephone Kiosk



01 Plan

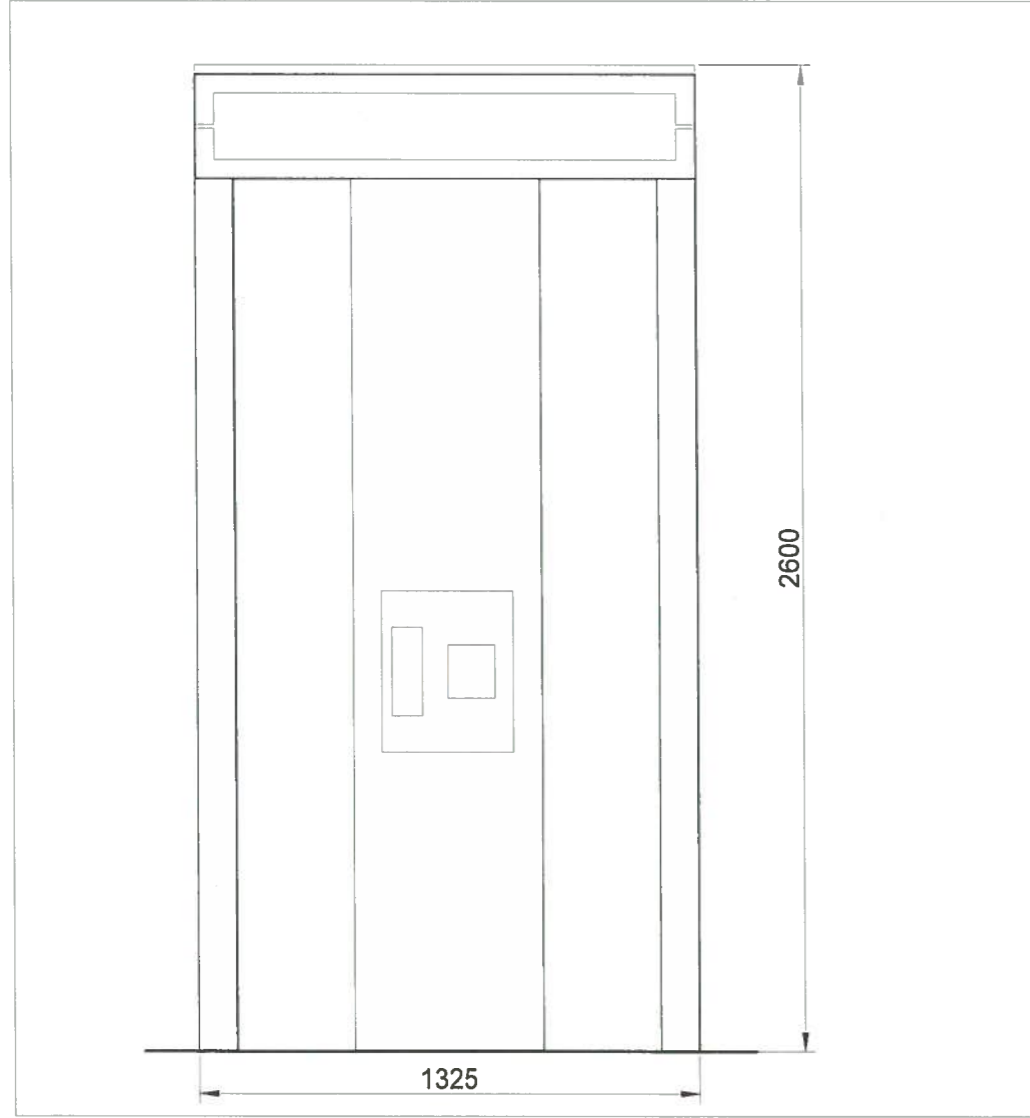


02 Roof Plan

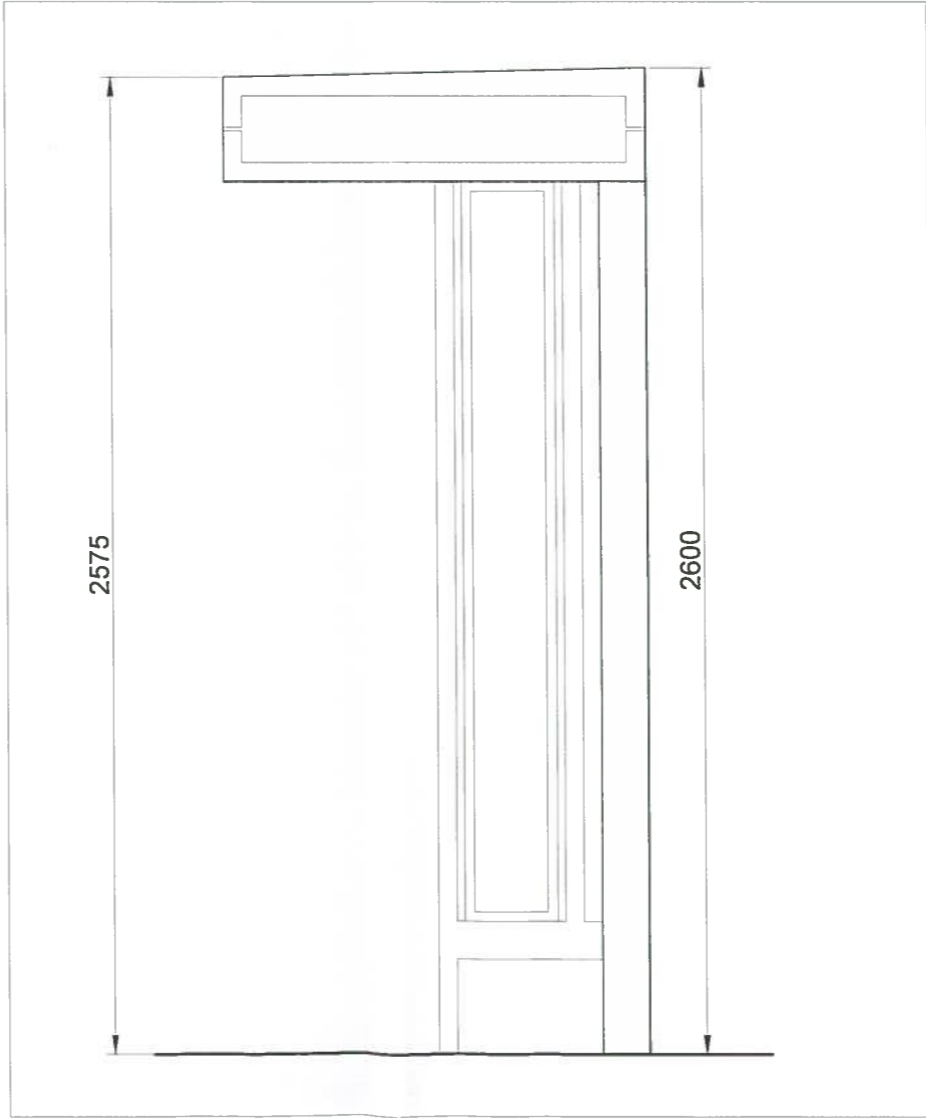
Notes

Drawing Scale: 1:20 @A3

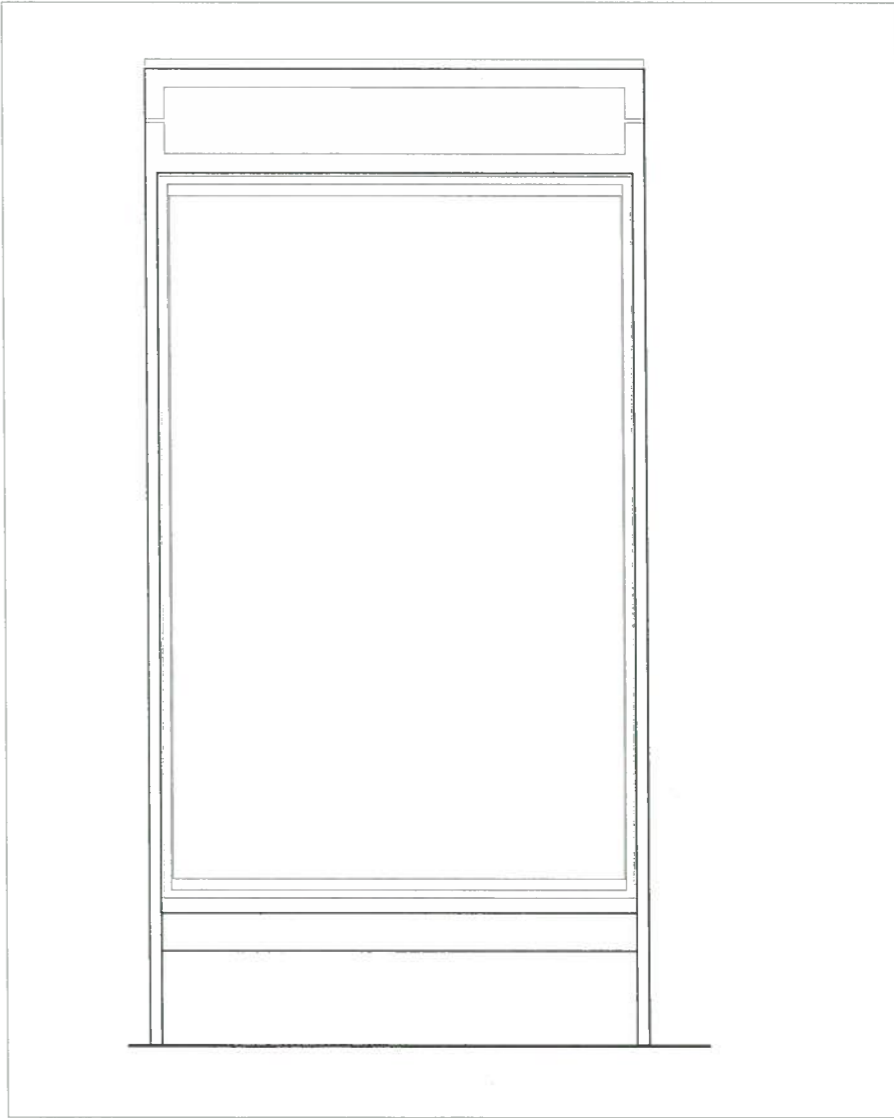
Materials Used:  
PPC Steel Frame  
PPC Steel Casings  
Clear Polycarbonate  
8mm Toughened glass  
Solar Panel to roof



03 Front Elevation



04 Side Elevation



05 Rear Elevation