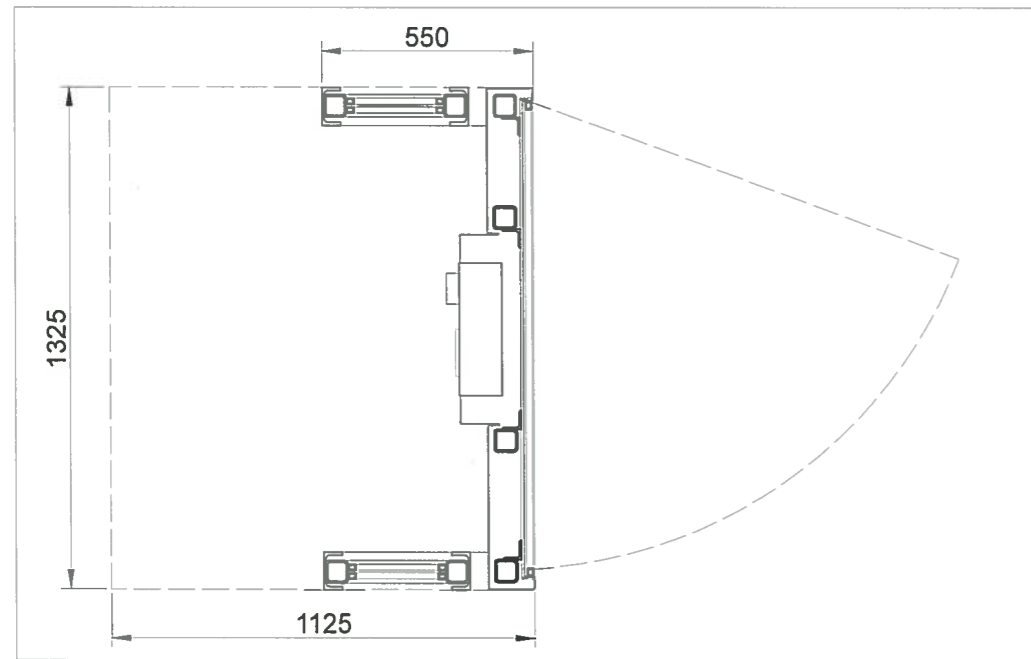
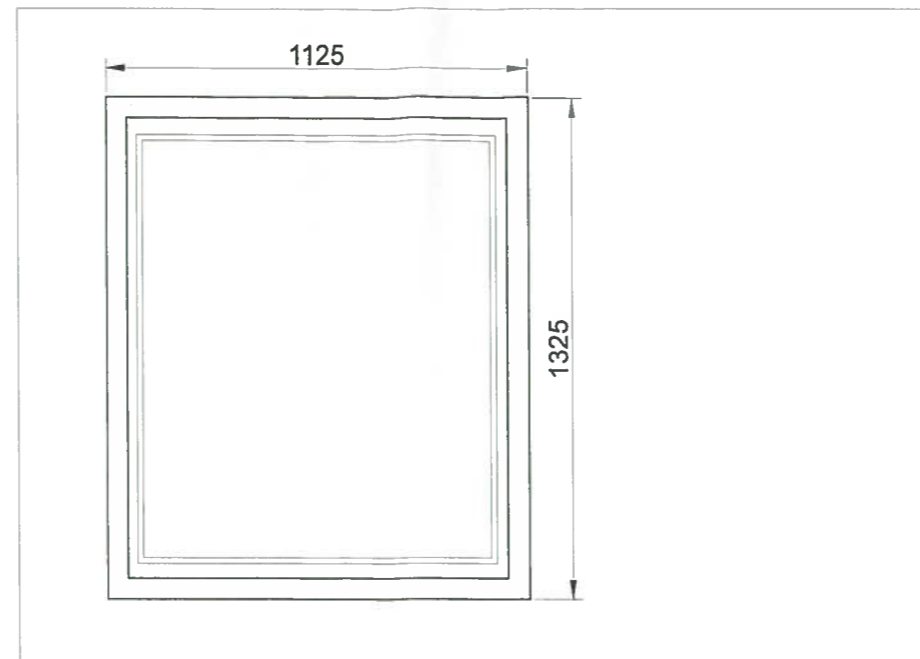


Maximus Networks Ltd Telephone Kiosk



01 Plan

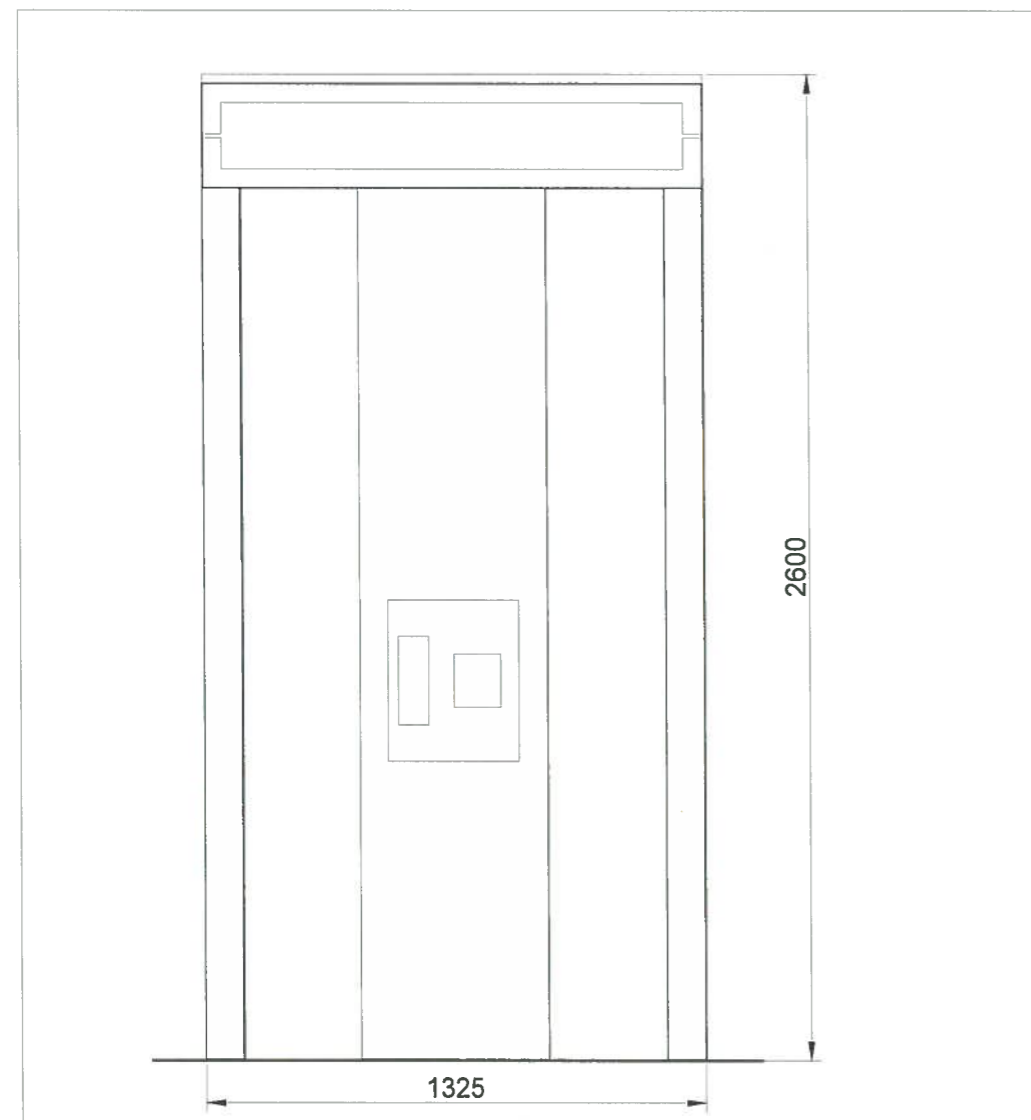


02 Roof Plan

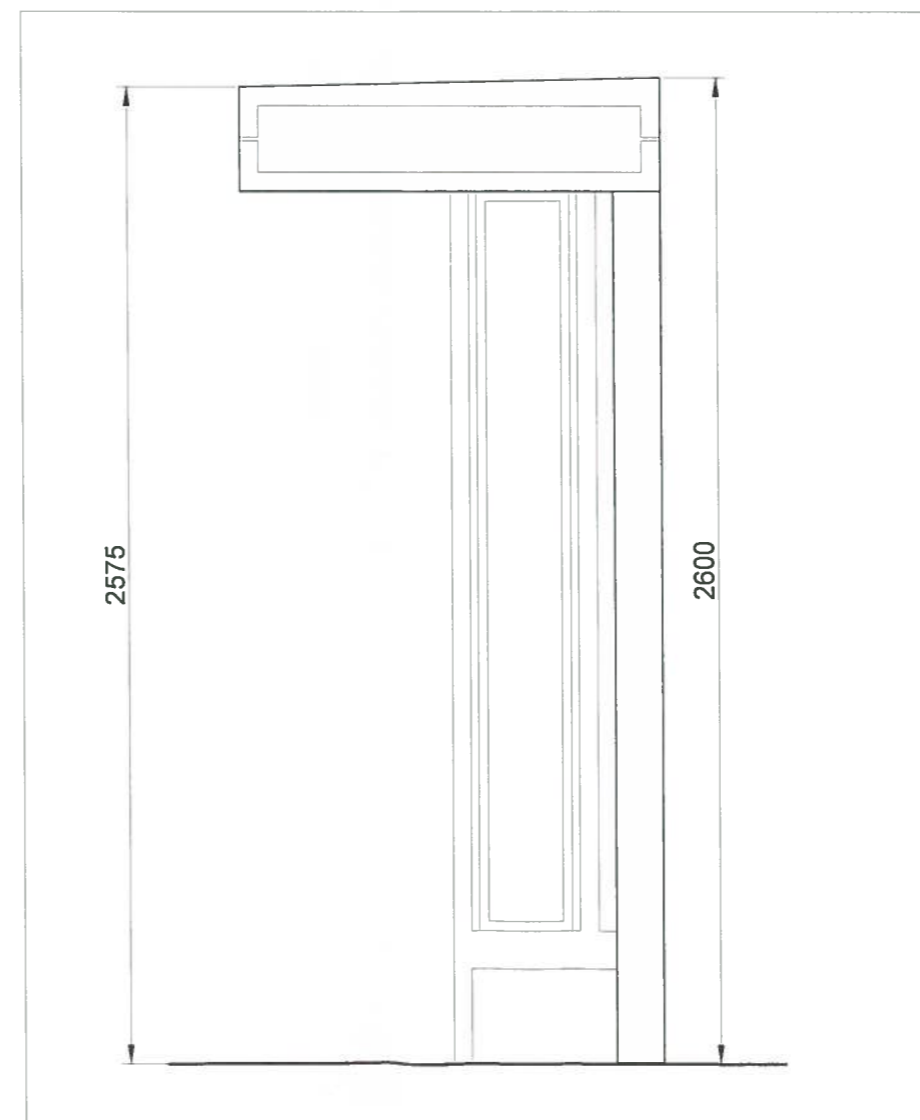
Notes

Drawing Scale: 1:20 @A3

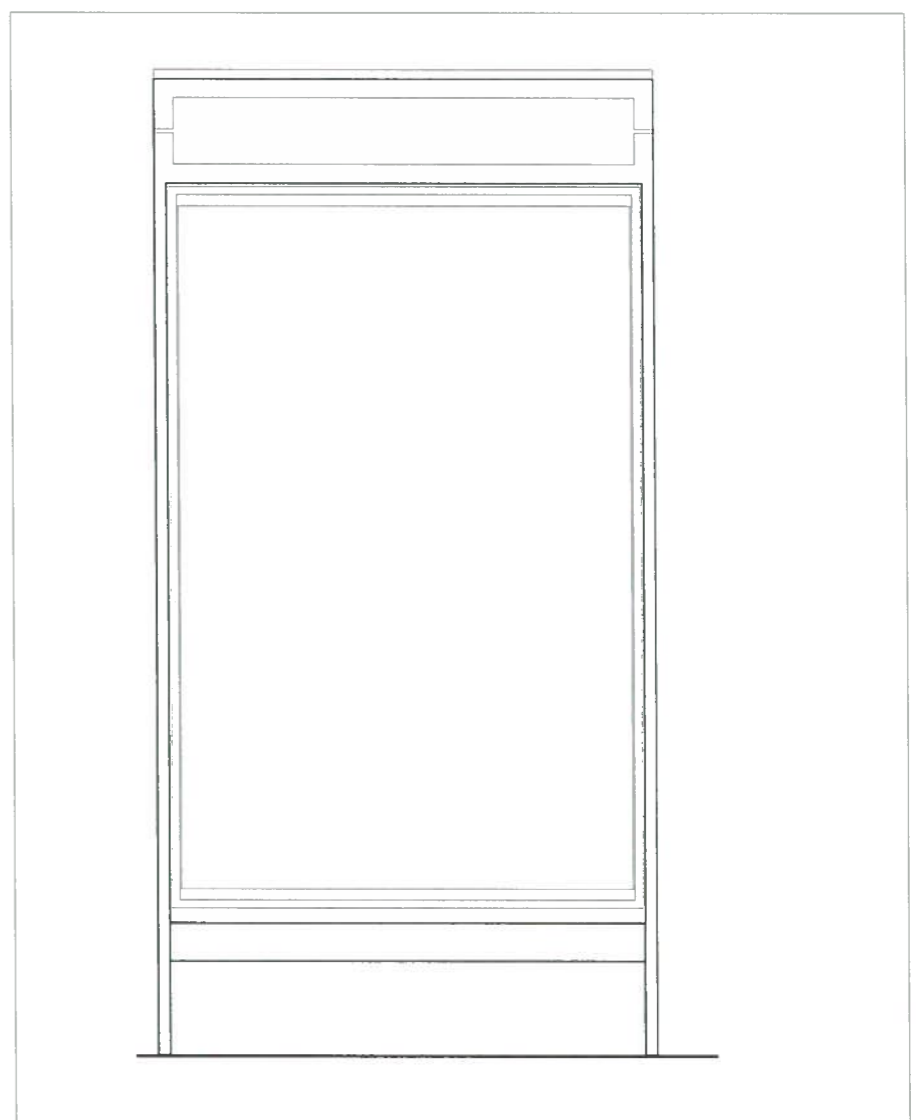
Materials Used:
PPC Steel Frame
PPC Steel Casings
Clear Polycarbonate
8mm Toughened glass
Solar Panel to roof



03 Front Elevation



04 Side Elevation



05 Rear Elevation