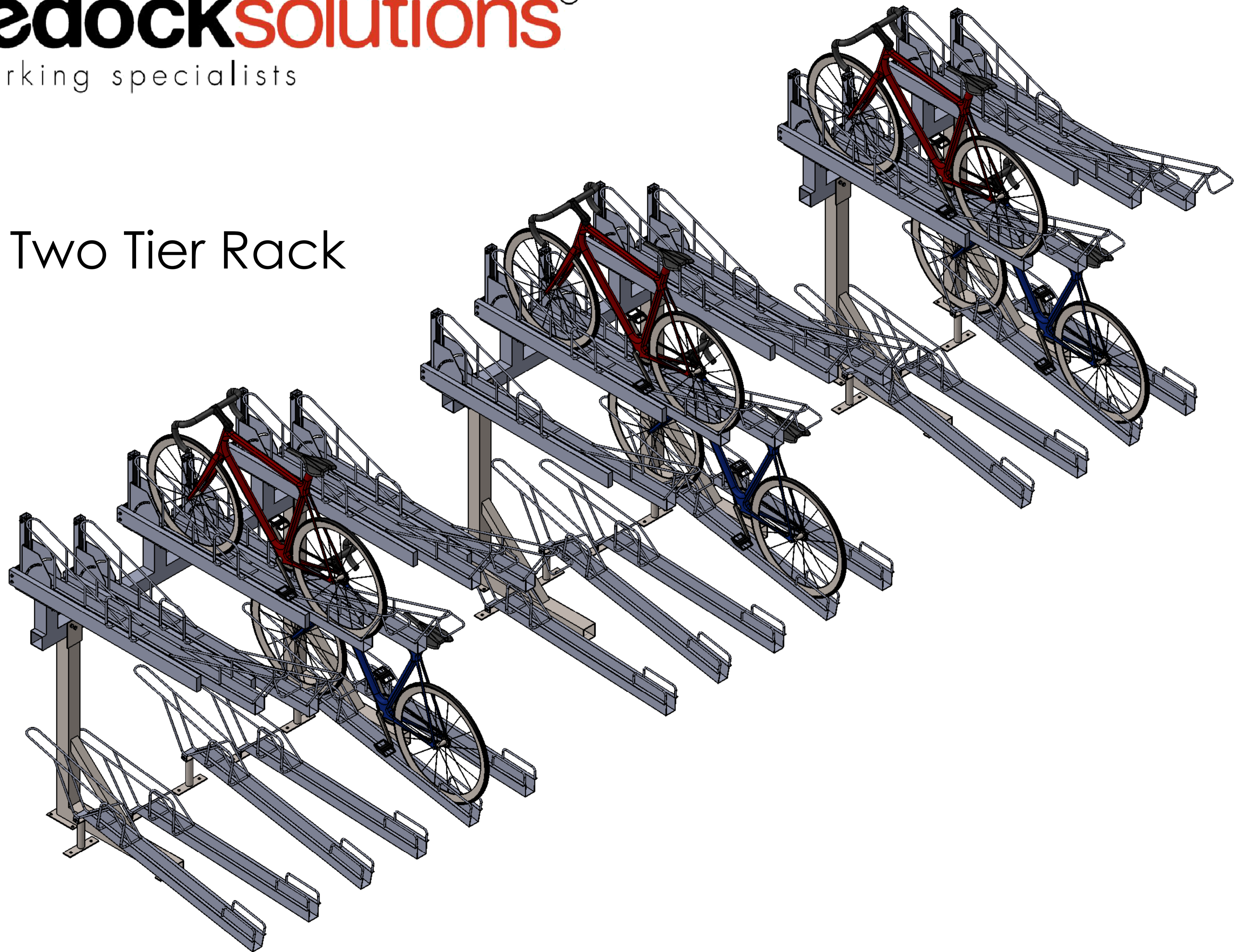
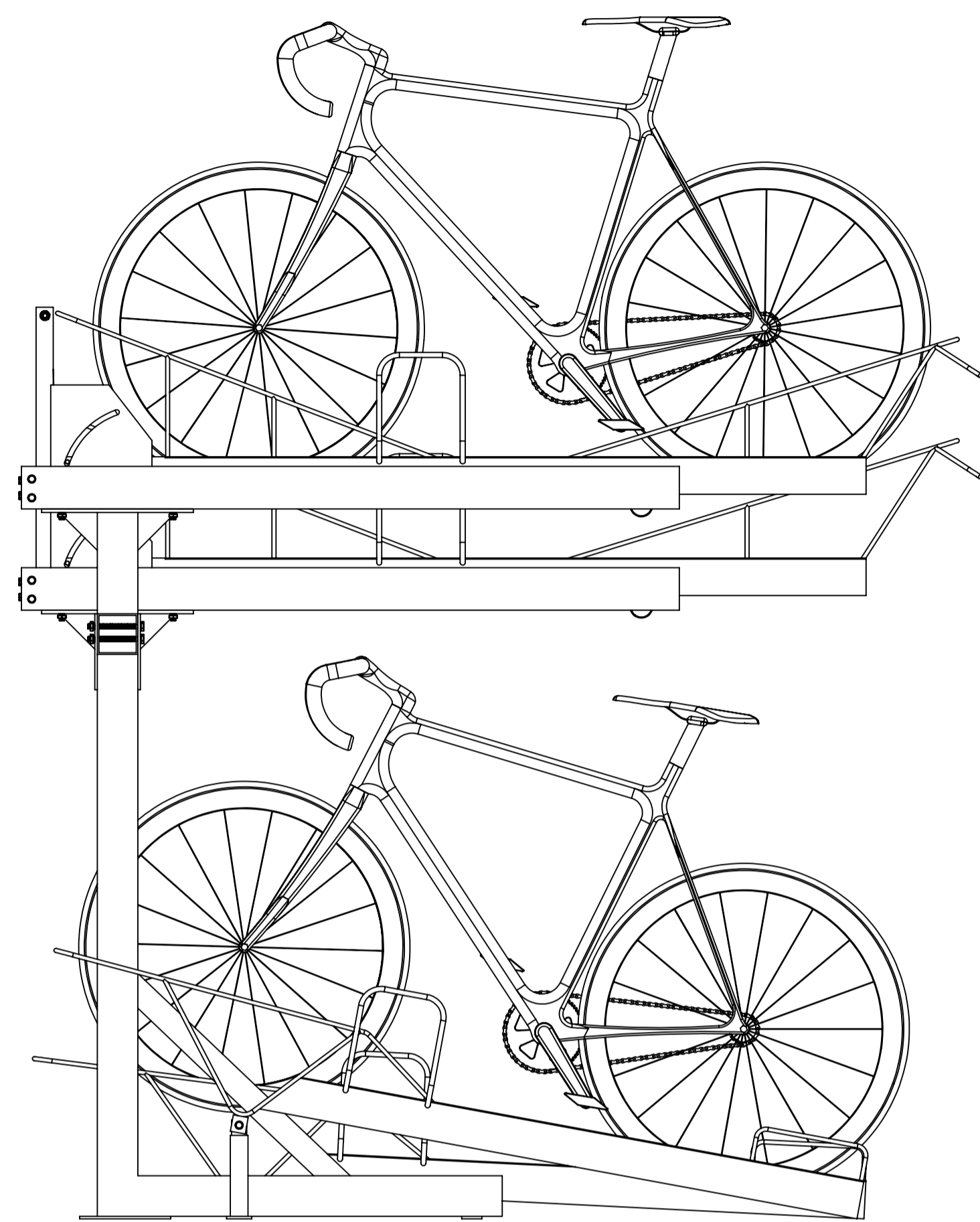


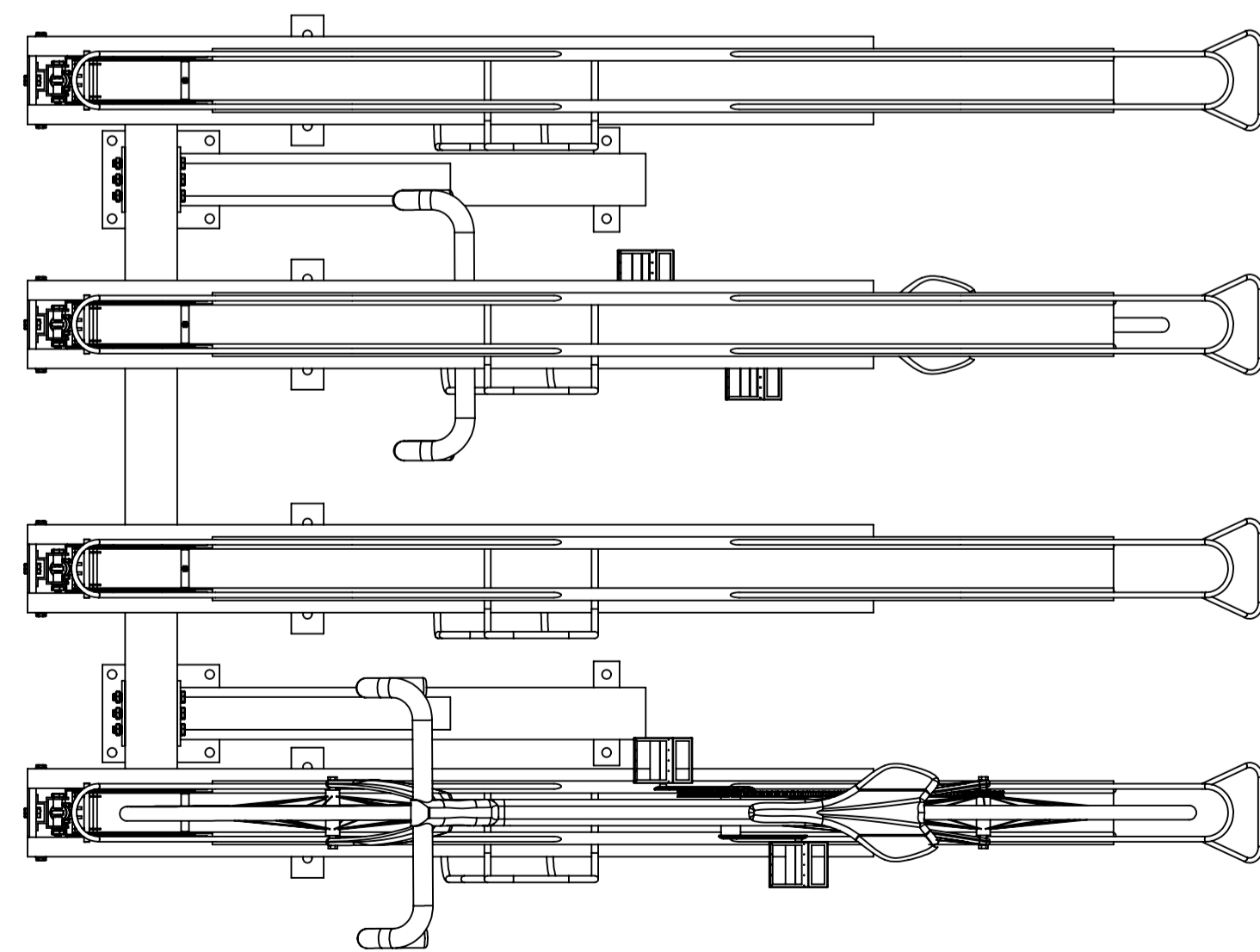
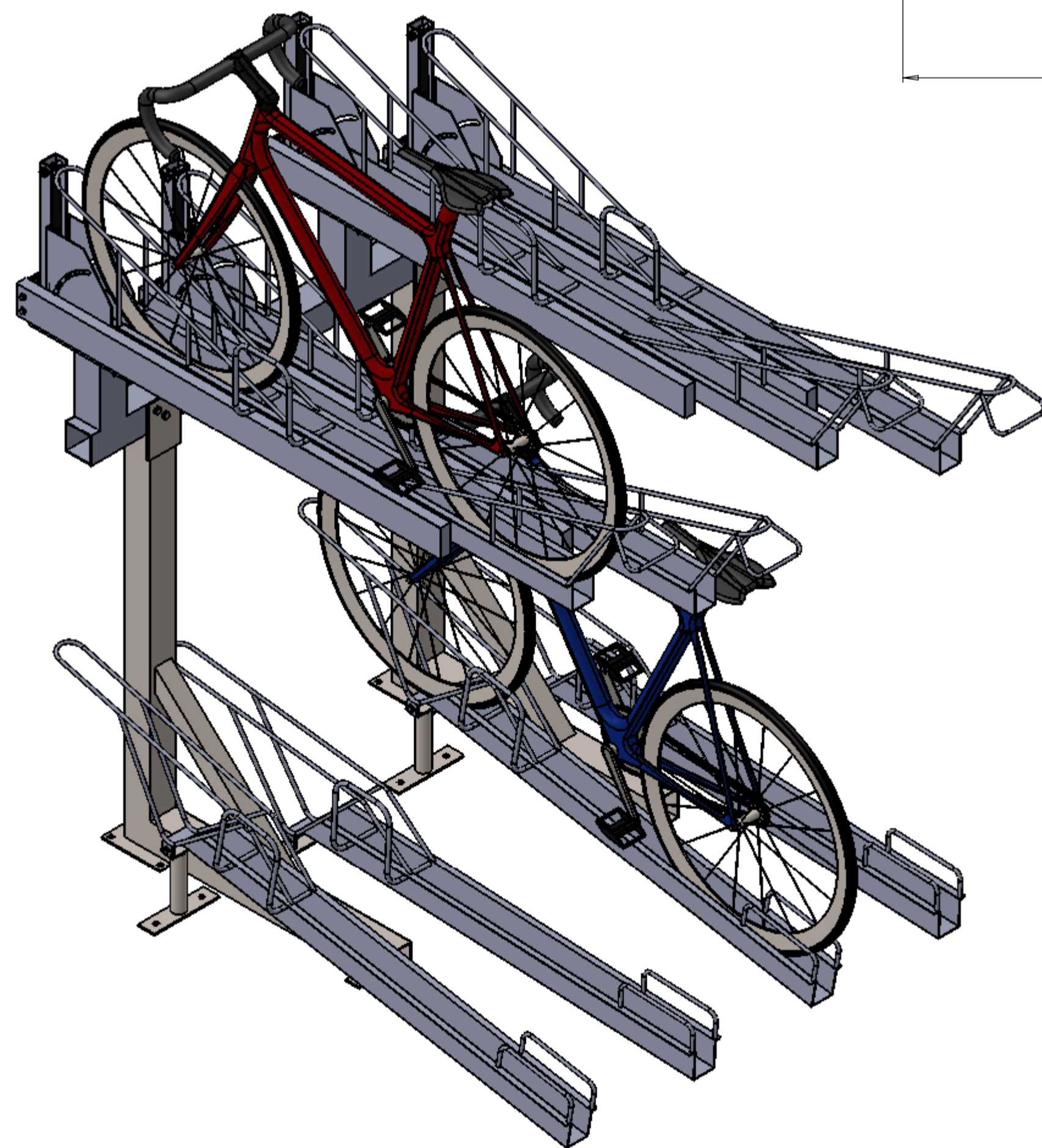
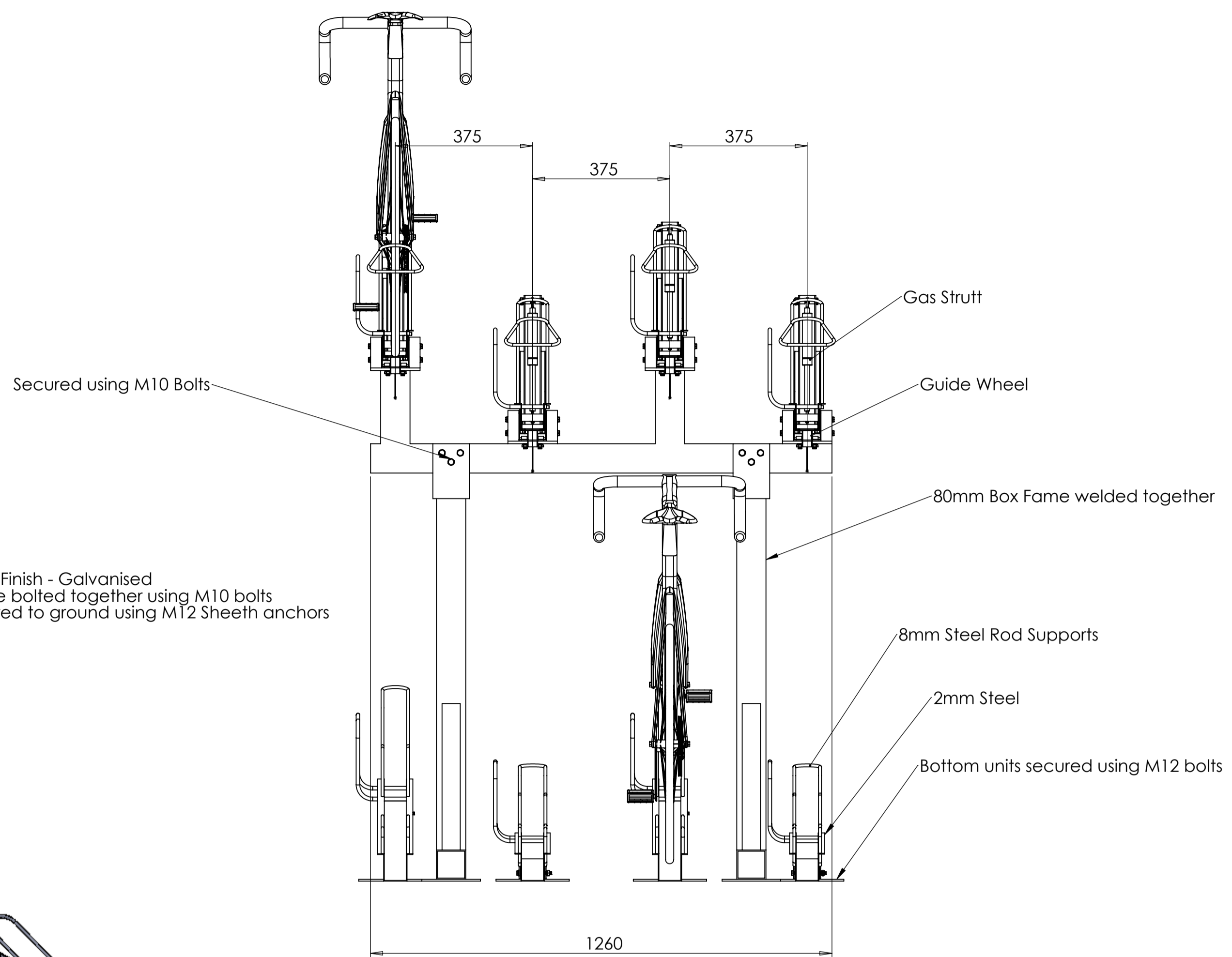
## BDS Two Tier Rack



UNLESS OTHERWISE SPECIFIED: DIMENSIONS ARE IN MILLIMETERS SURFACE FINISH: TOLERANCES: LINEAR: ANGULAR:				FINISH:	DEBUR AND BREAK SHARP EDGES	DO NOT SCALE DRAWING	REVISION
DRAWN	NAME	SIGNATURE	DATE				TITLE:
CHK'D							Bike Dock Solutions www.bikedocksolutions.com 0800 612 6113
APP'VD							Two Tier Information <sup>1</sup>
MFG							
Q.A.					MATERIAL:		SCALE: 1:10
					WEIGHT:		SHEET 1 OF 9

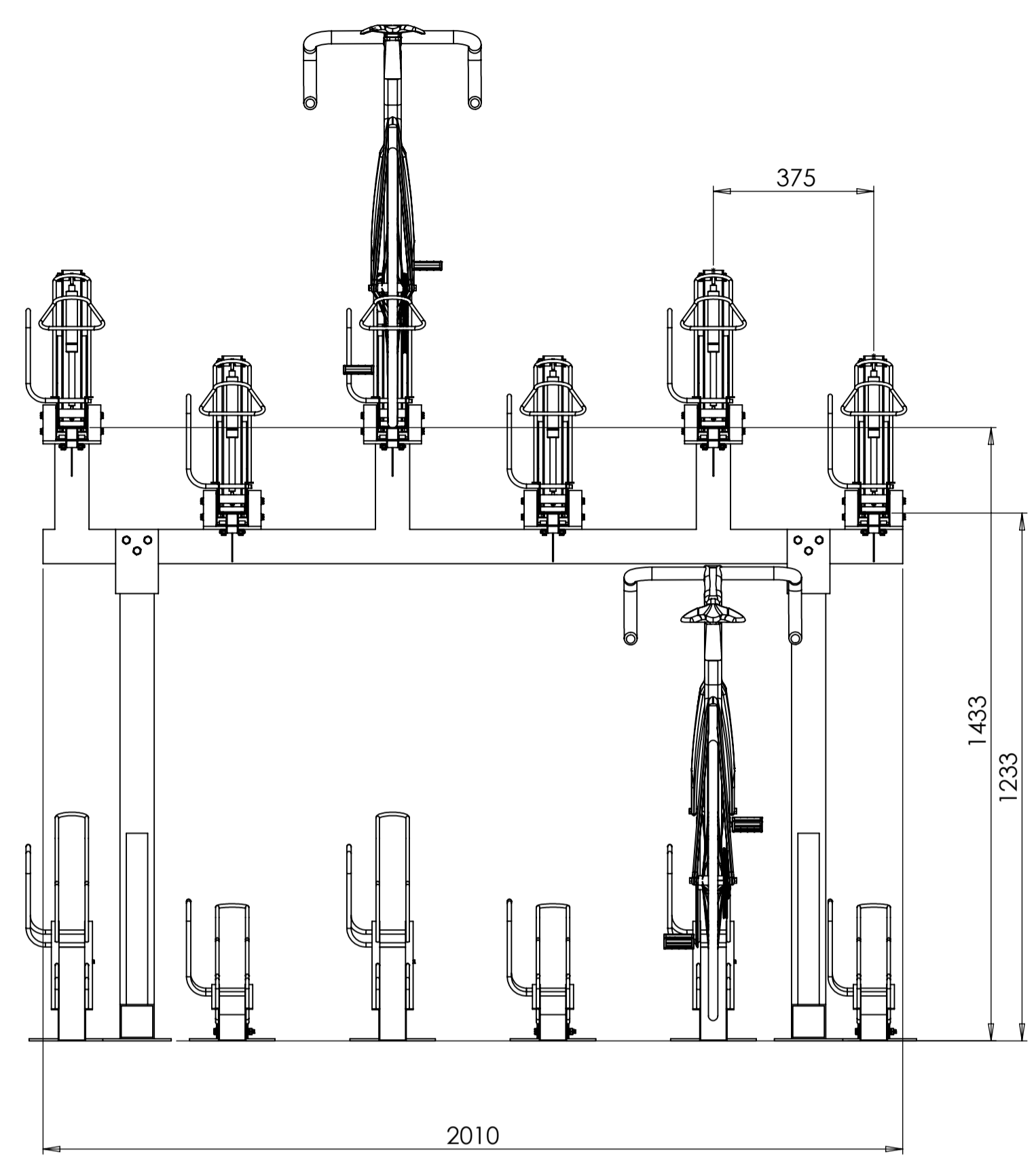


Rack Finish - Galvanised  
 Frame bolted together using M10 bolts  
 Secured to ground using M12 Sheeth anchors

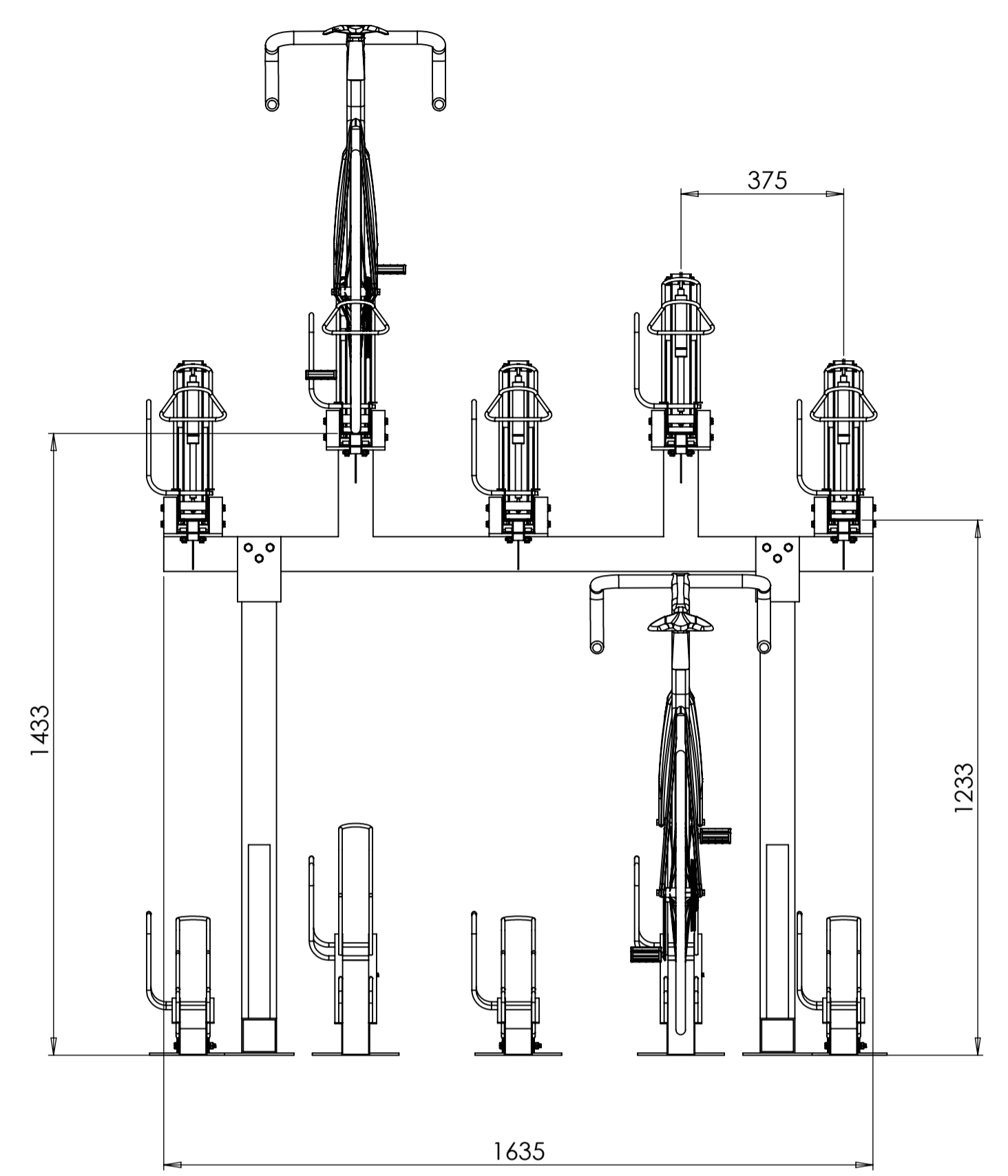


UNLESS OTHERWISE SPECIFIED: DIMENSIONS ARE IN MILLIMETERS SURFACE FINISH: TOLERANCES: LINEAR: ANGULAR:			FINISH:	DEBUR AND BREAK SHARP EDGES	DO NOT SCALE DRAWING	REVISION
DRAWN:	NAME	SIGNATURE	DATE			TITLE:
CHK'D:						Bike Dock Solutions www.bikedocksolutions.com 0800 612 6113
APP'VD:						DWG NO. Two Tier Customer Drawing
MFG:				MATERIAL:		A1
Q.A.				WEIGHT:		SCALE:1:10 SHEET 2 OF 9

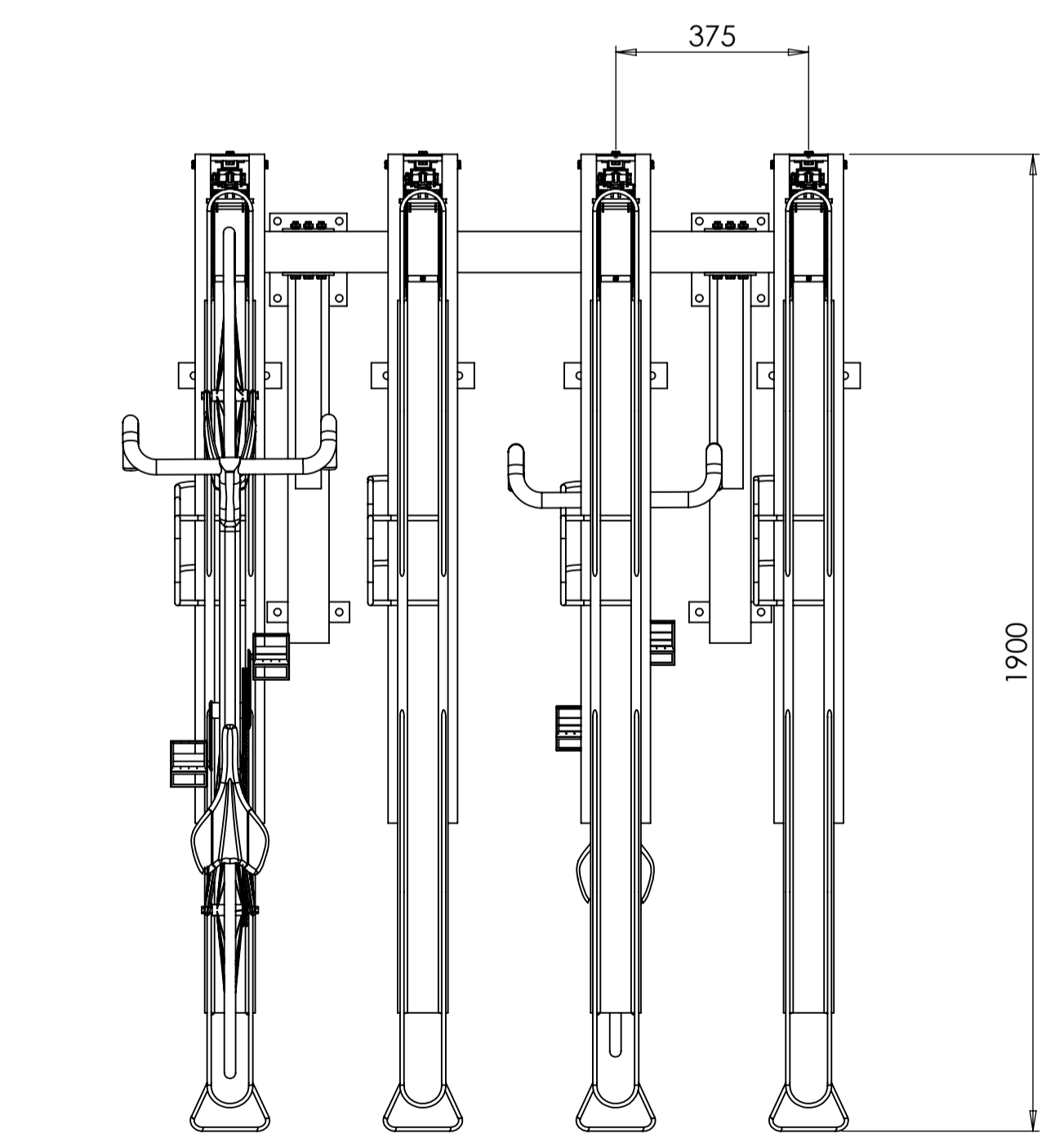
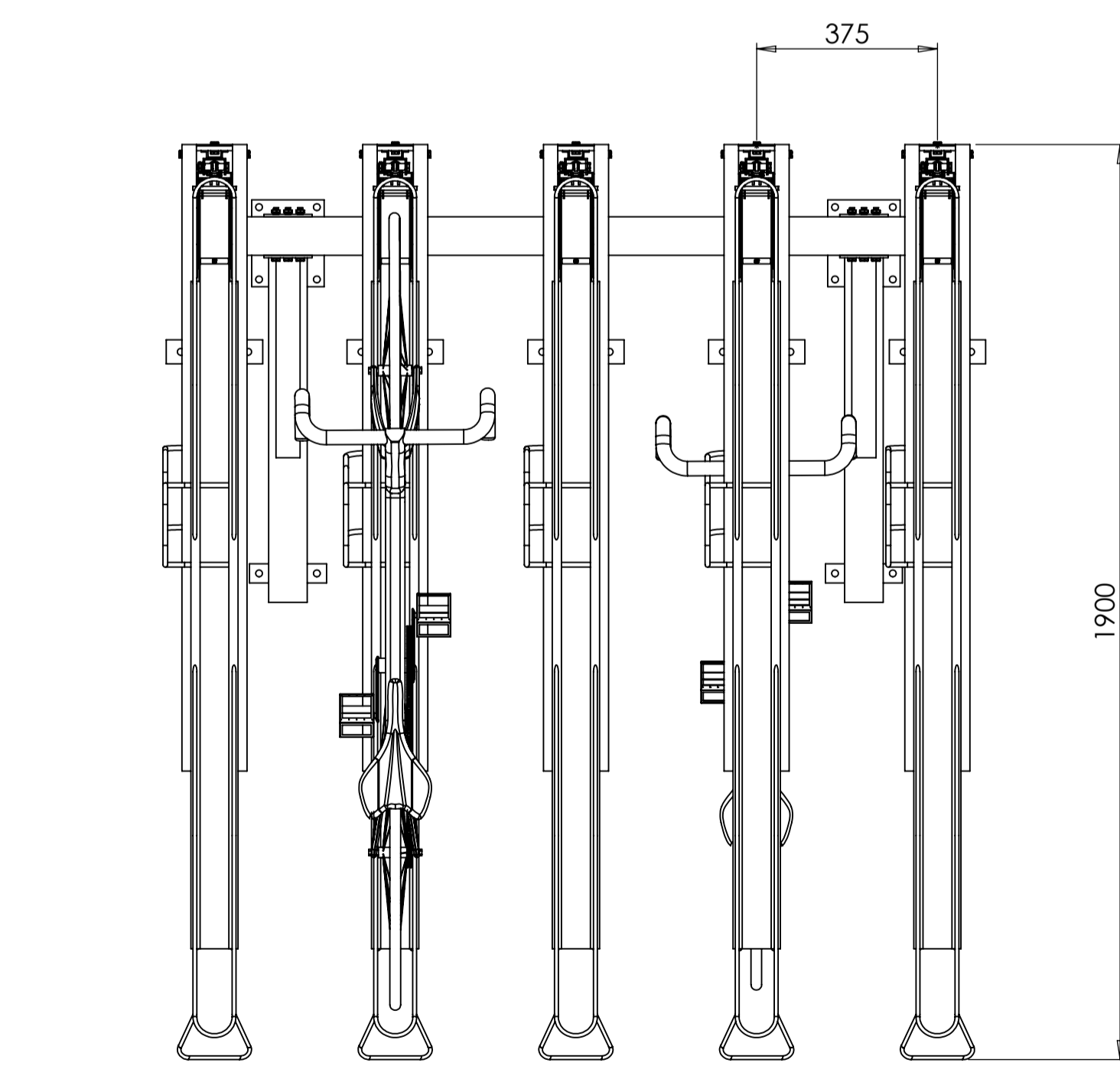
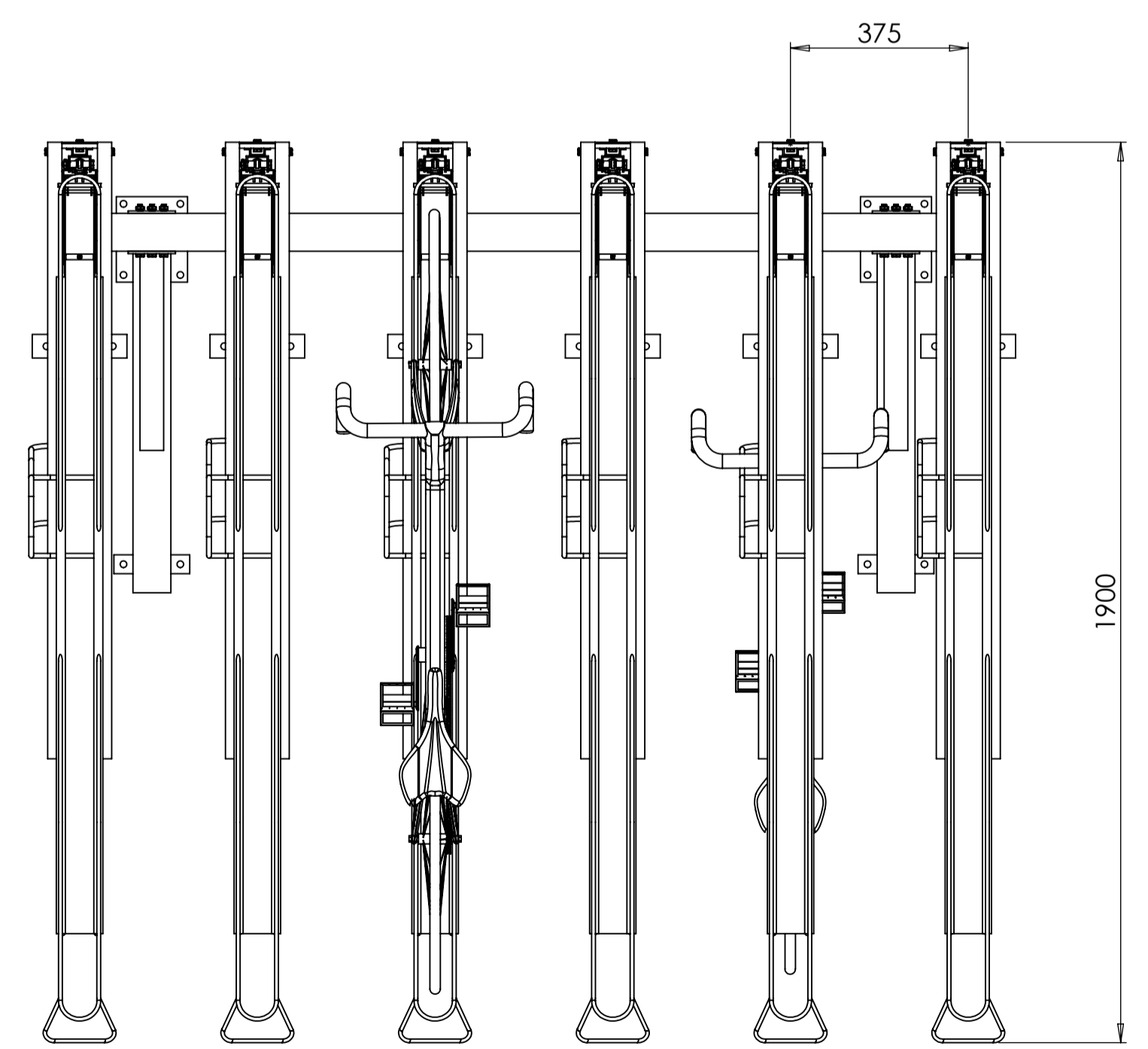
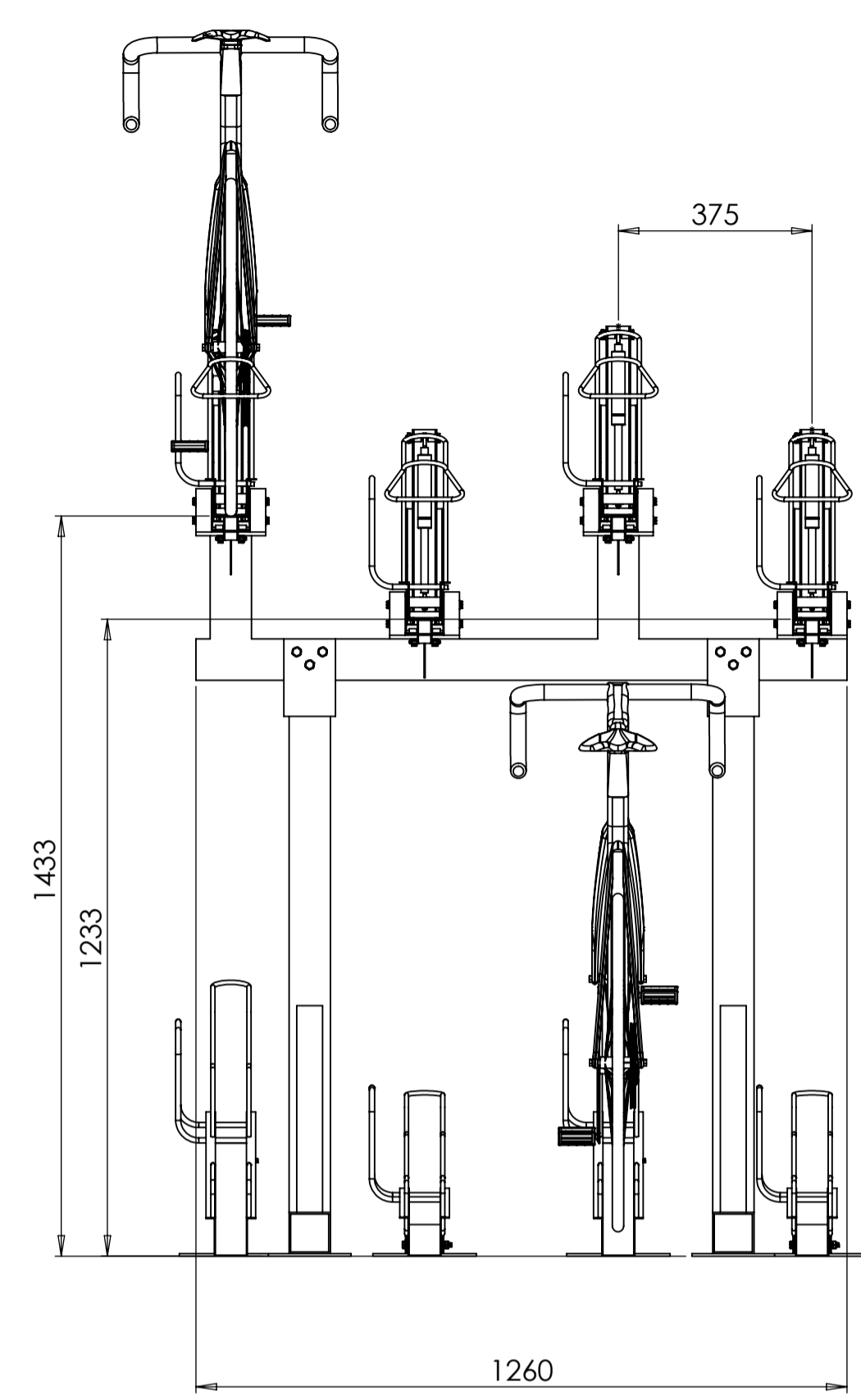
6 up 6 down  
12 Space



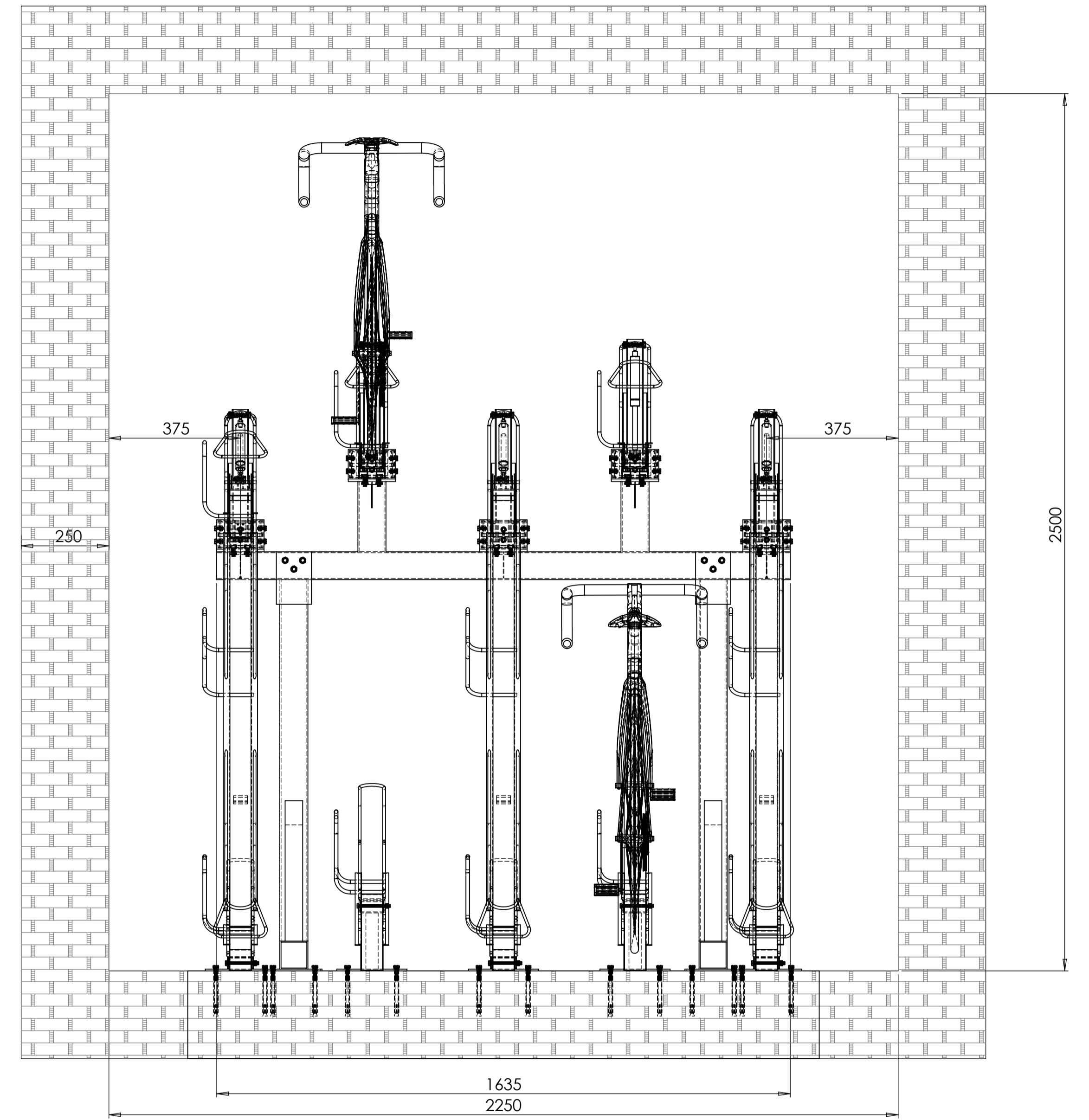
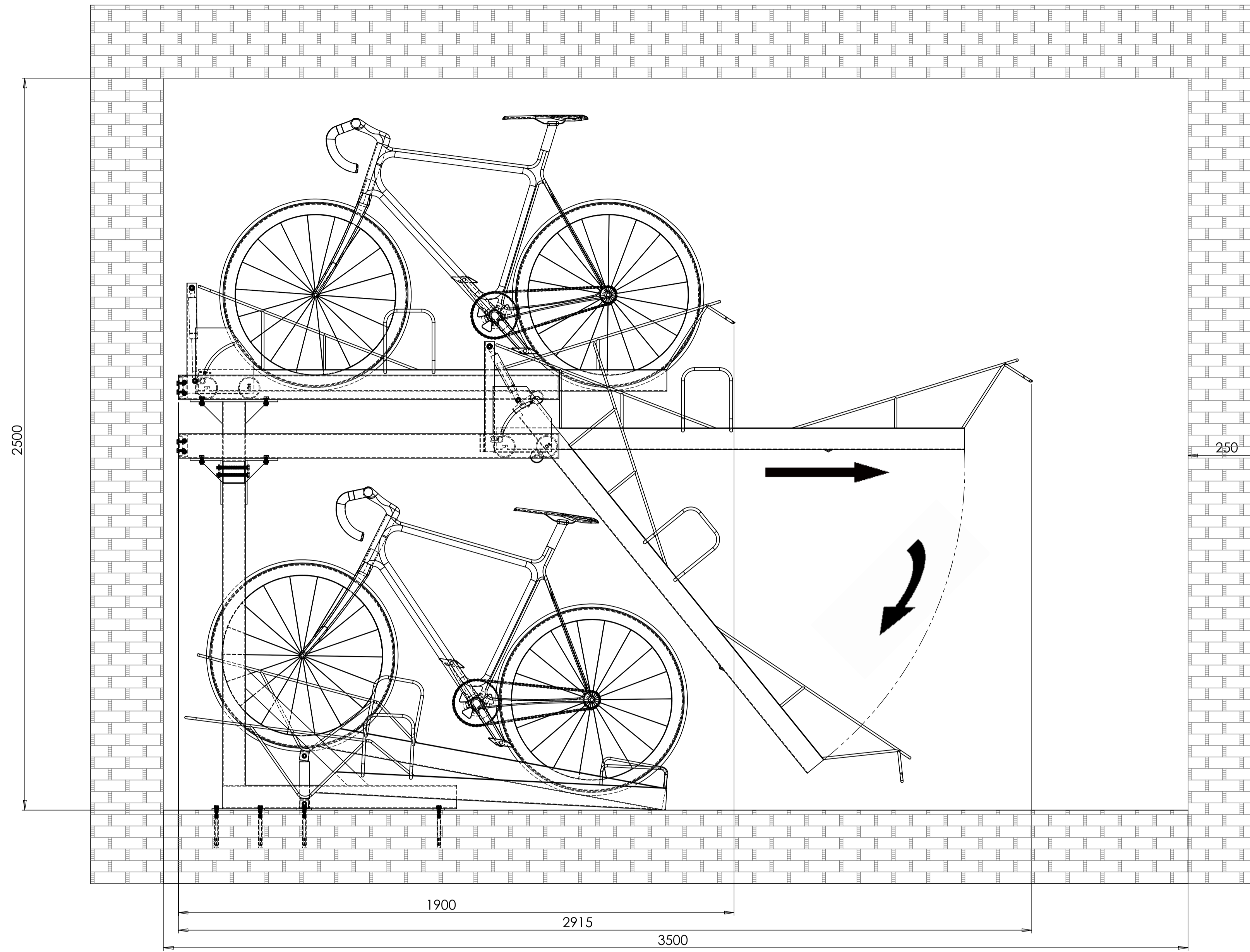
5 up 5 down  
10 Space



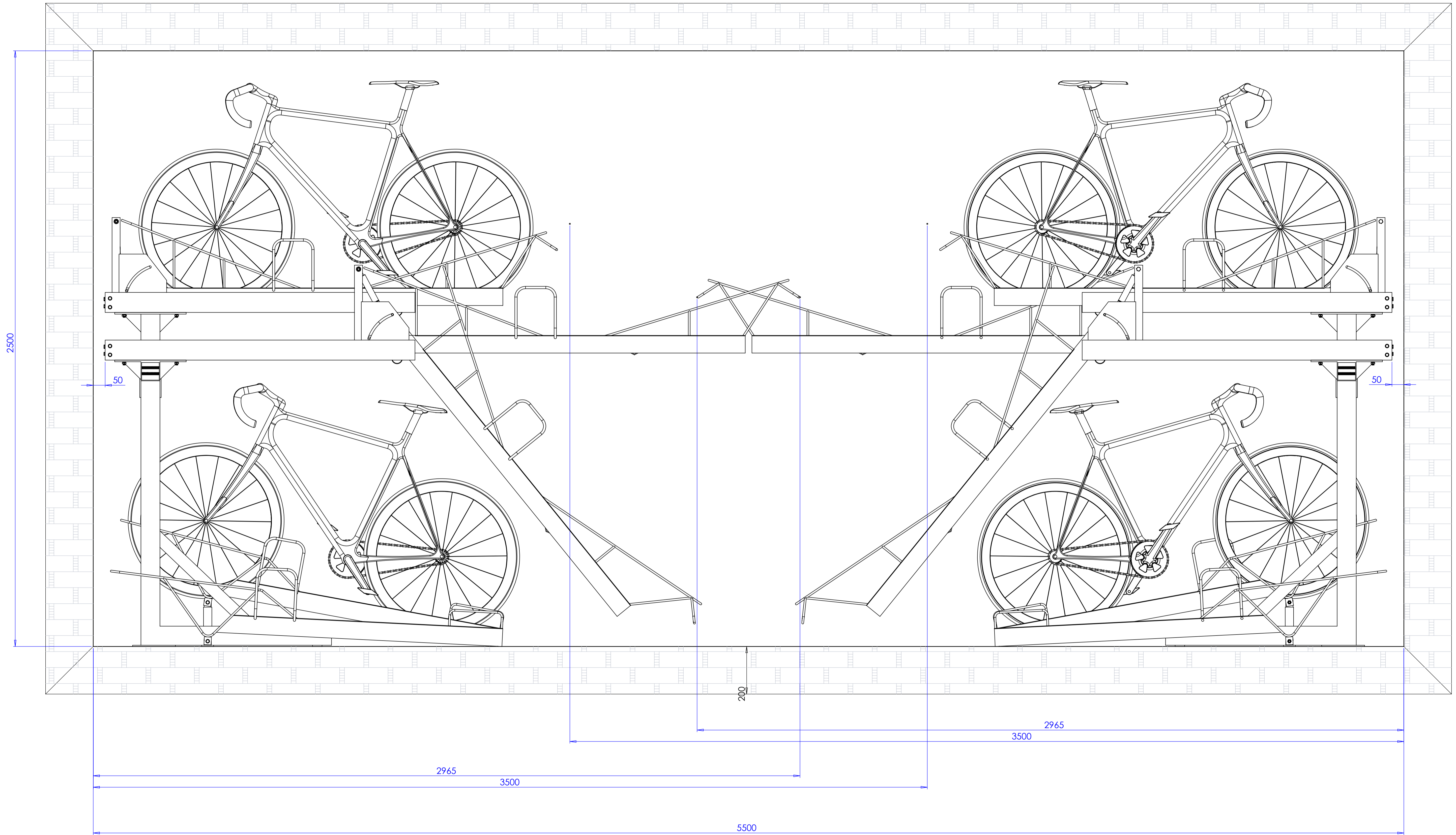
4 up 4 down  
8 Space



UNLESS OTHERWISE SPECIFIED: DIMENSIONS ARE IN MILLIMETERS			FINISH:	DEBUR AND BREAK SHARP EDGES	DO NOT SCALE DRAWING	REVISION
SURFACE FINISH:						
TOLERANCES:						
LINEAR:						
ANGULAR:						
DRAWN	NAME	SIGNATURE	DATE		TITLE:	
CHK'D					Bike Dock Solutions www.bikedocksolutions.com 0800 612 6113	
APP'VD						
MFG						
Q.A.						
				MATERIAL:	DWG NO.	Standard Set Spacing
				WEIGHT:	SCALE:1:12	A1
						SHEET 3 OF 9



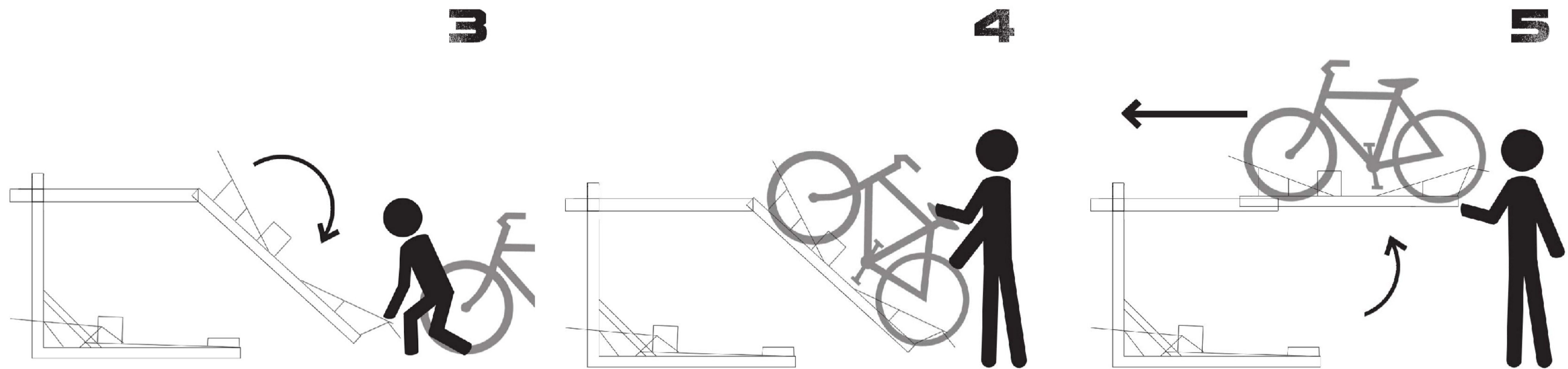
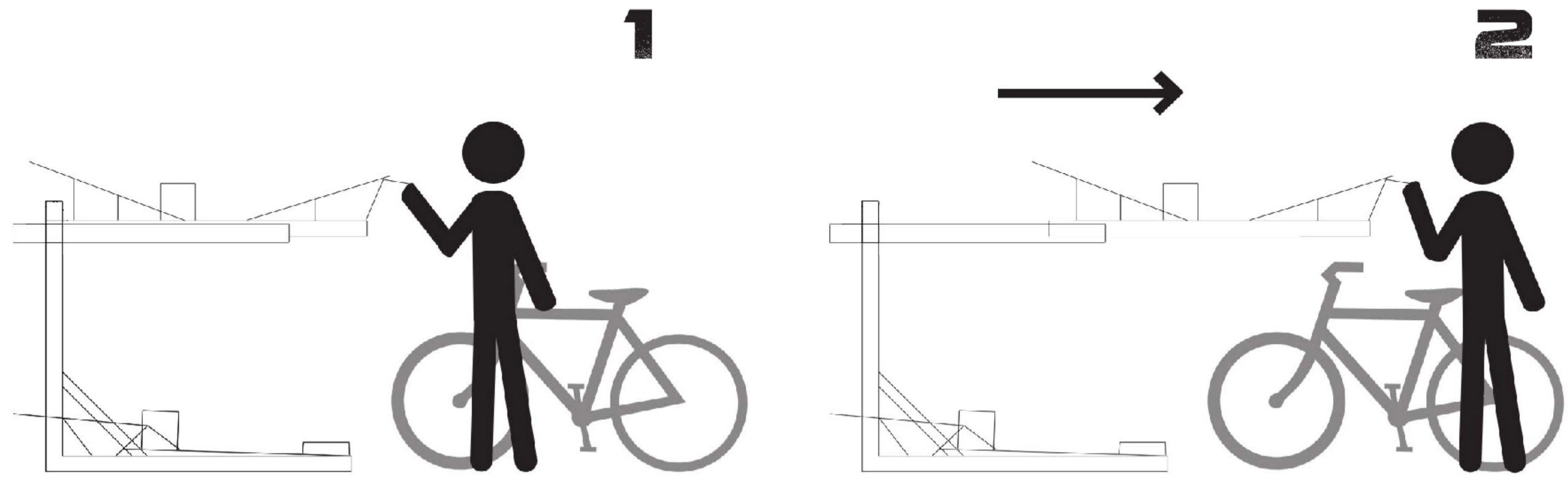
UNLESS OTHERWISE SPECIFIED: DIMENSIONS ARE IN MILLIMETERS				FINISH:	DEBUR AND BREAK SHARP EDGES	DO NOT SCALE DRAWING	REVISION
SURFACE FINISH:							
TOLERANCES:							
LINEAR:							
ANGULAR:							
DRAWN	NAME	SIGNATURE	DATE	TITLE:			
CHK'D				<b>Bike Dock Solutions</b> www.bikedocksolutions.com 0800 612 6113			
APP'VD							
MFG							
Q.A.							
				MATERIAL:	DWG NO.	Two Tier Rack Space Requirements Drawing	A1
				WEIGHT:	SCALE:1:10	SHEET 4 OF 9	



UNLESS OTHERWISE SPECIFIED: DIMENSIONS ARE IN MILLIMETERS			FINISH:	DEBUR AND BREAK SHARP EDGES	DO NOT SCALE DRAWING	REVISION
SURFACE FINISH:						
TOLERANCES:						
LINEAR:						
ANGULAR:						
DRAWN:	NAME	SIGNATURE	DATE		TITLE:	
CHK'D:					<b>Bike Dock Solutions</b> www.bikedocksolutions.com 0800 612 6113	
APP'VD:						
MFG:						
Q.A.						
				MATERIAL:	DWG NO.	Facing Racks
				WEIGHT:	SCALE:1:8	A1
					SHEET 5 OF 9	

## Two Tier Bike Rack Instructions

Bike Dock Solutions  
 www.bikedocksolutions.com  
 0800 612 6113



UNLESS OTHERWISE SPECIFIED: DIMENSIONS ARE IN MILLIMETERS SURFACE FINISH: TOLERANCES: LINEAR: ANGULAR:				FINISH:	DEBUR AND BREAK SHARP EDGES	DO NOT SCALE DRAWING	REVISION
DRAWN	NAME	SIGNATURE	DATE			TITLE:	
CHK'D						Bike Dock Solutions www.bikedocksolutions.com 0800 612 6113	
APP'VD						DWG NO.	Operation Instructions
MFG					MATERIAL:	SCALE: 1:50	A1
Q.A.					WEIGHT:	SHEET 7 OF 7	