

This drawing is copyright and may not be copied or reproduced without the written consent of this practice

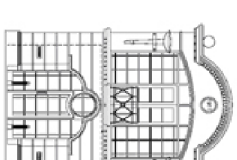
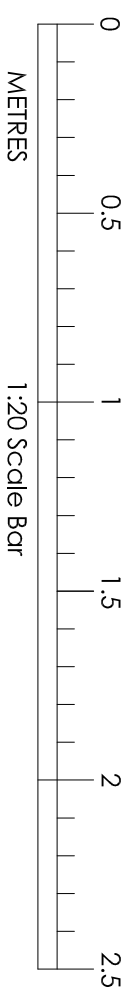
The contractor is responsible for setting out and must check all levels and dimensions prior to work being put in hand

This drawing should not be scaled. Only written dimensions are to be taken in respect of this project

The Architect is to be immediately notified of any suspect omissions or discrepancies

REV DATE COMMENT

REV BY



MILES BROE ARCHITECTURE LLP
CHARTERED ARCHITECTS AND PLANNING CONSULTANTS

Sussex Innovation Centre
Science Park Square, Falmer
Brighton, East Sussex, BN1 9SB
Telephone: 01273 625911
Fax: 01273 666381
www.milesbroearchitects.co.uk

CLIENT
THINKING OUTSIDE THE BOX

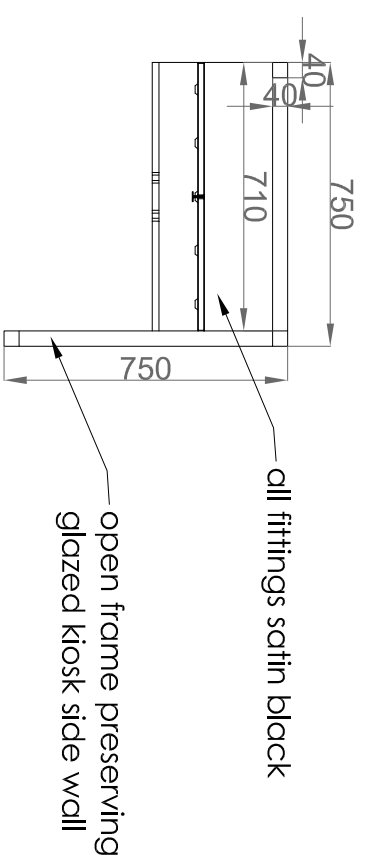
PROJECT
**CHANGE OF USE FROM 1NO.
PHONE BOX TO 1NO. NEW MOBILE
PHONE REPAIR SHOP**

**@ OUTSIDE 21 SOUTHAMPTON ROW,
LONDON, WC1B 5HA**

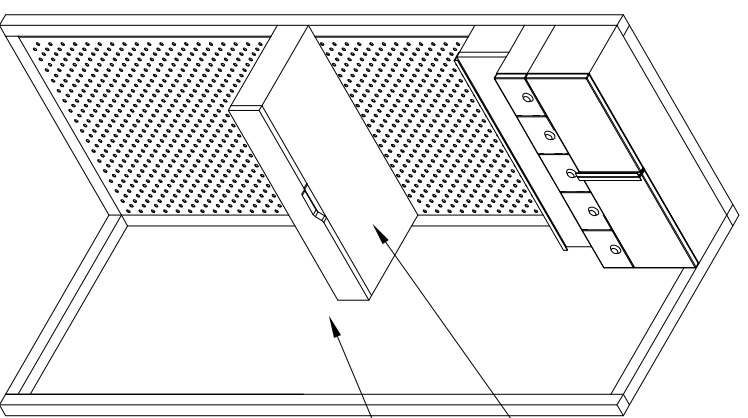
DRAWING
**PROPOSED DETAILED PLANS
ELEVATIONS OF LOVEPHONE
FITTINGS**

scale date drawn
1:20 @ A3 Feb 2017 FMB

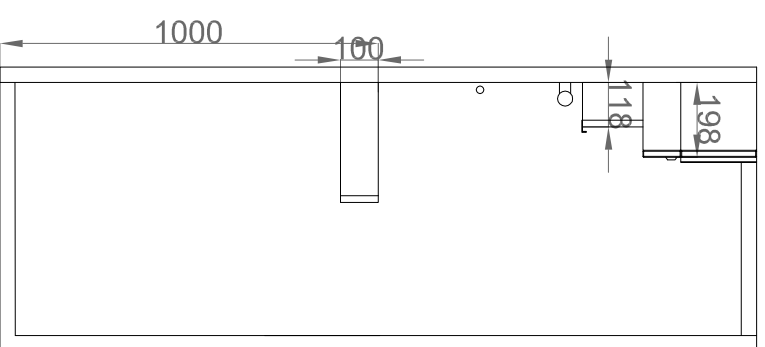
job no drawing no revision
9232-16.10 PL03



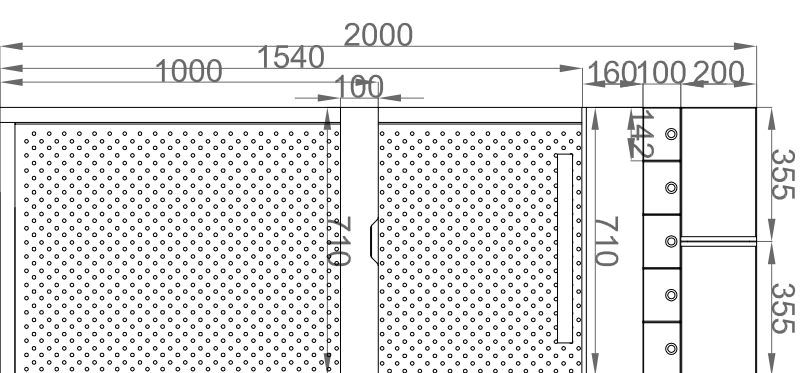
**Proposed Plan
@ 1 : 20**



oill fittings satin black
open frame preserving
glazed kiosk side wall



**Proposed Side
Elevation of Unit @ 1 : 20**



**Proposed Rear
Elevation of Unit @ 1 : 20**

Proposed Axonometric of Unit @ 1 : 20