

GREASE INTERCEPTOR FOR
TYPICAL ON FLOOR INSTALLATION
1/20@A3

- ① The unit, in conjunction with the Inlet Control Device (ICD) which both introduces air to the influent and protects the interceptor from influent surges, creates turbulence and slows the influent velocity.
- ② The influent is then forced upward by the integral ramp having been converted into a laminar flow by the mouth of the inlet baffle.
- ③ The grease then floats to the top of the tank assisted by the entrained air introduced by the ICD, where it collects and is retained.
- ④ Any food particles remaining in the influent separate out of the flow under gravity and fall onto the ramp of the outlet baffle.
- ⑤ The linear design of the outlet baffle opening, creates a suction effect drawing the waste water and over 90% of the silt and particulates out of the tank, thereby reducing the required maintenance period. It is recommended however that the interceptor be fully dismantled and cleaned thoroughly on a 6 monthly basis, in addition to its regular servicing schedule.



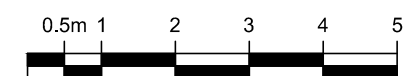
ARCHITECTURE / PLANNING / LICENSING
Unit 17, Ashley House, Ashley Road
London N17 9LZ
020 8801 6601 / 0 7879 999 178
www.advancepl.co.uk
info@advancepl.co.uk

PLEASE NOTE

1. All dimensions to be verified on site.
2. All dimensions are in millimeters.
3. No work shall commence until all approvals and agreements have been obtained. These include, Planning, Building Regulations, Thames Water and Party Wall.
4. The Copyright of this drawing belongs to Advance Planning and Licensing Limited.

Date 20/12/16

Scale (@ A3) 1 : 100



Drawn by AZ

Checked by KK

PROJECT STATUS **PLANNING**
PROPOSED

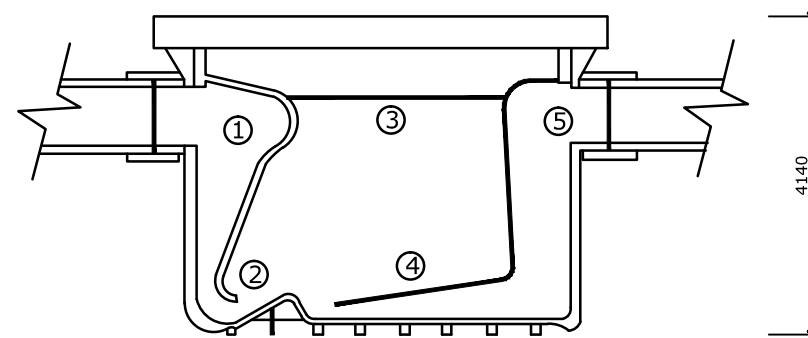
PROJECT 128a Camden Road
NW1 9EE

SHEET SITE

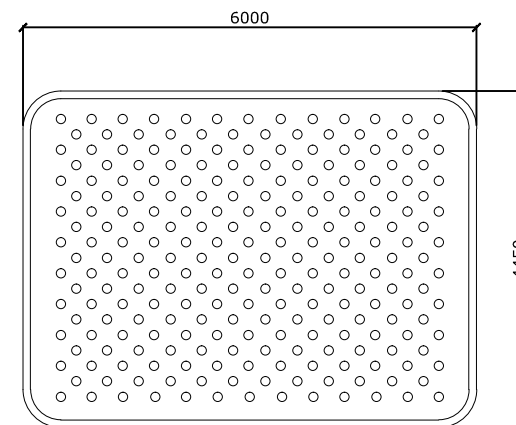
JOB No. **16.050.04**

DRAWING NUMBER **P 104** REV

NOTE:
1. All dimensions to be verified on site DO NOT SCALE DIRECTLY ON DRAWING.
2. All dimensions are in millimeters.
3. No work shall commence until all approvals and agreements have been obtained. These include, Planning, Building Regulations, Thames Water and Party Wall.
4. The Copyright of this drawing belongs to Advance Planning and Licensing Limited.



GREASE INTERCEPTOR SECTION DETAIL
1/10@A3



GREASE INTERCEPTOR PLAN
1/10@A3