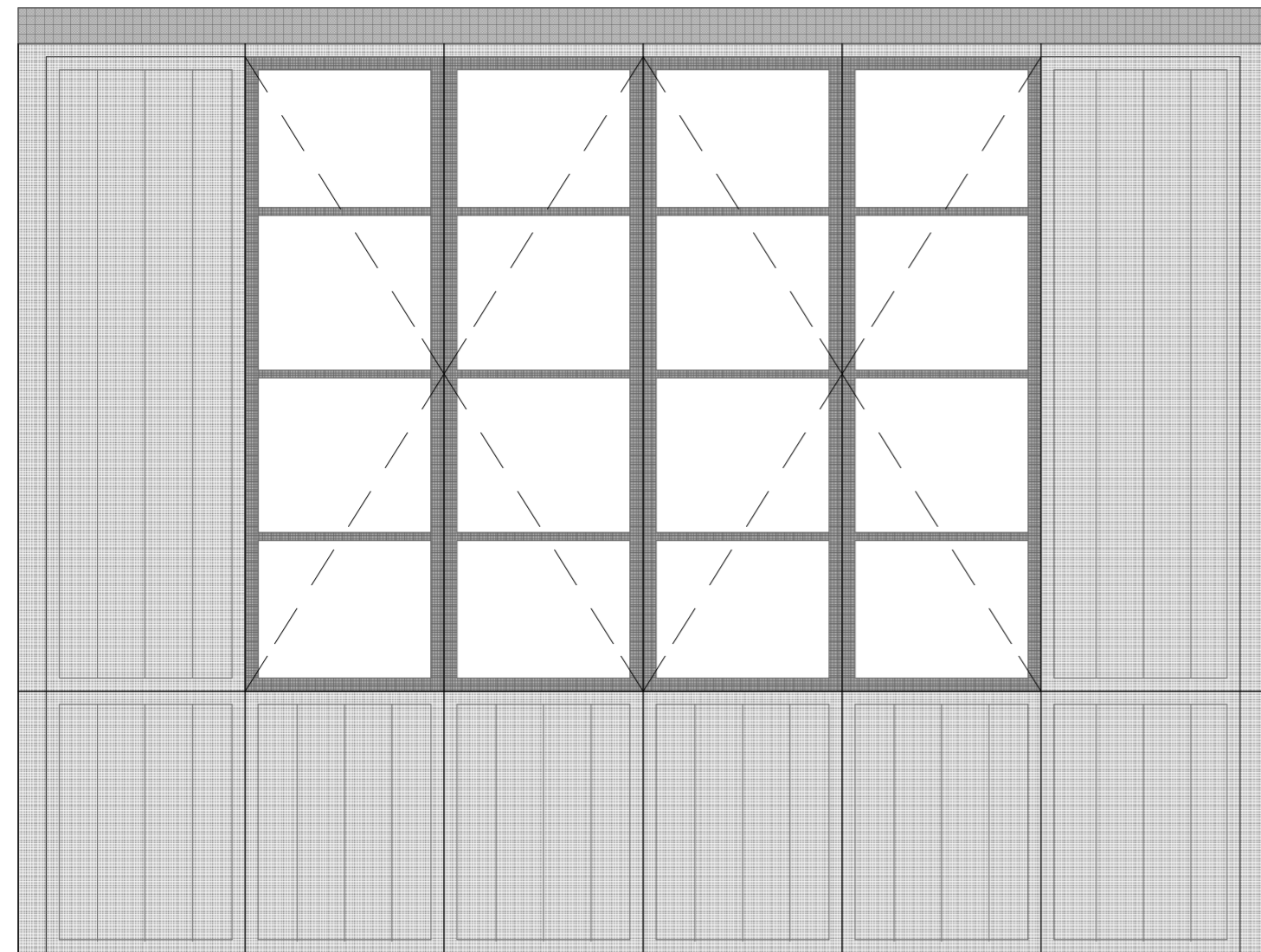
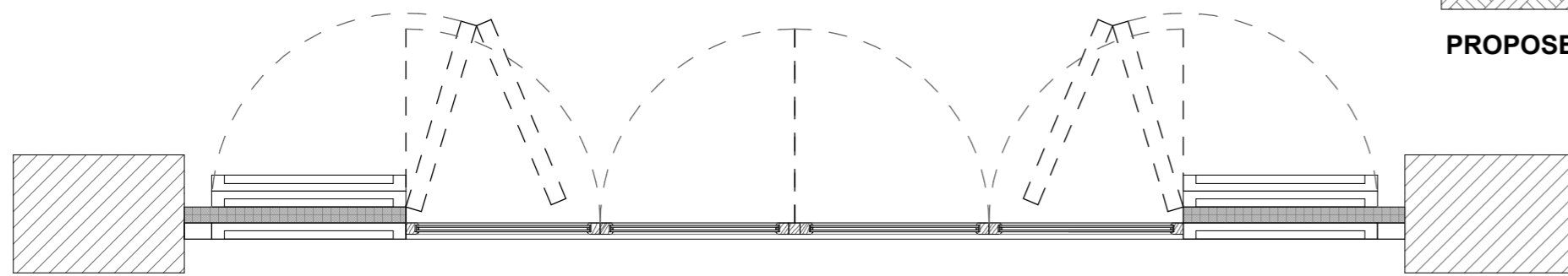


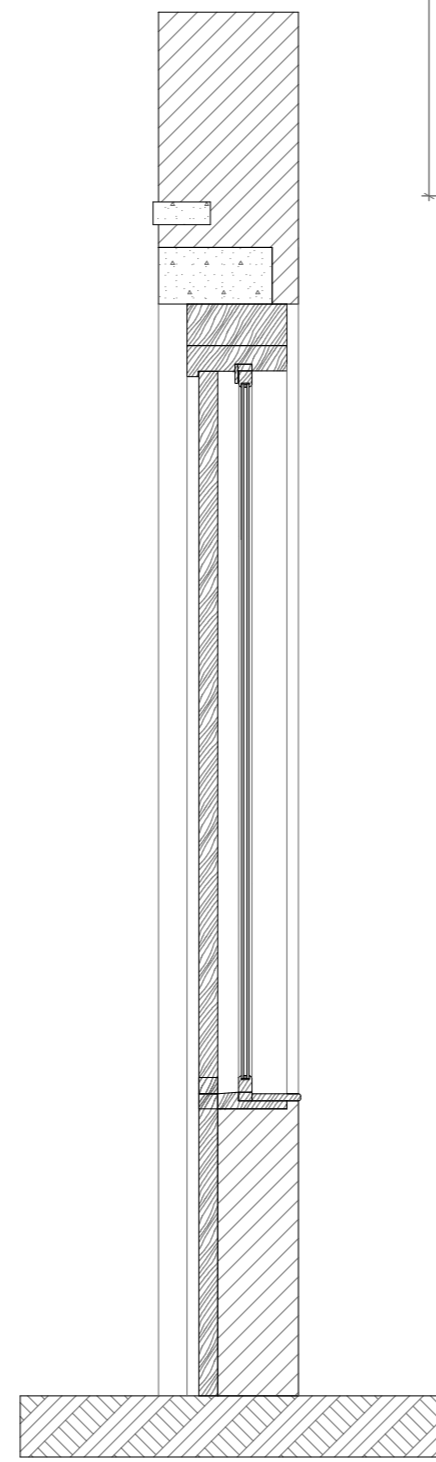
PROPOSED DOOR ELEVATION - SHUTTERS CLOSE - BEHIND GLAZING



PROPOSED DOOR ELEVATION - SHUTTERS OPENED



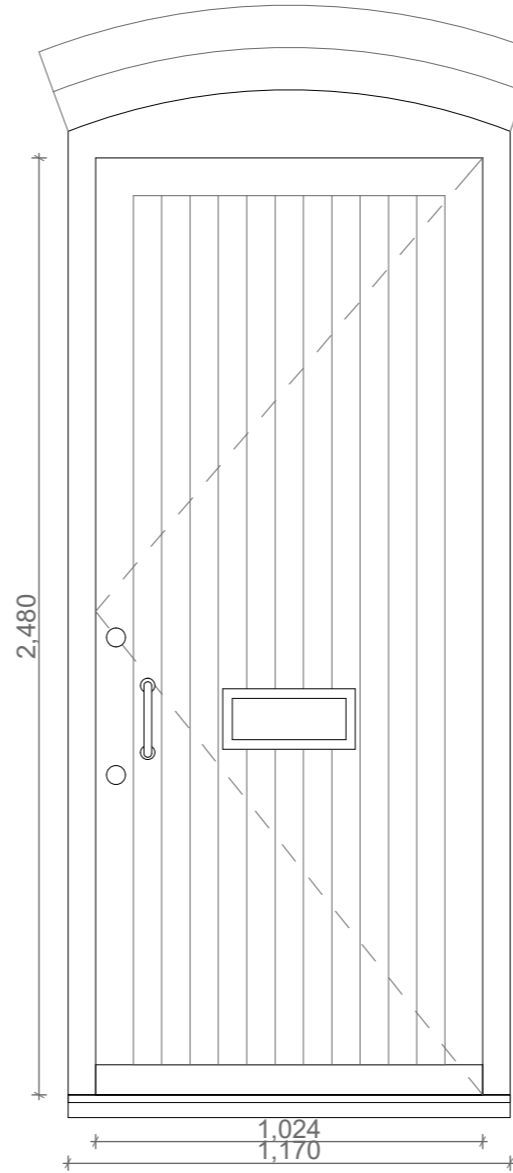
PROPOSED DOOR PLAN



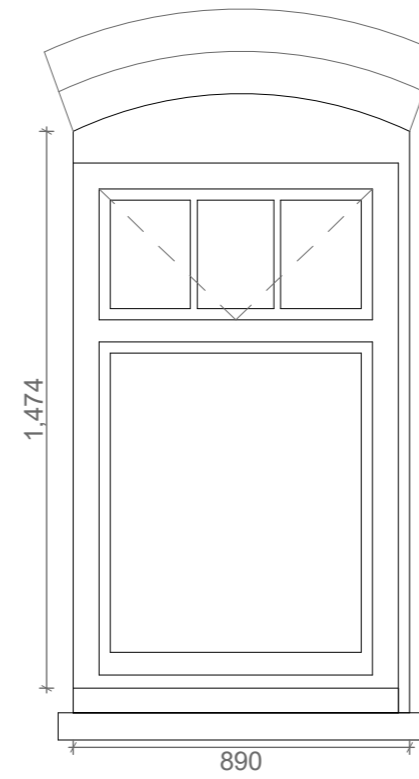
PROPOSED DOOR SECTION

SCALE 1:20 0 400 800mm

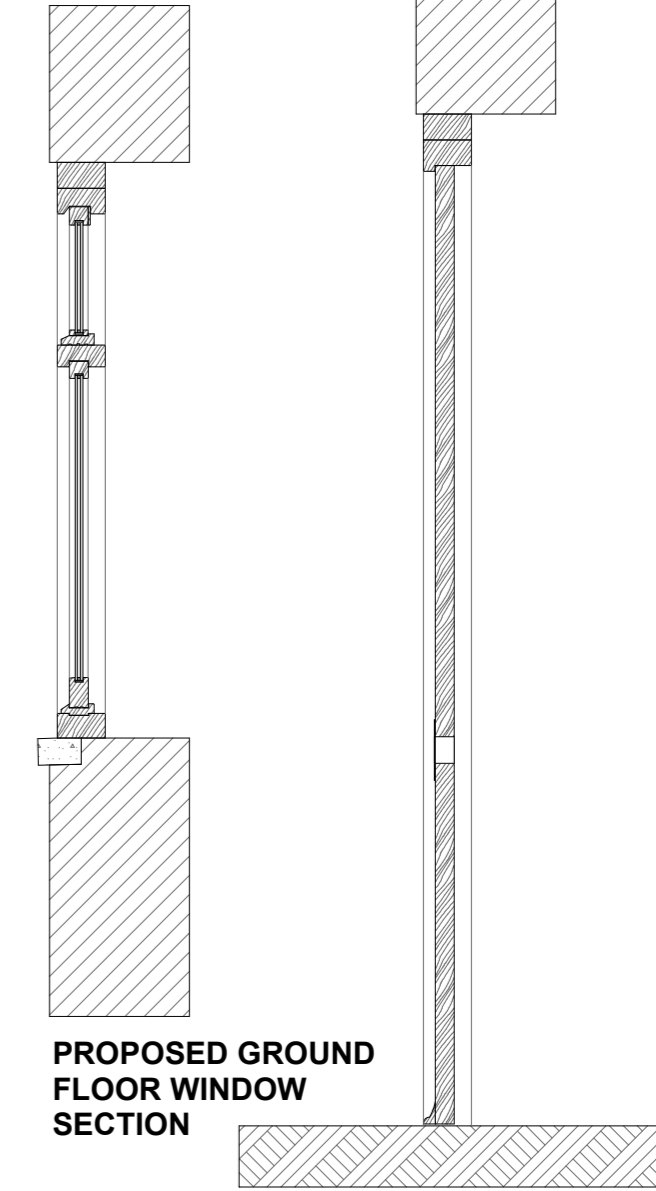
SCALE 1:100 0 2000 4000mm



PROPOSED ENTRANCE DOOR ELEVATION



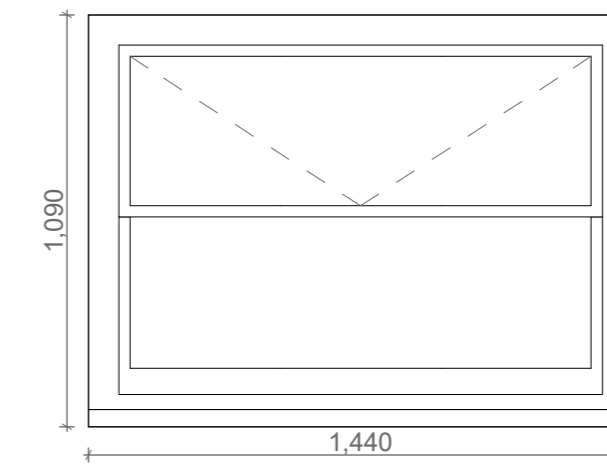
PROPOSED GROUND FLOOR WINDOW ELEVATION



PROPOSED GROUND FLOOR WINDOW SECTION

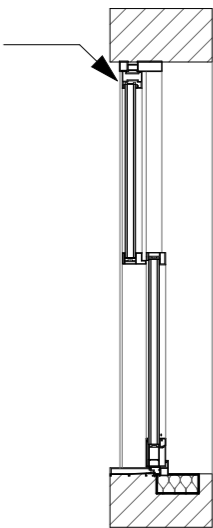


PROPOSED ELEVATION 1:100

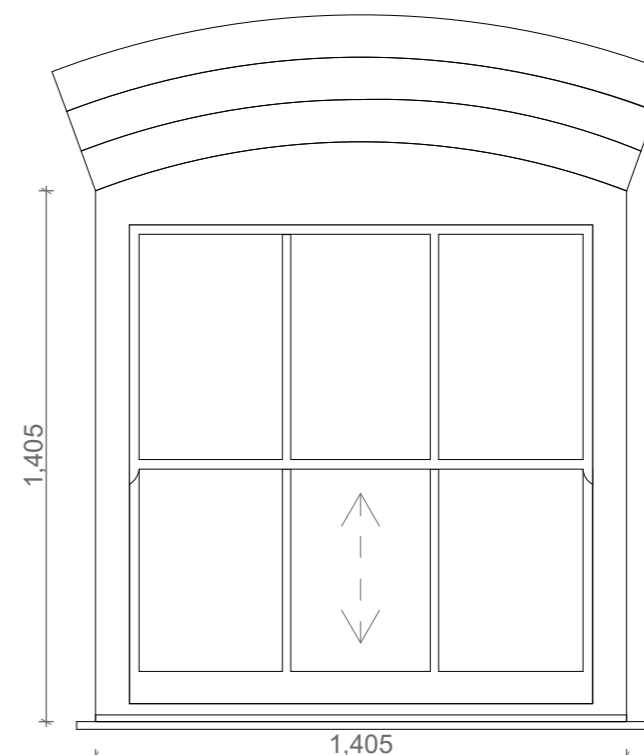


PROPOSED SECOND FLOOR WINDOW ELEVATION

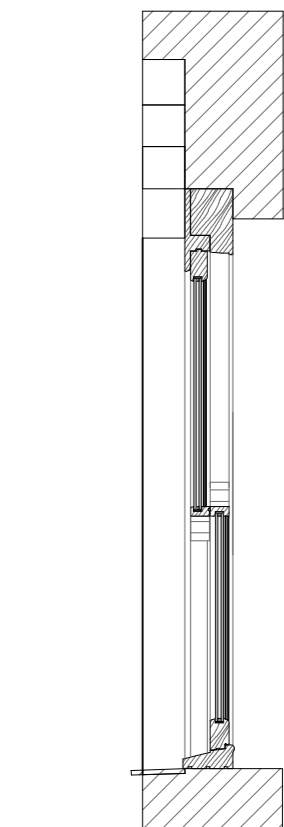
Aluminium sash detail; same colour as the new roof (to blend in)



PROPOSED SECOND FLOOR WINDOW SECTION



PROPOSED FIRST FLOOR WINDOW ELEVATION



PROPOSED FIRST FLOOR WINDOW SECTION

DRAWING NOT TO BE USED OTHER THAN THE PURPOSE FOR WHICH IT WAS PREPARED. IT'S SUPPLIED WITHOUT LIABILITY FOR ERRORS OR OMISSIONS. ALL DIMENSIONS ARE TO BE CHECKED ON SITE. THIS DRAWING IS TO BE READ IN CONJUNCTION WITH ALL OTHER DRAWINGS. NOTES ON THIS DRAWING WILL APPLY TO ALL OTHER DRAWINGS WHERE A SIMILAR POSITION EXISTS.

Client:  
**Brendan and Julia O'Toole**

Site Details  
**27 John's Mews**

proposed facade detailed

Sheet No.  
**A5.02**

Project No. 1234  
Date 17/02/2017  
Paper Size A1  
Scale