

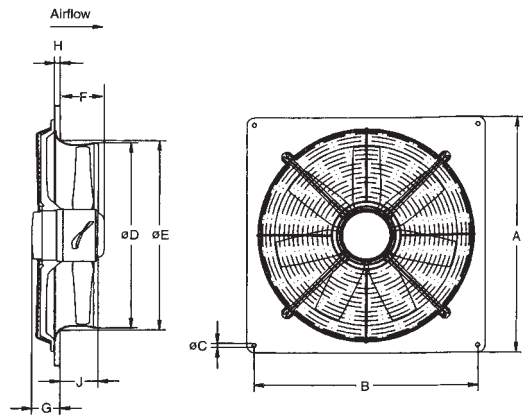
ZAP/ZSP/AW Plate mounted axial fans

by Ziehl Abegg

- Sickle & aerofoil bladed fans, 200 mm to 710 mm
- Fan - single phase, 230 V, 1 Ph, 50 Hz
- Diecast aluminium impellers
- (AW type pressed steel blades)
- Insulation class 'F' IP54 (AW type IP44)
- Operating range -40°C to 70°C
- Thermal protection 'TK'
- Galv steel wall plate with bellmouth
- Corrosion resistant paint pebble grey (AW type black)
- Inlet guard
- IP54 terminal box
- Maintenance free, sealed for life bearings



Single Phase Product Code	Speed rpm	Airflow m ³ /sec @ Static Pressure Pa			Motor Data			dBA @ 3m	Speed Control	
		0 Pa	50 Pa	100 Pa	FLC	SC	kW		Elec	Trans
AW200-E2-K	2600	0.253	0.214	0.097	0.32	1.28	0.071	55	SC 1,5	RE 1,5
AW200-E4-K	1400	0.117	0.013	-	0.062	0.248	0.016	38	SC 1,5	RE 1,5
AW250-E2-K	2500	0.504	0.43	0.241	0.6	2.4	0.14	60	SC 1,5	RE 1,5
AW250-E4-K	1400	0.268	0.1	-	0.21	0.84	0.047	44	SC 1,5	RE 1,5
AW300-E2-K	2700	0.97	0.85	0.75	1.1	2.7	0.23	61	SC 1,5	RE 1,5
AW300-E4-K	1390	0.51	0.36	-	0.32	1.1	0.07	45	SC 1,5	RE 1,5
ZAP315-21	2650	1.056	0.985	0.92	2.1	6.0	0.47	61	N/A	RTRE 3
ZSP315-41	1400	0.611	0.5	-	0.59	1.5	0.13	46	SC 1,5	RTRE 1,5
ZAP315-61	880	0.375	-	-	0.37	0.7	0.07	40	SC 1,5	RTRE 1,5
ZSP350-41	1400	0.872	0.739	0.52	0.9	2.5	0.2	49	SC 1,5	RTRE 1,5
ZAP350-61	910	0.722	-	-	0.5	1.0	0.1	44	SC 1,5	RTRE 1,5
ZSP400-41	1320	1.306	1.143	0.888	1.35	2.9	0.31	51	SC 3,0	RTRE 3
ZAP400-61	940	0.986	-	-	0.6	1.4	0.13	48	SC 1,5	RTRE 1,5
ZSP450-41	1310	2.01	1.805	1.509	2.8	7.0	0.61	55	SC 3,0	RTRE 3
ZSP450-61	910	1.368	0.98	-	0.91	2.1	0.21	48	SC 1,5	RTRE 1,5
ZSP500-41	1210	2.517	2.248	1.876	3.4	7.4	0.77	53	N/A	RTRE 5
ZSP500-61	890	1.787	1.354	-	1.25	2.4	0.29	47	SC3,0	RTRE 1,5
ZAP560-41	1300	3.61	3.338	3.027	7.5	15.0	1.6	68		RTRE 7
ZAP560-61	880	2.474	1.923	-	1.95	4.6	0.43	55	SC3,0	RTRE 3
ZAP630-61	880	3.345	2.77	-	2.7	5.3	0.6	59	SC3,0	RTRE 3
ZAP630-81	650	2.472	-	-	1.45	3.1	0.32	55	SC3,0	RTRE 3
ZAP710-61	850	4.573	3.91	-	4.1	8.0	0.89	61	SC5,0	RTRE 5



ZAP/ZSP/AW Plate mounted axial fans

by Ziehl Abegg

- Air operated louvre shutters available for all sizes, please quote VK size, e.g. VK400
- Motor side guards



Three Phase Product Code	Speed rpm	Airflow m ³ /sec @ Static Pressure Pa			Motor Data			dBA @ 3m	Speed Control Trans
		0 Pa	50 Pa	100 Pa	FLC	SC	kW		
ZSP315-43	1410	0.611	0.504	-	0.29	1.0	0.12	46	RTRD2
ZAP315-63	900	0.368	-	-	0.14	0.45	0.05	40	RTRD2
ZSP350-43	1360	0.861	0.71	0.472	0.35	1.0	0.18	48	RTRD2
ZAP350-63	910	0.736	-	-	0.25	0.75	0.09	44	RTRD2
ZSP400-43*	1300	1.292	1.11	0.842	0.48	1.35	0.27	50	RTRD2
ZSP400-63*	970	1.057	0.716	-	0.29	0.78	0.18	46	RTRD2
ZSP450-43*	1340	2.042	1.867	1.577	1.15	3.7	0.61	56	RTRD2
ZSP450-63*	1000	1.663	1.318	-	0.72	1.25	0.41	50	RTRD2
ZSP500-43*	1340	2.694	2.46	2.164	1.35	4.7	0.78	56	RTRD2
ZSP500-63*	1000	2.173	1.75	-	0.94	1.6	0.55	49	RTRD2
ZAP560-43	1300	3.426	3.1	2.66	1.8	7.0	1.0	63	RTRD4
ZAP560-63	860	2.4	1.838	-	0.81	1.75	0.39	55	RTRD2
ZAP630-43	1360	5.22	4.85	4.49	3.2	14.0	1.9	70	RTRD4
ZAP630-63	880	3.39	2.826	-	1.5	3.6	0.7	60	RTRD2
ZAP630-83	630	2.472	-	-	0.65	2.0	0.31	55	RTRD2
ZAP710-43	1350	6.81	6.53	6.18	4.9	23.0	2.9	70	RTRD7
ZAP710-63	890	4.71	4.11	3.29	1.8	6.4	0.89	62	RTRD2
ZAP710-83	640	3.39	2.33	-	1.1	3.3	0.42	55	RTRD2
ZAP800-63	900	6.4	5.75	4.85	2.7	9.8	1.4	62	RTRD4
ZAP800-83	680	4.87	3.82	-	1.8	5.5	0.72	55	RTRD2
ZAP1000-63	935	13.89	13.33	12.71	10.5	67.0	5.5	78	Inverter
ZAP1000-83	670	9.6	8.72	7.62	4.2	13.0	2.2	66	RTRD7
ZAP1000-103	530	8.06	6.79	-	2.7	9.5	1.25	60	RTRD4

* 4 Pole fan with two speed motor. Pre-wired Delta for high speed (4 pole). Change to Star configuration for 6 pole speed.

Plate axial dimensions

Size	A	B	ØC	ØD	ØE	F	G	H	J	kg
200	312	260	7	203	215	46	73	6	46	2,7
250	370	320	7	257	265	49	73	6	49	3,9
300	430	380	9	324	330	62	78	11	62	5
315	430	380	9	320	328	84	81	11	70	6,1
350	485	435	9	367	372	97	87	12	75	7,2
400	540	490	9	412	420	104	87	12	88	10,2
450	575	535	11	463	480	143	75	14	96	15,1
500	655	615	11	517	528	141	77	16	104	19,2
560	725	675	11	568	589	160	62	16	119	25
630	805	750	11	643	670	175	66	20	130	32,5
710	850	810	14,5	720	763	242	66	20	150	43
800	970	910	14,5	807	870	202	51	20	150	38
1000	1170	1135	14,5	1009	1067	286	80	20	200	92