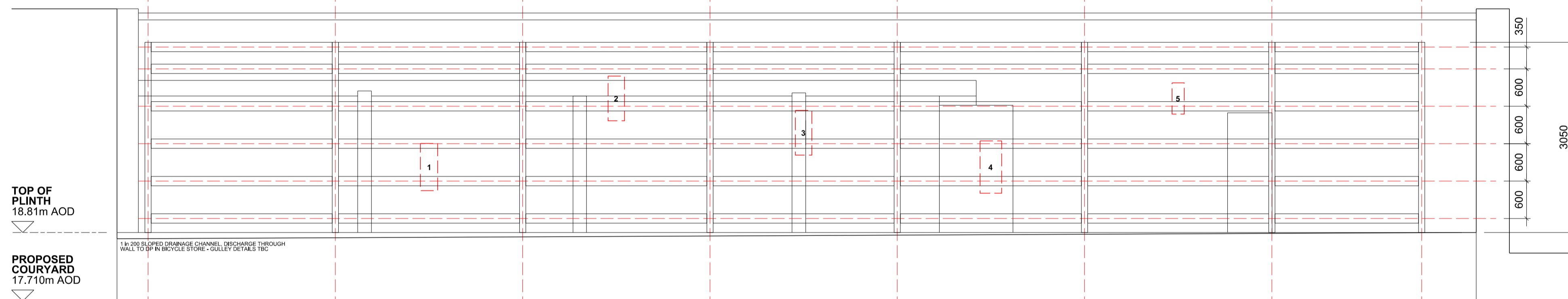
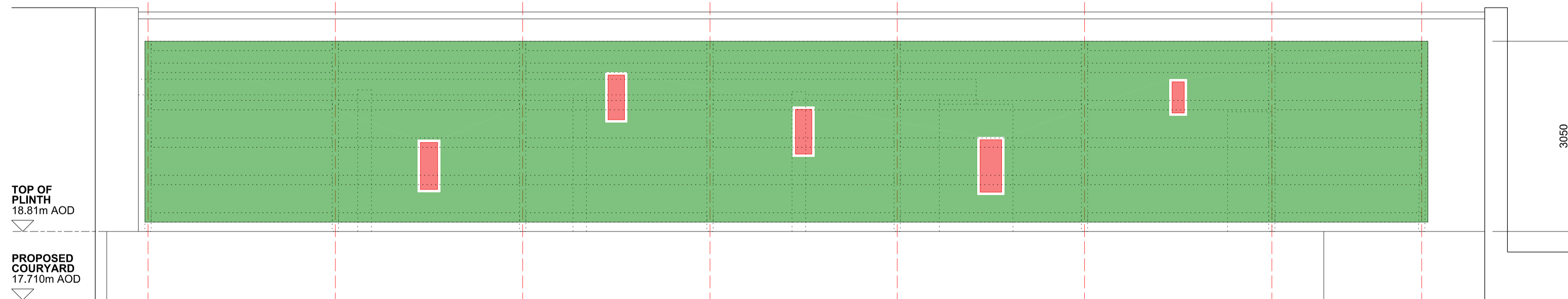


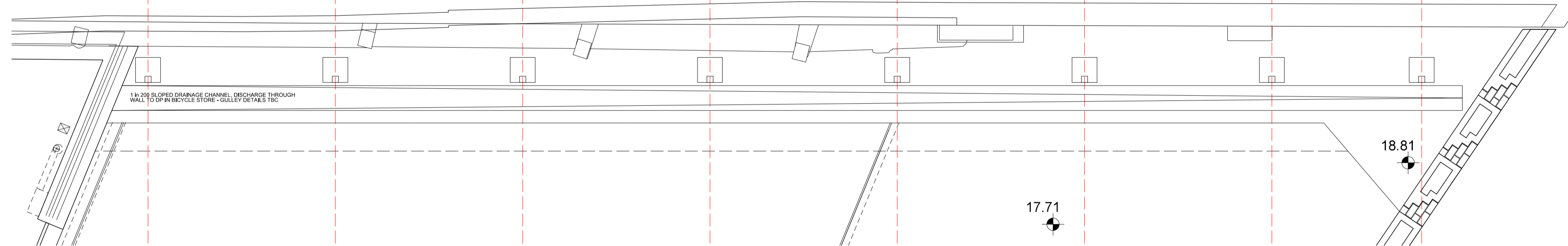
**NORTH BOUNDARY WALL**



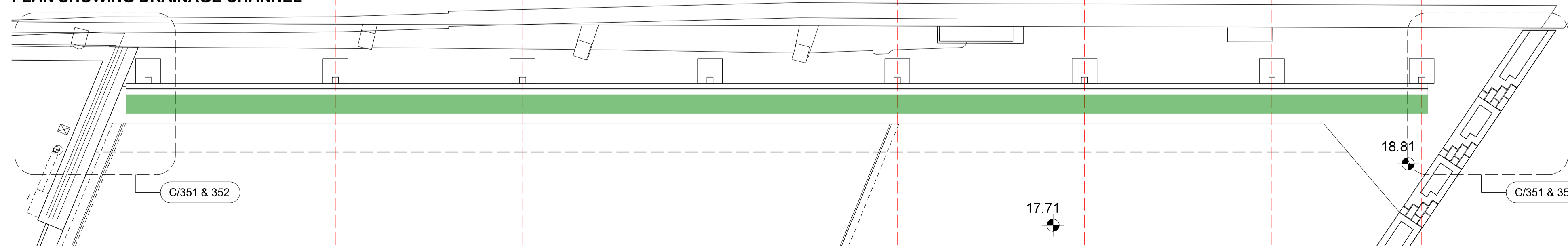
**STRUCTURAL SUPPORT OF GREEN WALL, INC DRAINAGE CHANNEL**



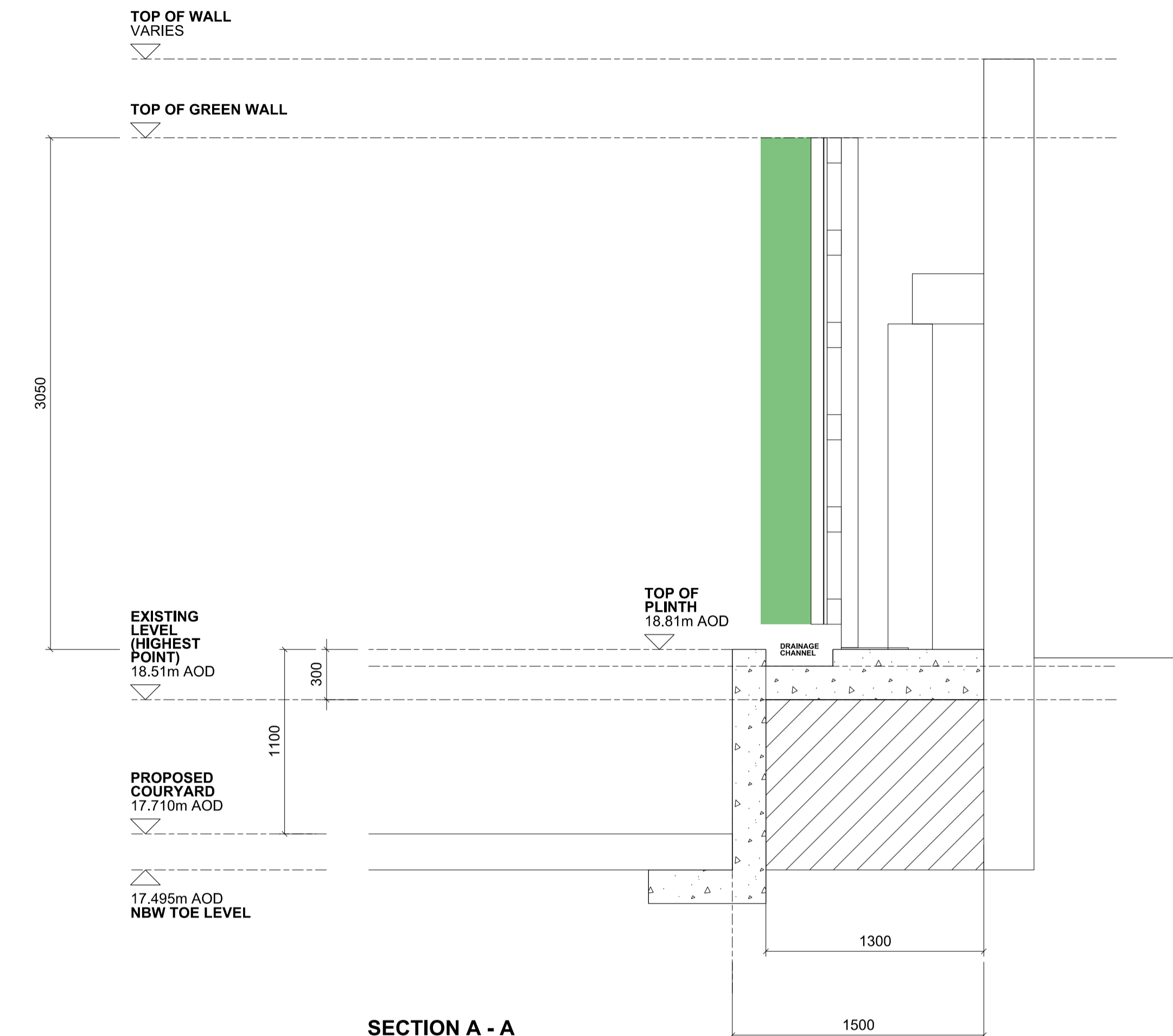
**EXTENT OF GREEN WALL**



**PLAN SHOWING DRAINAGE CHANNEL**



**PLAN SHOWING GREEN WALL BUILD UP**



**SECTION A - A**

**GREEN WALL SUPPORT STRUCTURE**

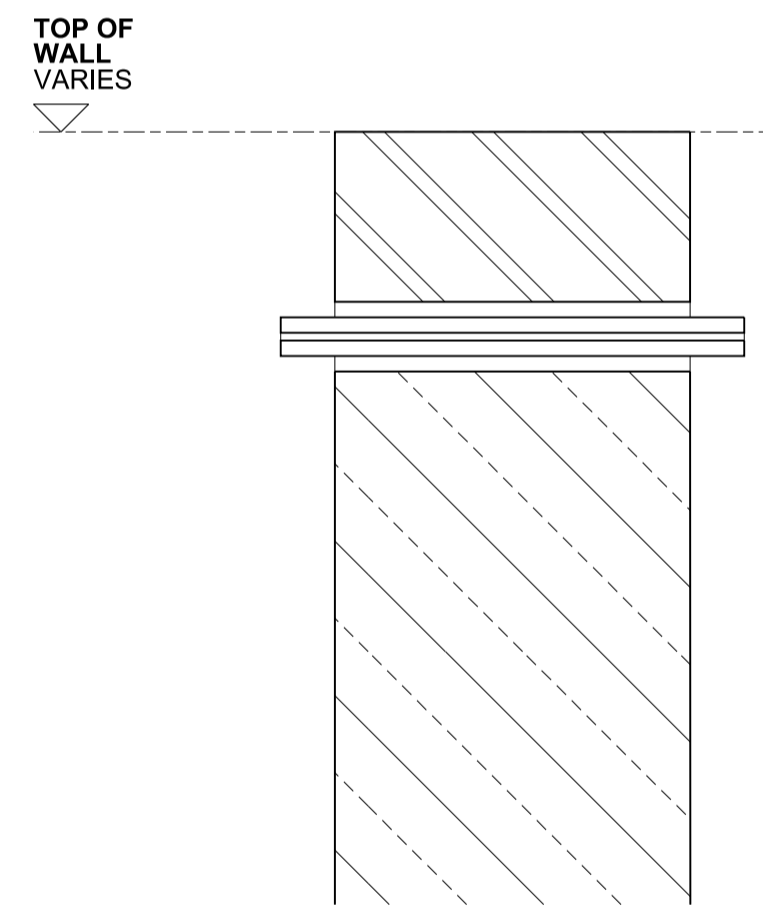
8 No 100 SHS 8.0 FIXED TO 400mm SQ PLATE, BOLTED TO SLAB

6 No ROWS OF 150 x 50mm PFC's FOR CLADDING SUPPORT, FIXED AS INDICATED

SUPPORT FOR POST BOXES TO BE CONFIRMED

**POST BOX SPECIFICATIONS**

1. **VR FIRST STANDARD**  
276 x 756 x 368mm, 53.5kg
2. **EVIR C TYPE**  
264 x 717 x 330mm, 63kg
3. **VR C TYPE**  
264 x 717 x 330mm, 67kg
4. **VR B TYPE**  
345 x 840 x 340mm, 99kg
5. **VR LAMP BOX**  
195 x 500 x 330mm, 30kg



**PROPOSED WORKS TO TOP OF NBW**

- REMOVE BRICK COPING AND SAFELY STORE.
- CAREFULLY REMOVE ALL VEGETATION.
- ALLOW FOR A NEW TILE DPC UNDER, AND RE-BED BRICK COPINGS. LIKE FOR LIKE REPAIR

Amendment \_\_\_\_\_ Date \_\_\_\_\_  
**PLANNING CONDITION DISCHARGE APPLICATION**

BRITISH POSTAL MUSEUM & ARCHIVE  
 MOUNT PLEASANT, LONDON  
 NORTH BOUNDARY WALL

Job/Drawing No  
**1625/P/550**

Scale 1:100, 1:50, 1:10 @ A3  
 Date JANUARY 2017  
 Drawn AT GROUP

Do not scale  
 Original printed at A1  
 All dimensions to be checked on site



FeildenCleggBradleyStudios  
 LLP  
 Bath Brewery  
 Toll Bridge Road  
 Bath BA1 7DE  
 t 01225 852545  
 f 01225 852528  
 e bath@fcbstudios.com

