

TREAD NO.

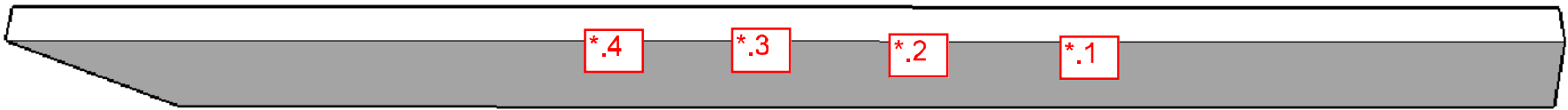
TYPE.



TOP



Length

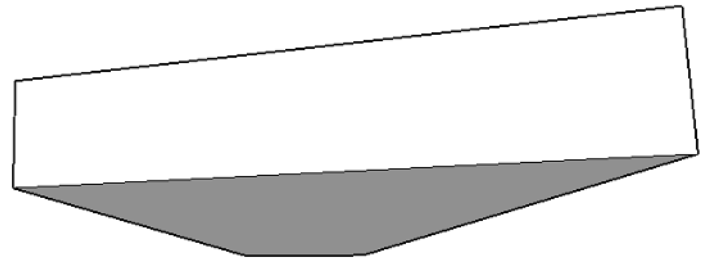
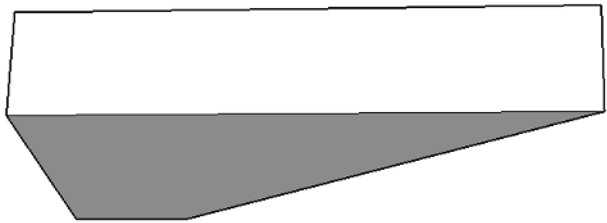


BOTTOM

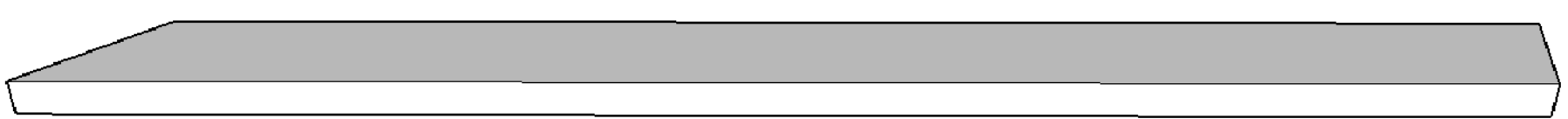
Width



Height



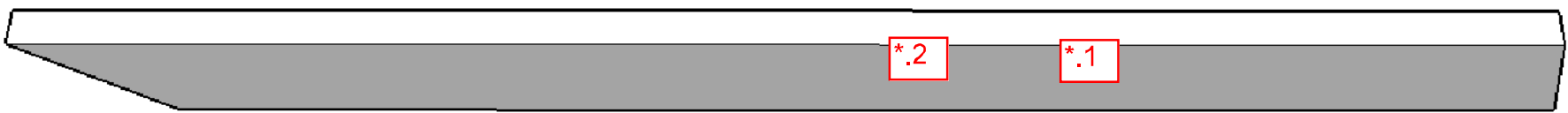
TREAD NO.   
TYPE.



TOP



Length

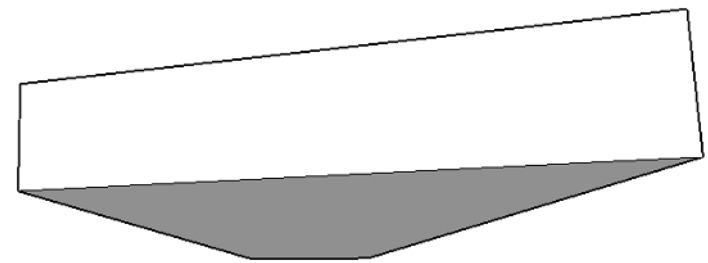
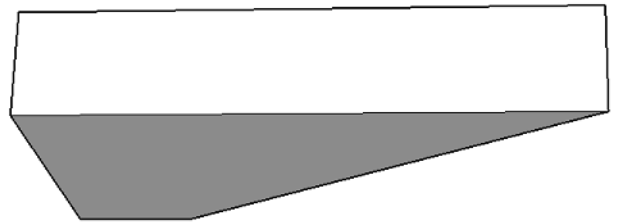


BOTTOM

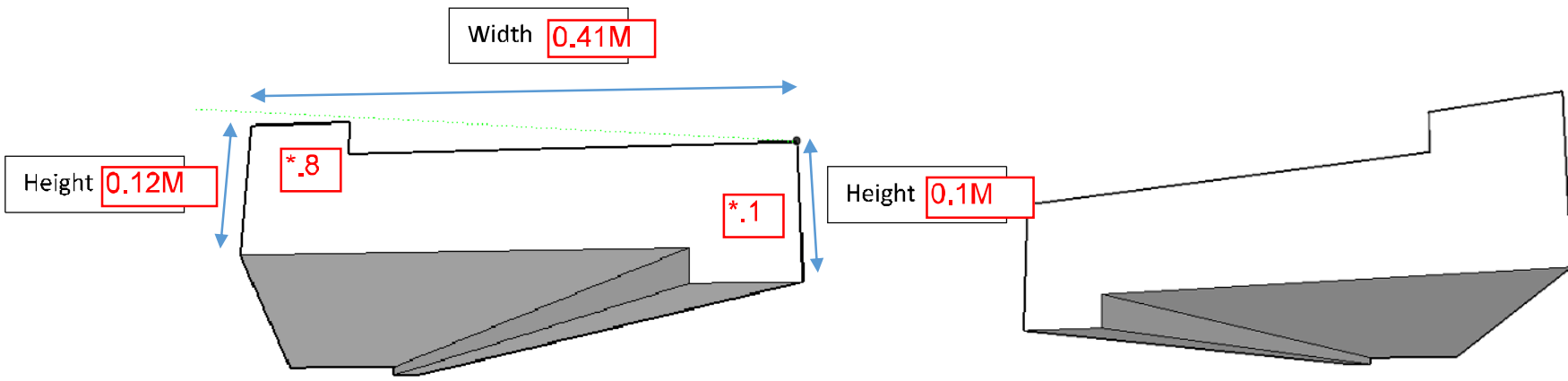
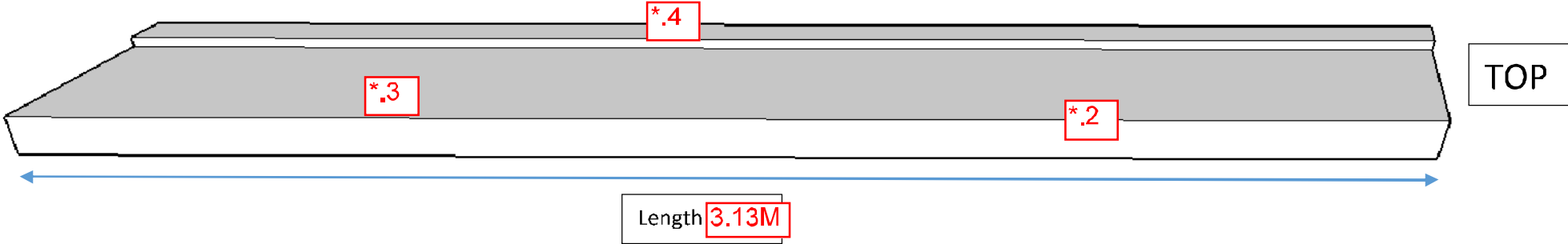
Width



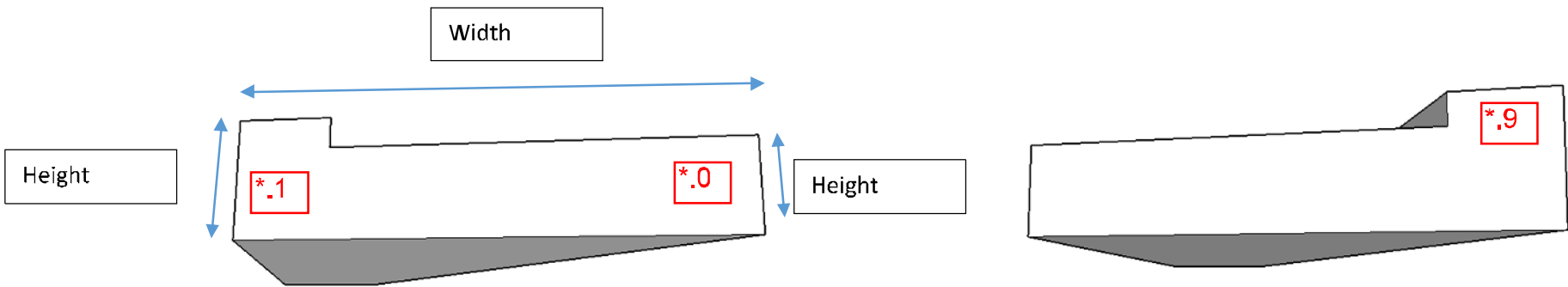
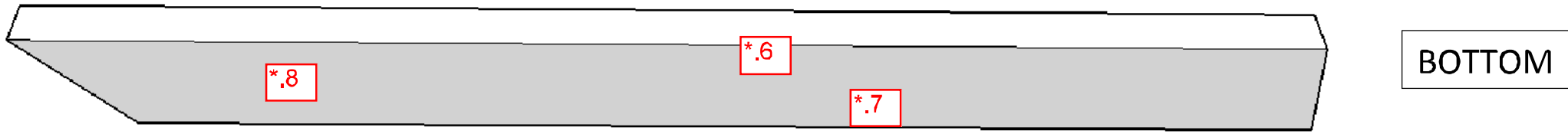
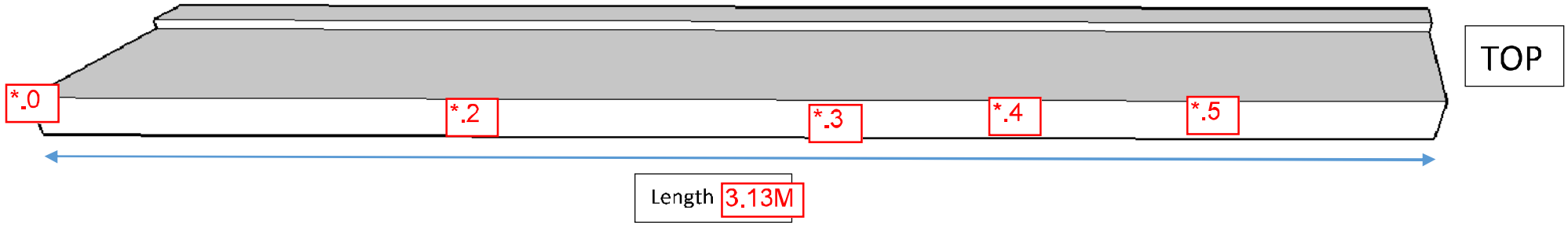
Height



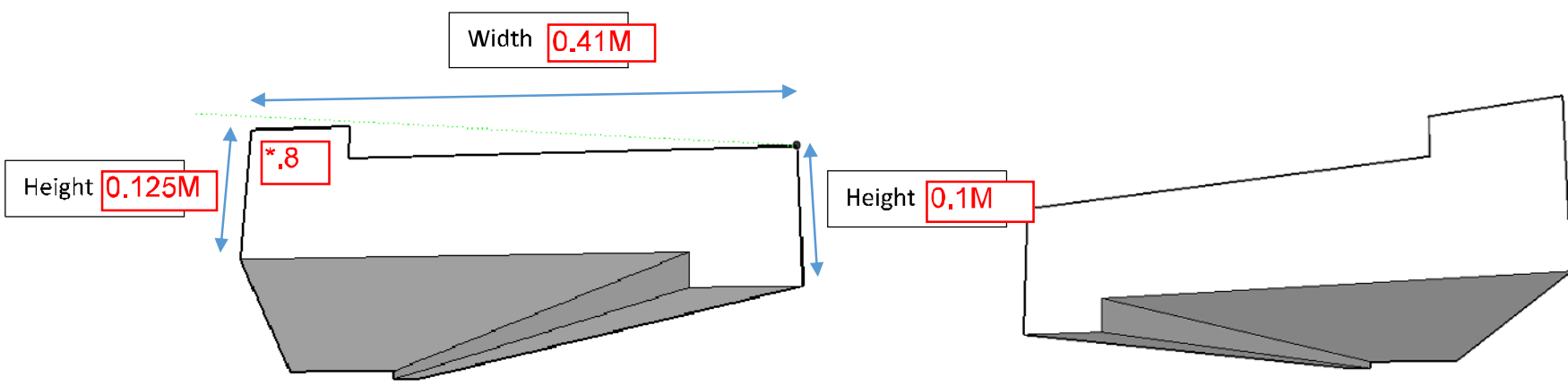
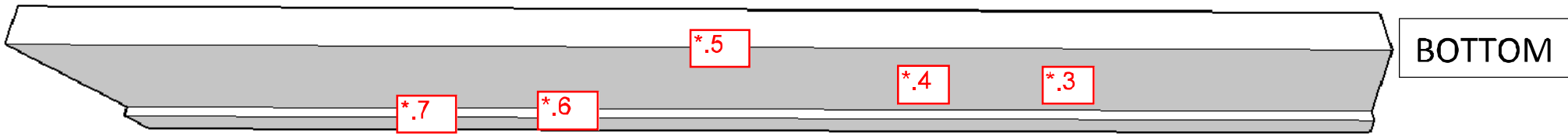
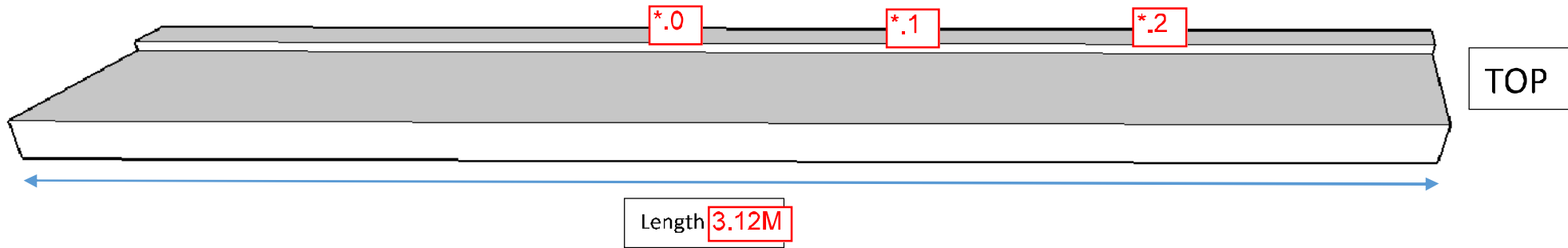
TREAD NO.   
TYPE.



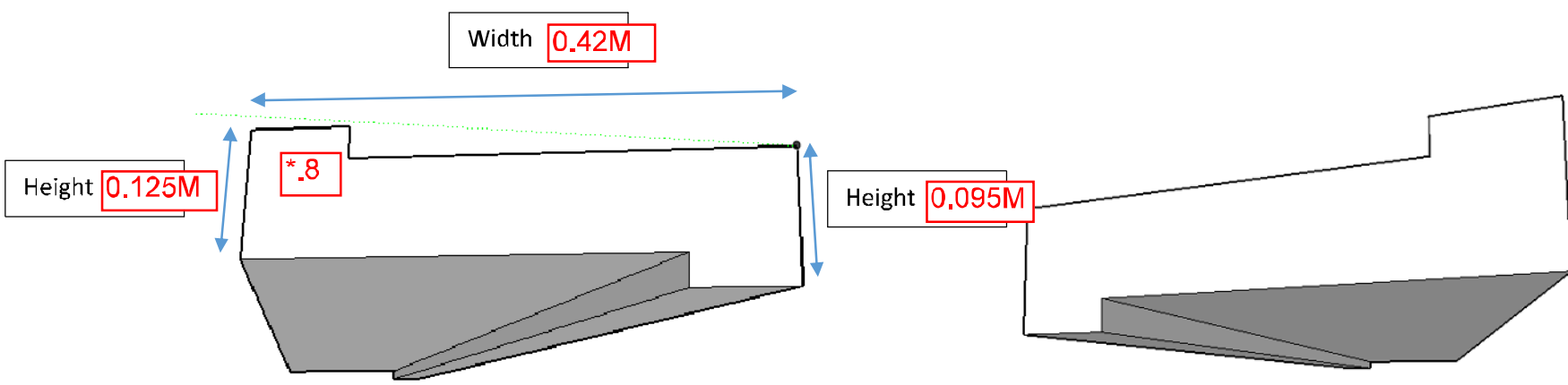
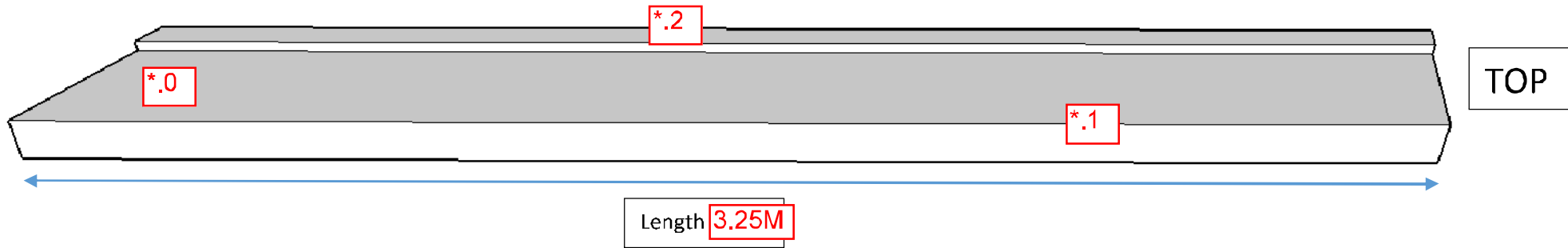
TREAD NO. **E4**  
TYPE. **M**



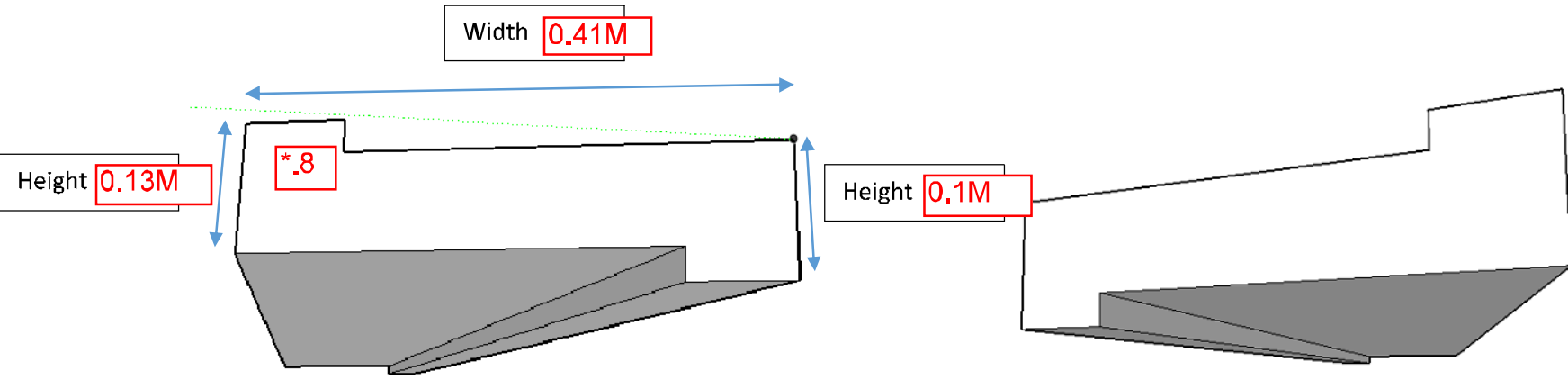
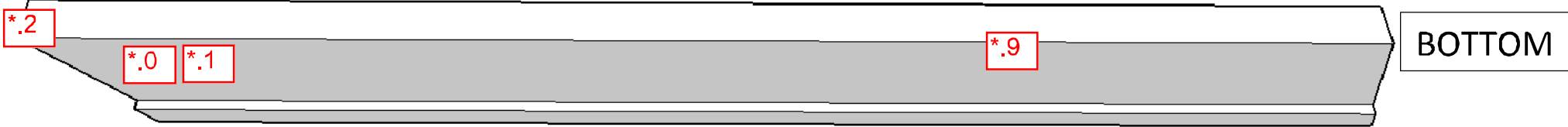
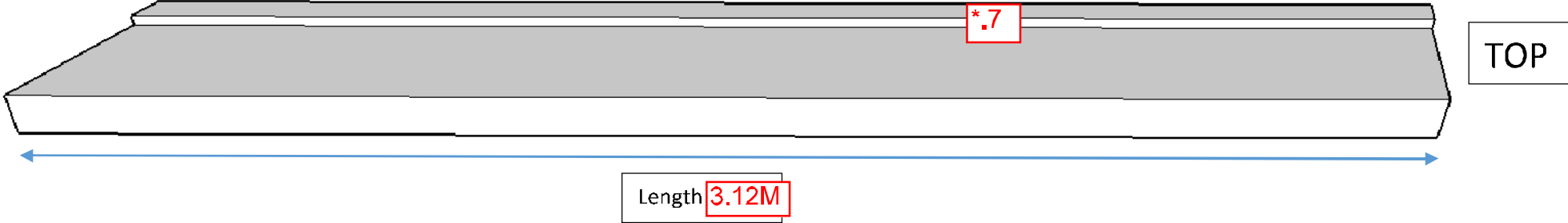
TREAD NO. **E5**  
TYPE. **H**



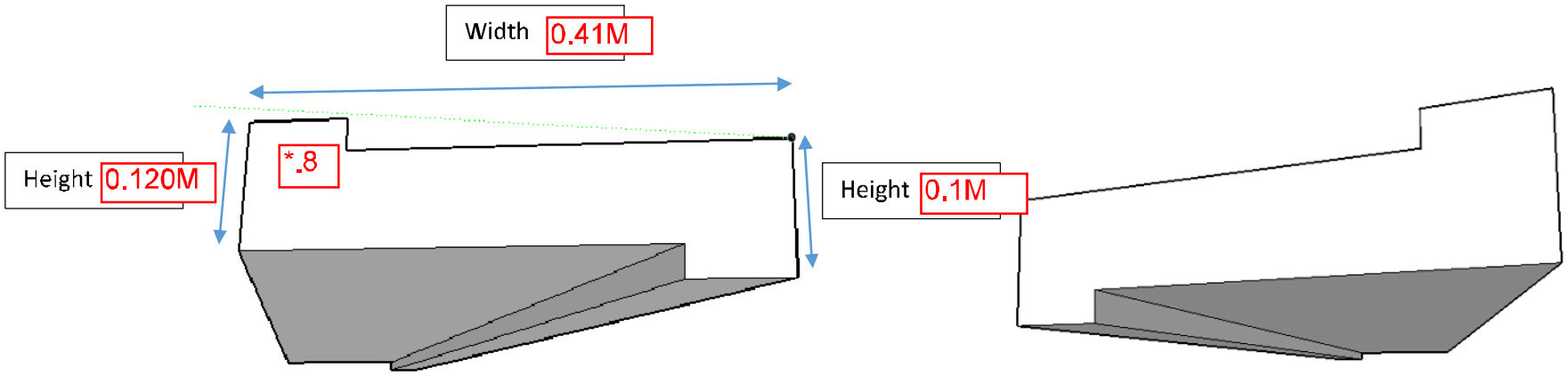
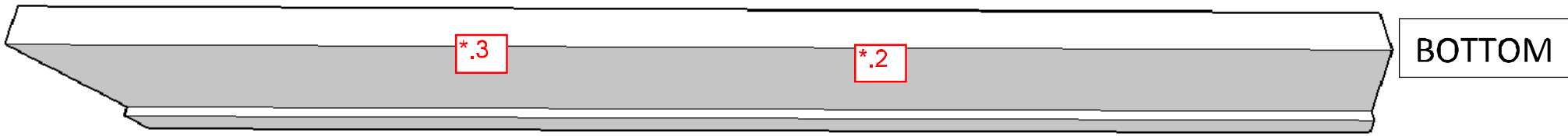
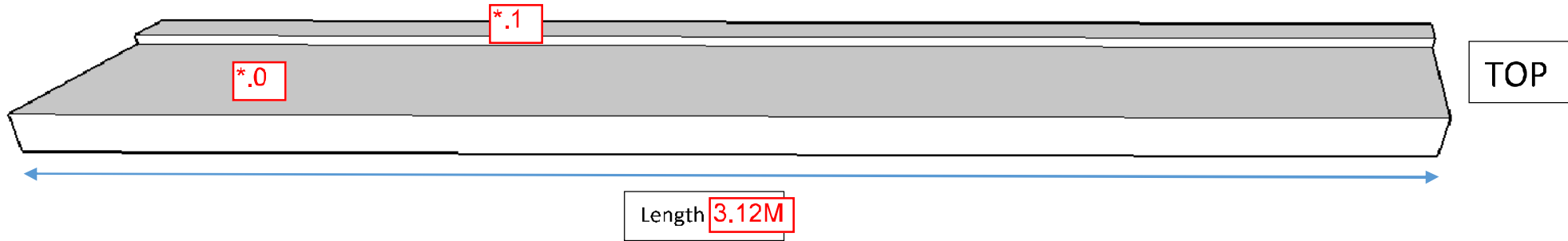
TREAD NO. **E7**  
TYPE. **H**



TREAD NO.   
TYPE.



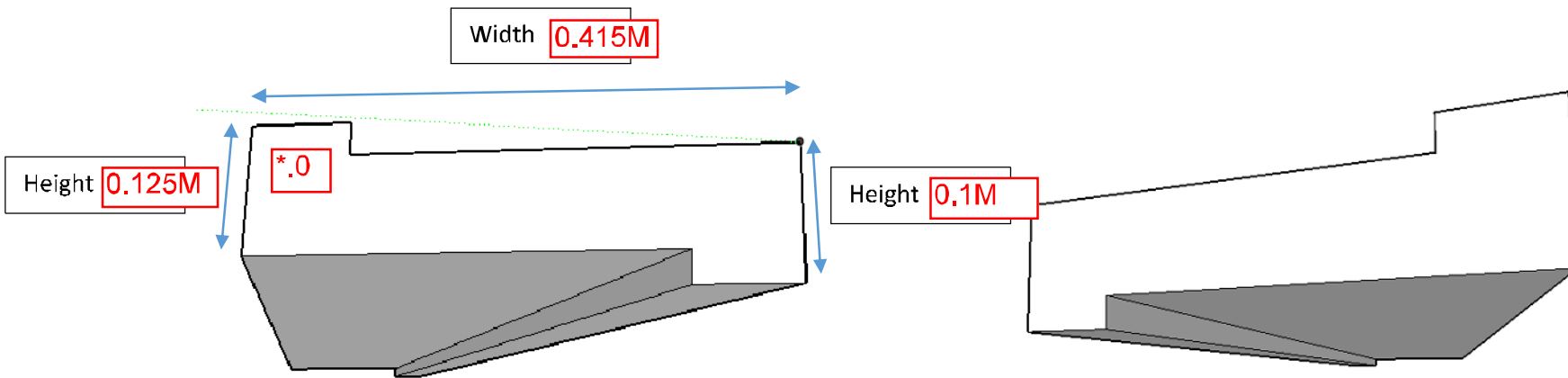
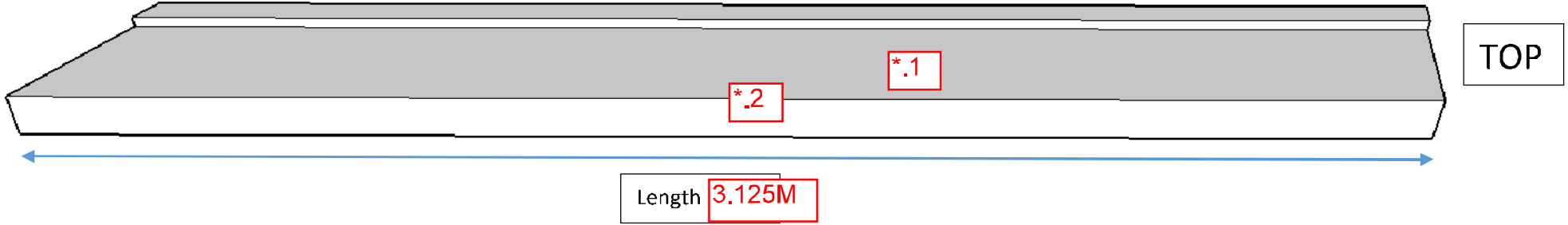
TREAD NO. **E10**  
TYPE. **H**





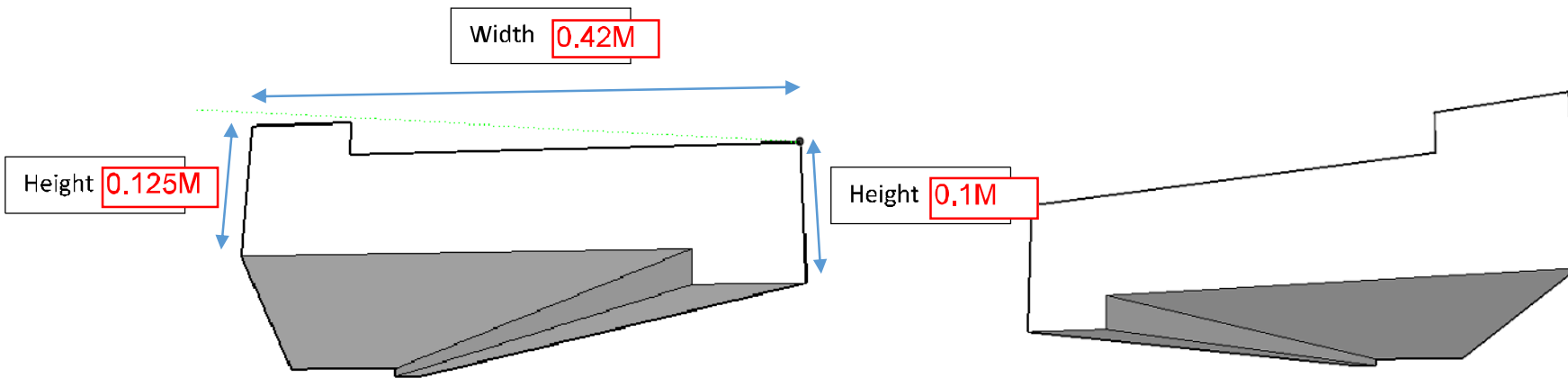
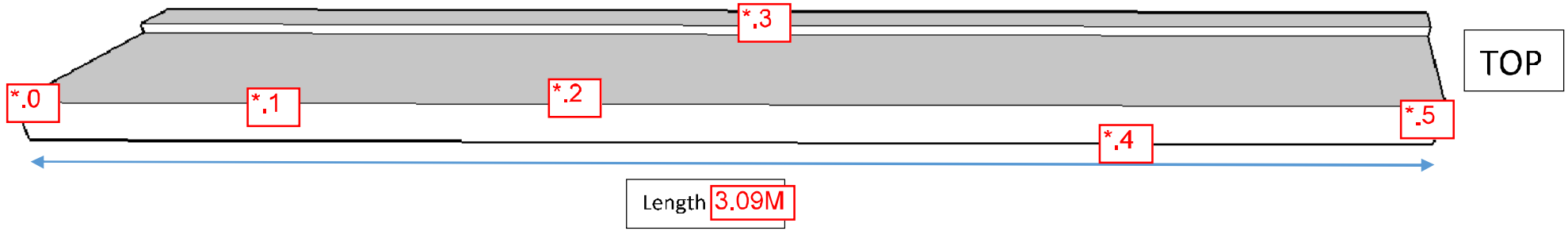
TREAD NO. **E11**

TYPE. **J**

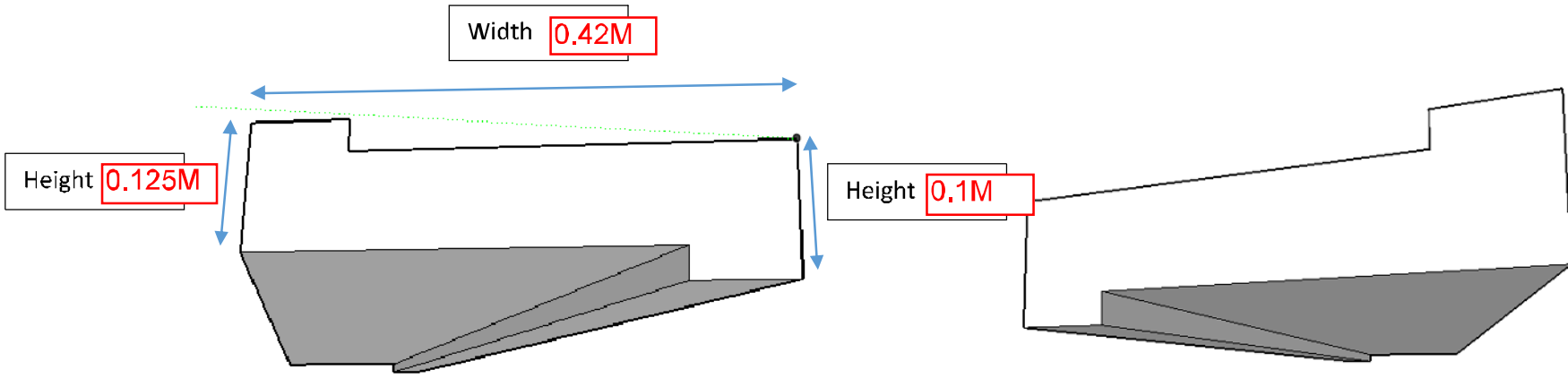
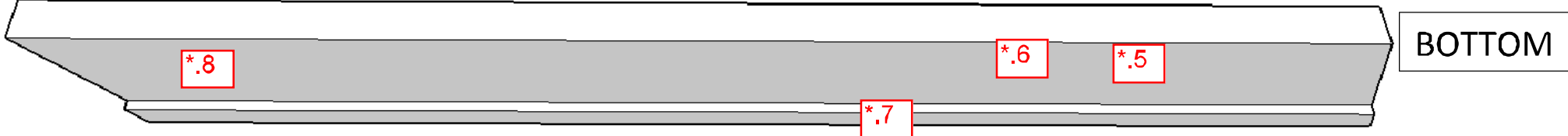
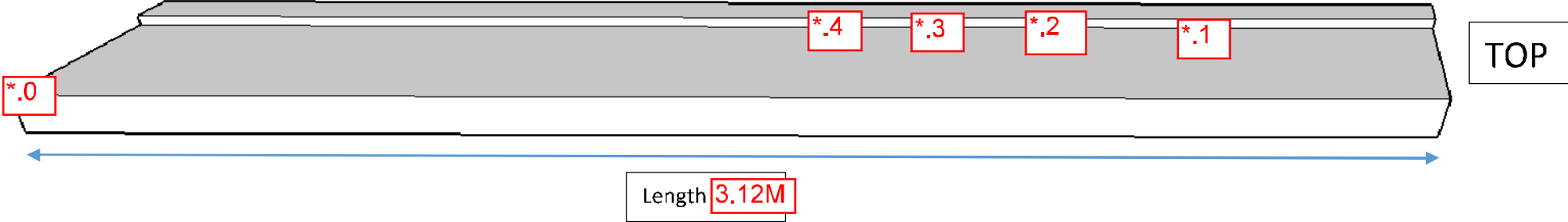


TREAD NO. E12

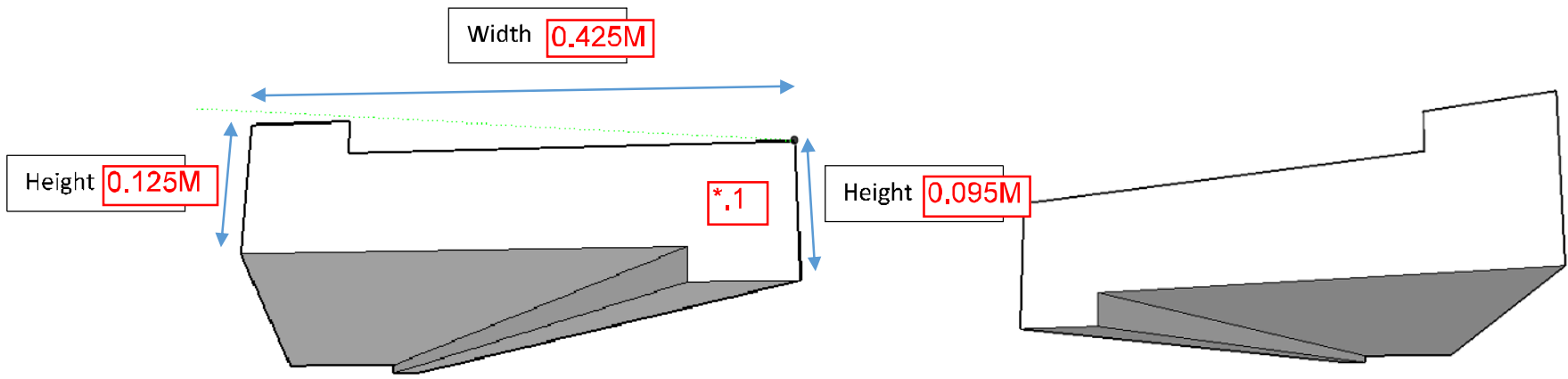
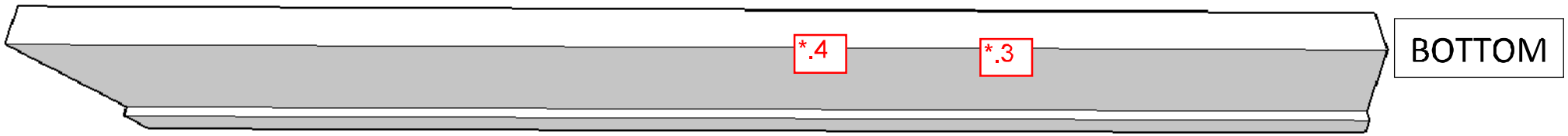
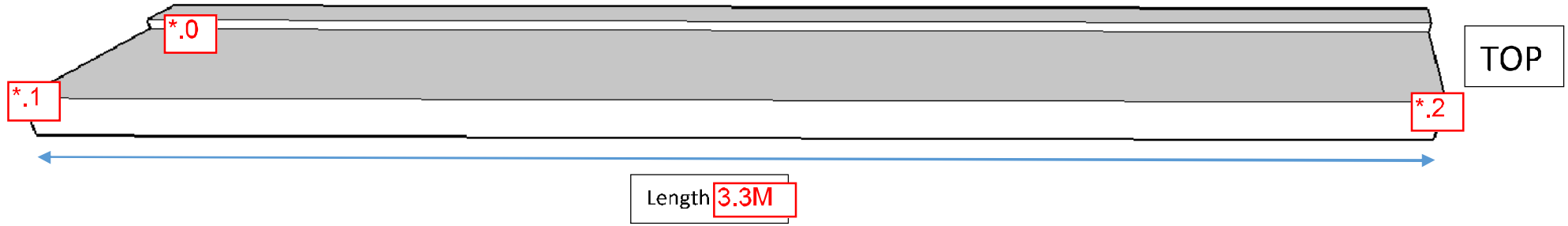
TYPE. G



TREAD NO. **E13**  
TYPE. **H**



TREAD NO. **E14**  
TYPE. **G**



TREAD NO. **E15**

TYPE. **K**

**\*.0**

TOP

Length **3.13M**

**\*.1**

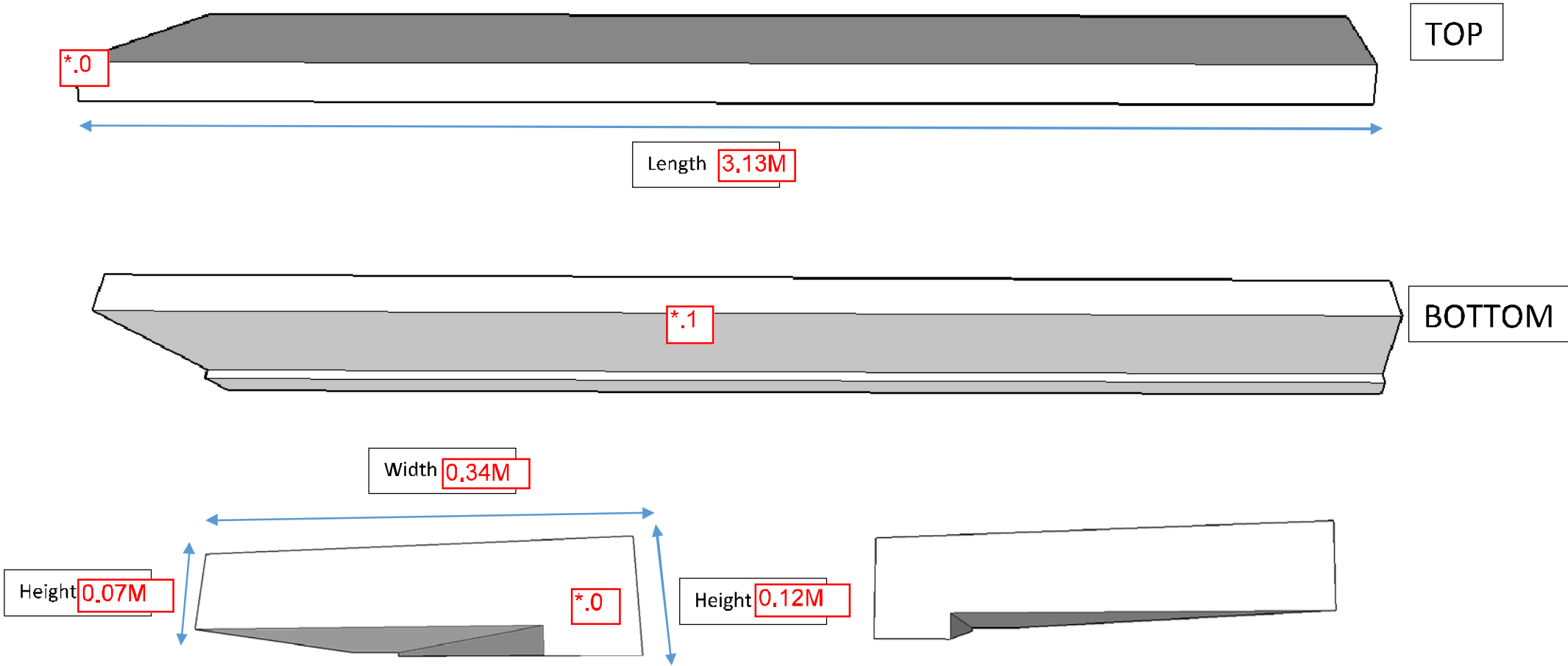
BOTTOM

Width **0,34M**

Height **0,07M**

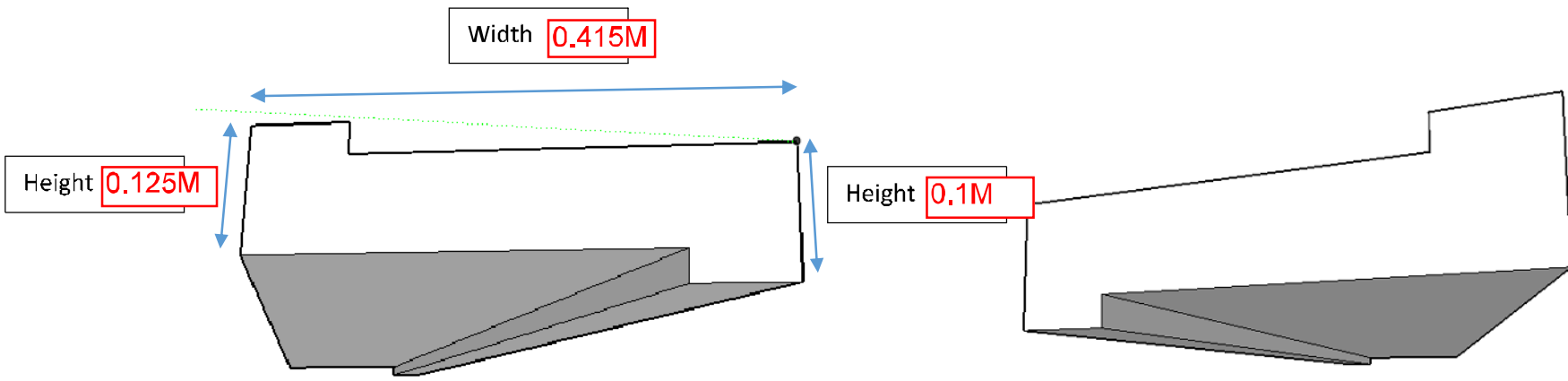
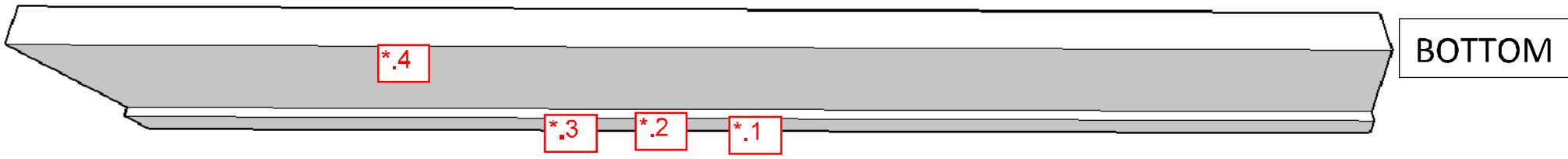
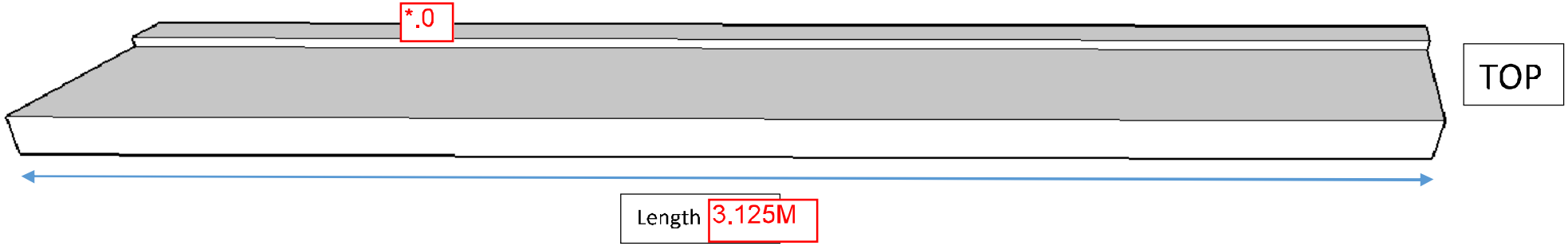
**\*.0**

Height **0,12M**

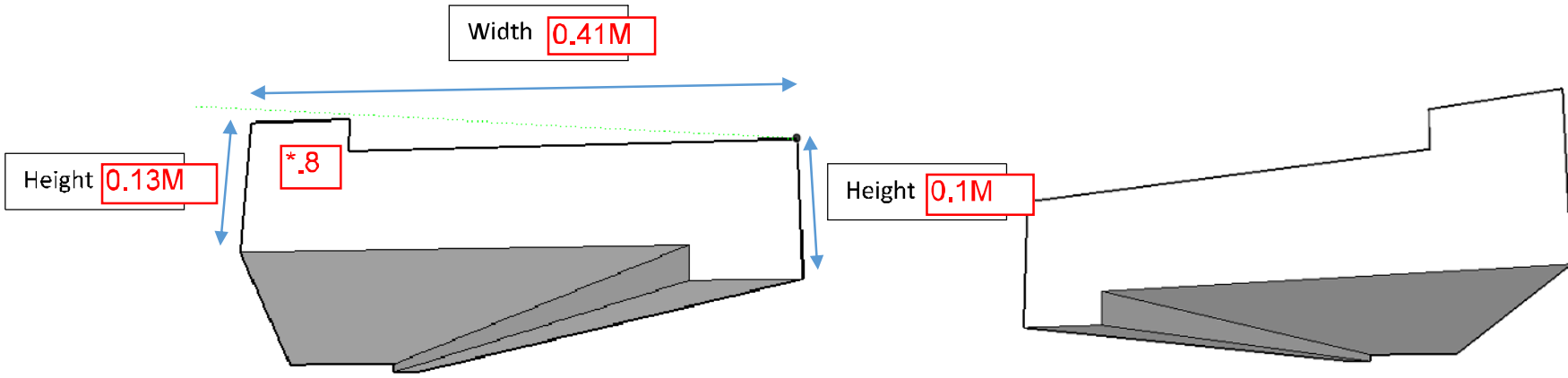
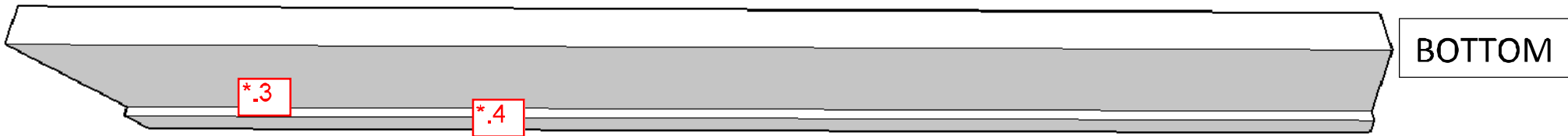
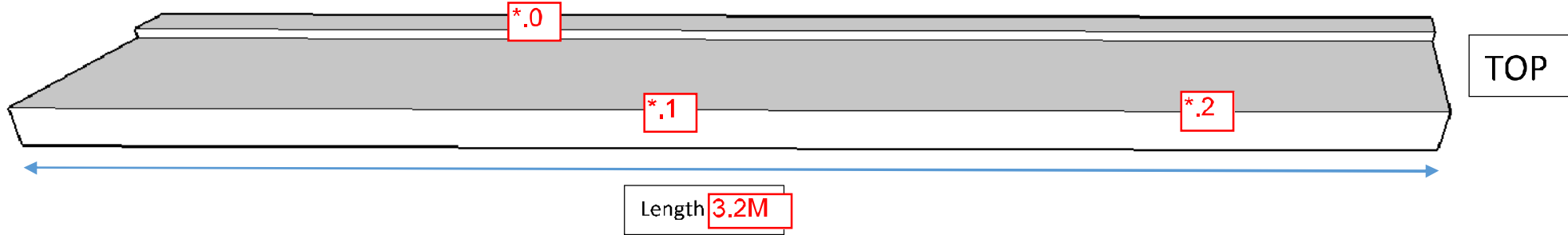


TREAD NO.

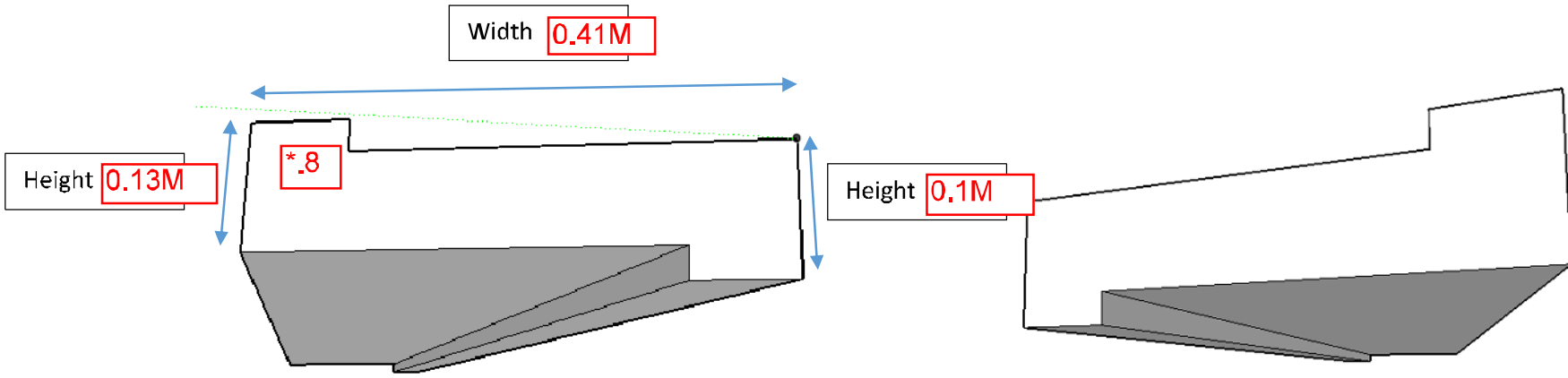
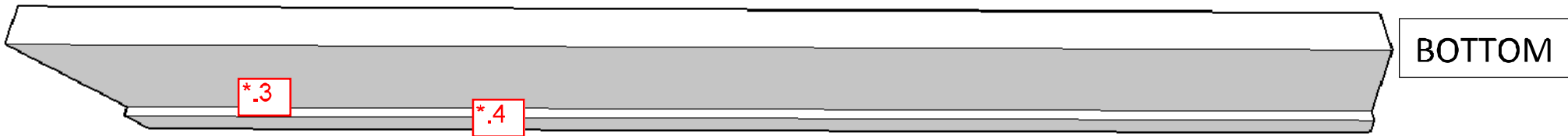
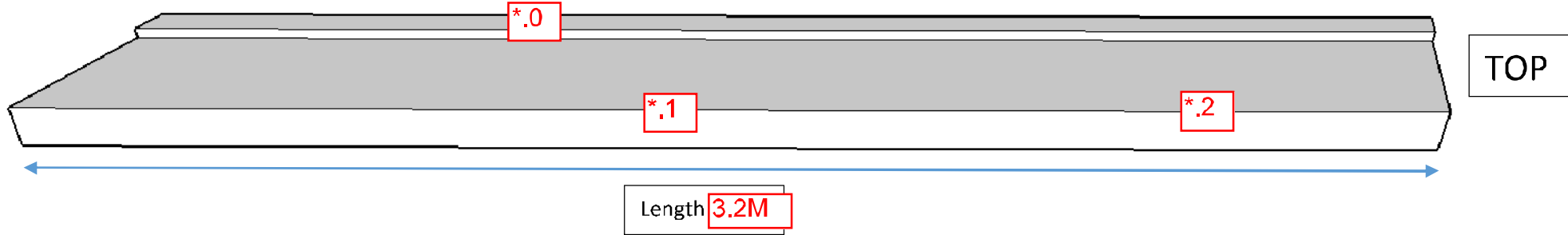
TYPE.



TREAD NO. **E17**  
TYPE. **H**

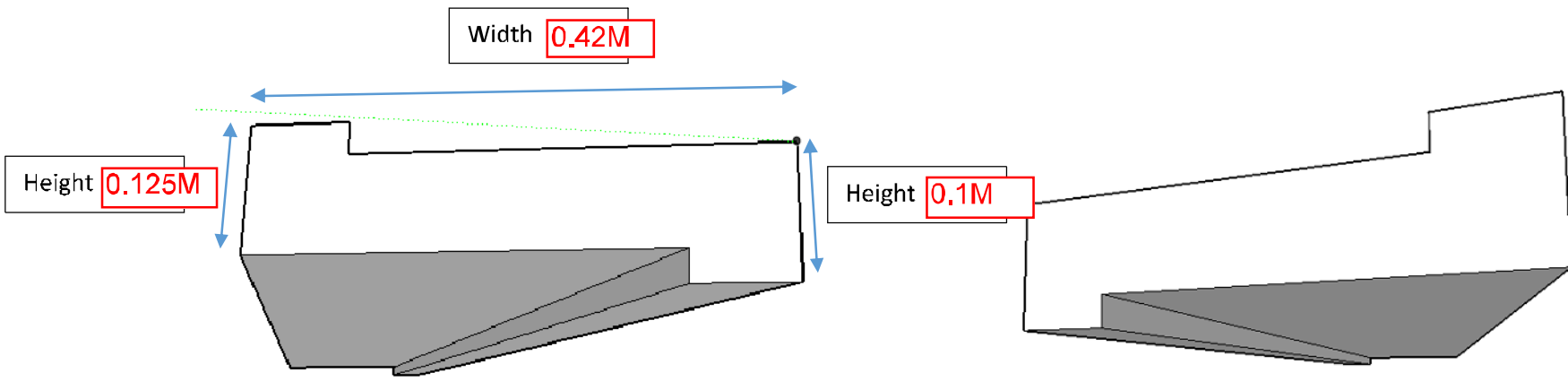
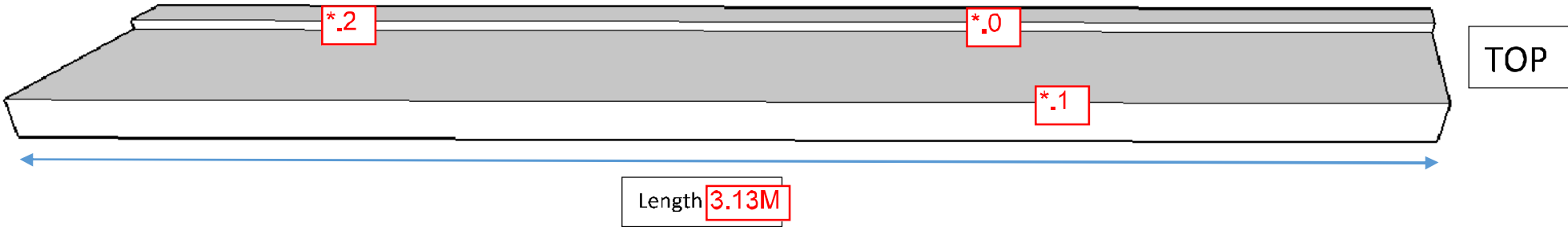


TREAD NO. **E17**  
TYPE. **H**

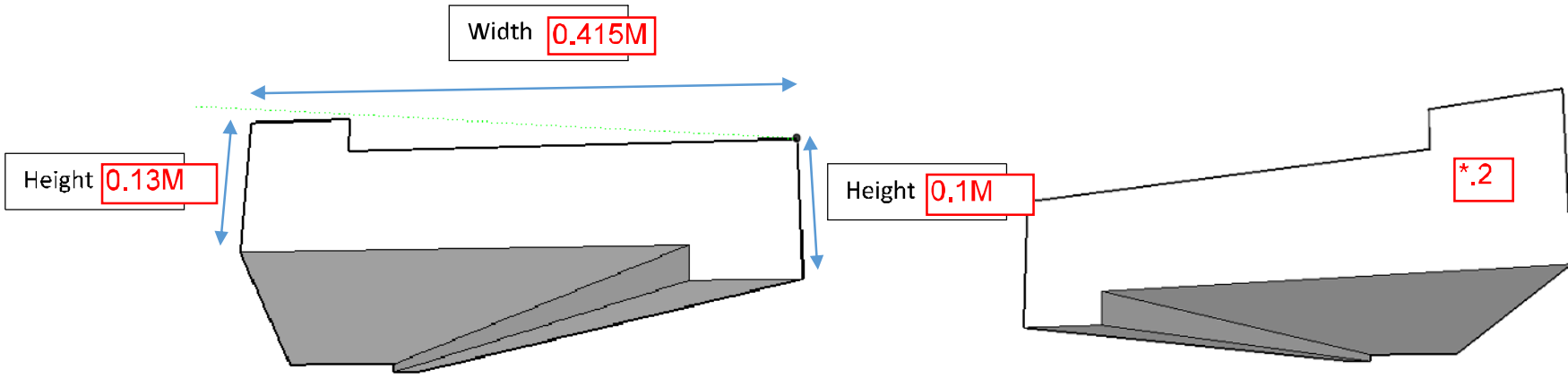
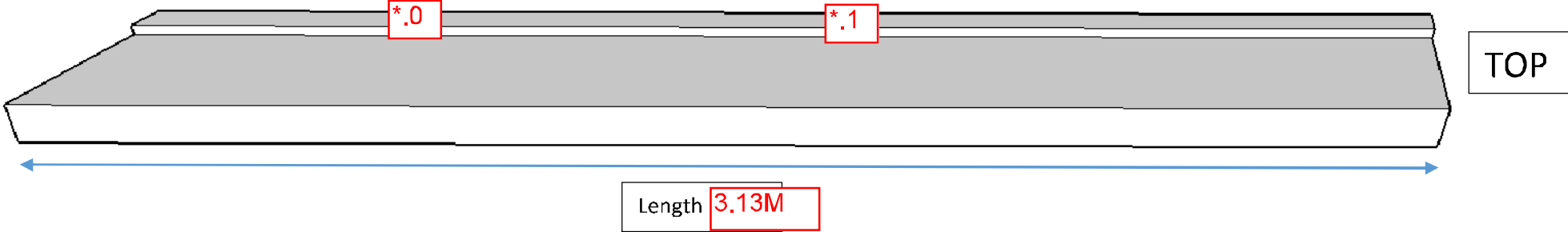




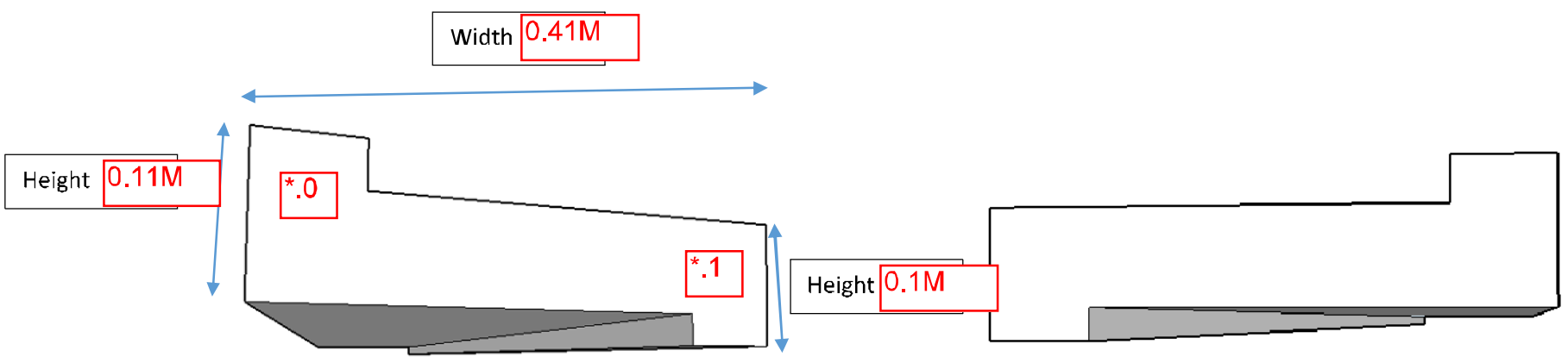
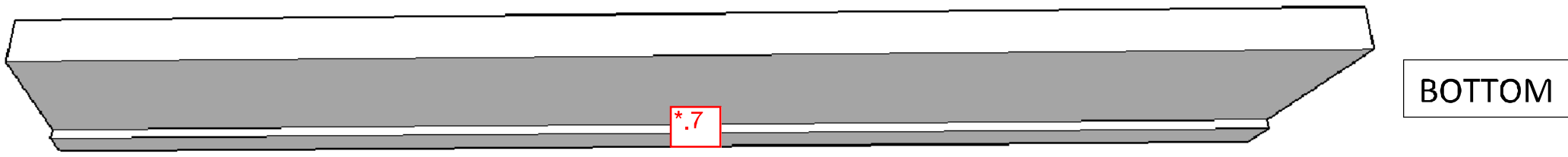
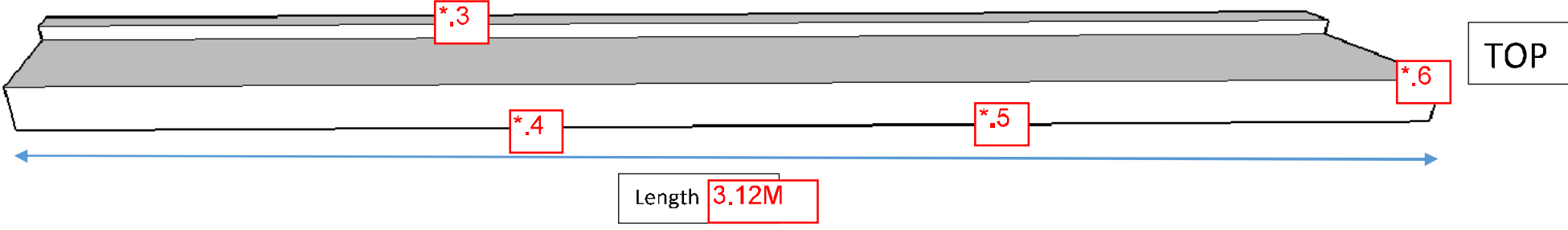
TREAD NO. **E18**  
TYPE. **H**



TREAD NO.   
TYPE.

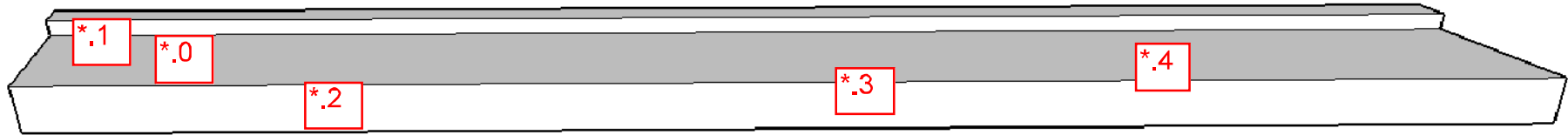


TREAD NO. **W3**  
TYPE. **B**



TREAD NO. **W6**

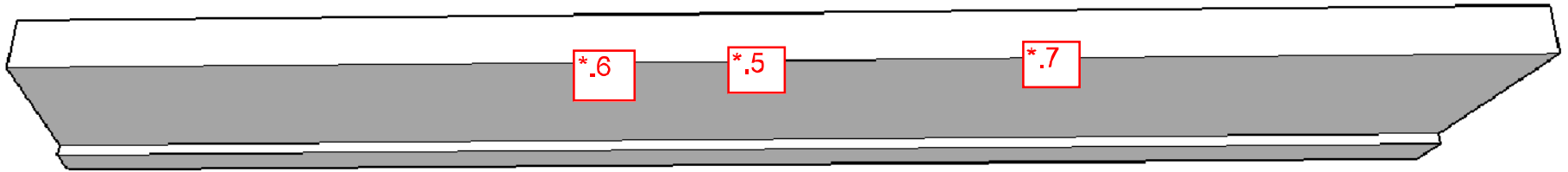
TYPE. **B**



TOP



Length **3.2M**

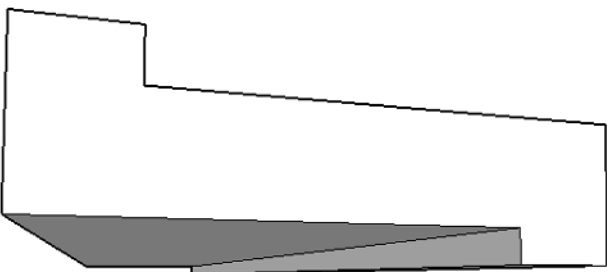


BOTTOM

Width **0.41M**



Height **0.11M**

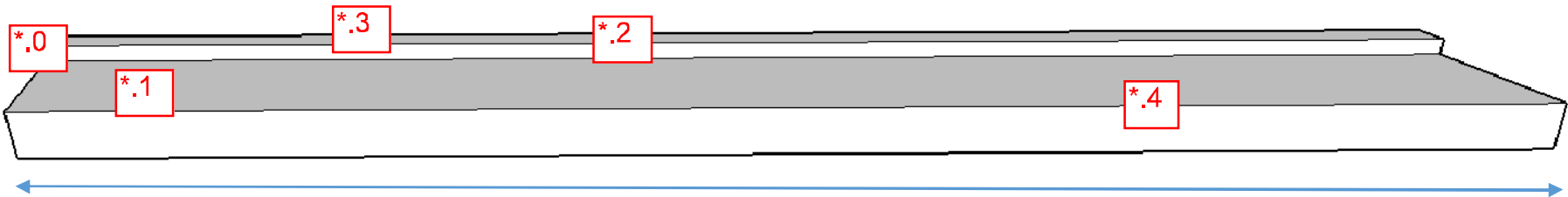


Height **0.1M**



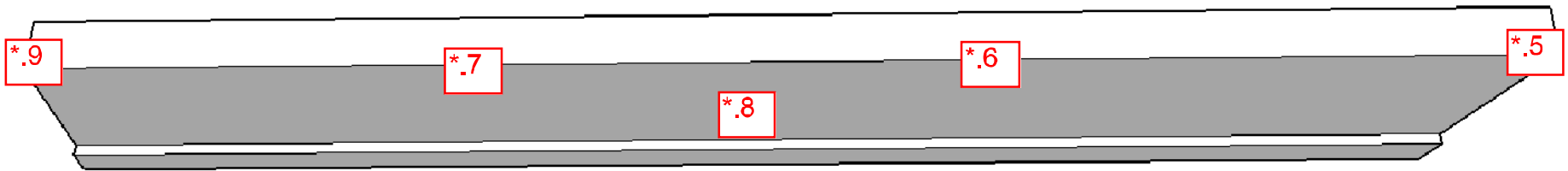
TREAD NO. **W7**

TYPE. **C**



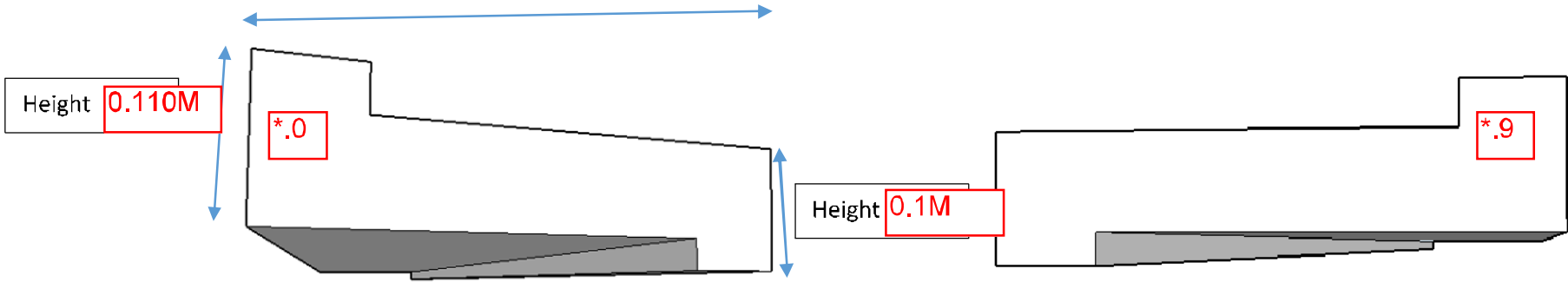
TOP

Length **3.125M**



BOTTOM

Width **0.4125M**

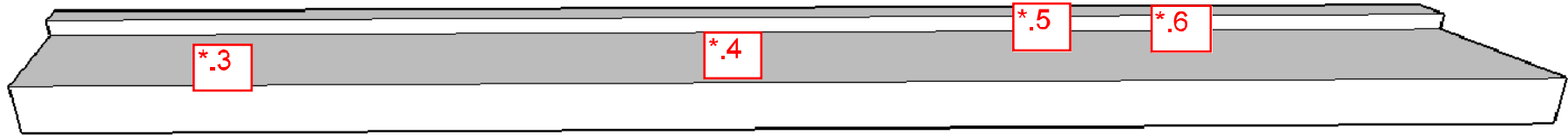


Height **0.110M**

Height **0.1M**

TREAD NO. **W9**

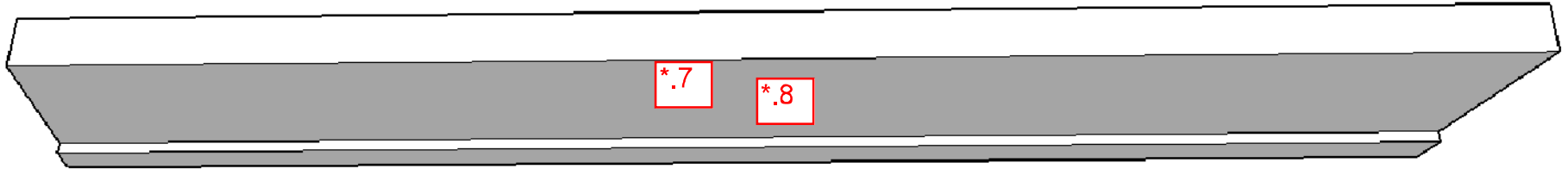
TYPE. **C**



TOP



Length **3.12M**

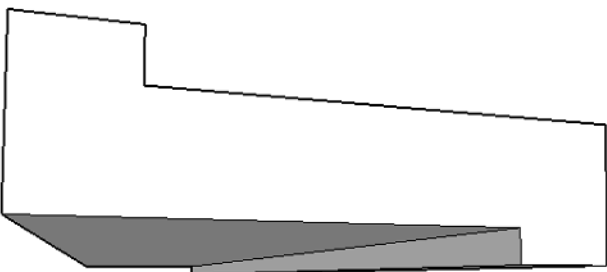


BOTTOM

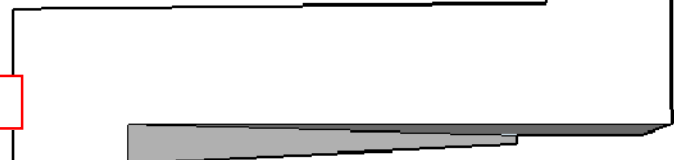
Width **0.415M**



Height **0.115M**

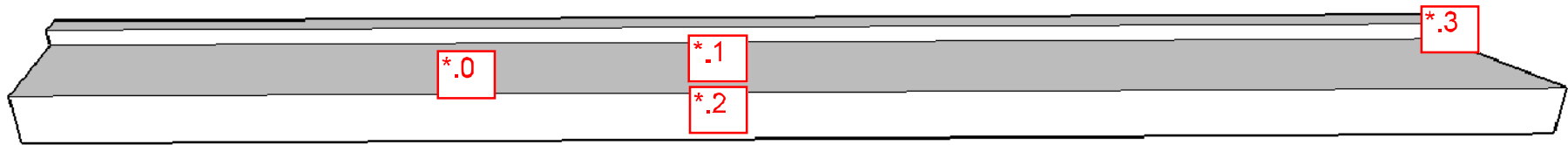


Height **0.105M**



TREAD NO. **W10**

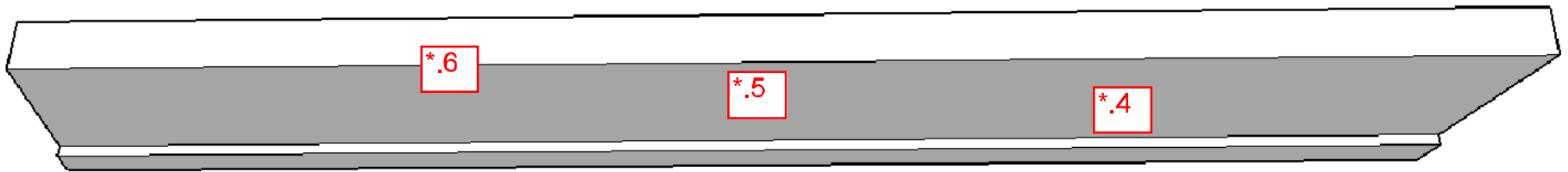
TYPE. **A**



TOP



Length **3.20M**

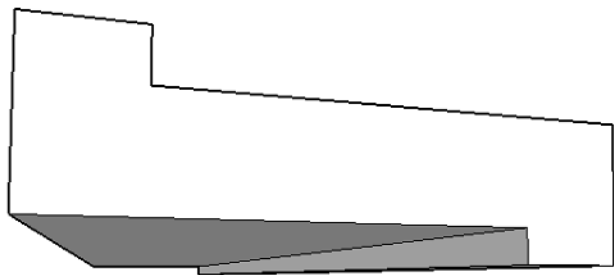


BOTTOM

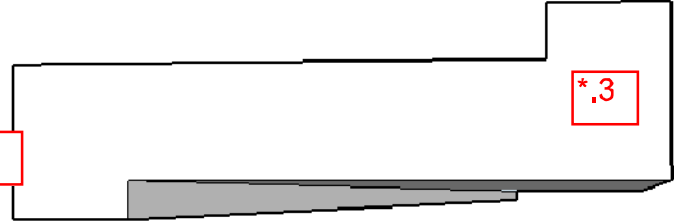
Width **0.41M**



Height **0.115M**

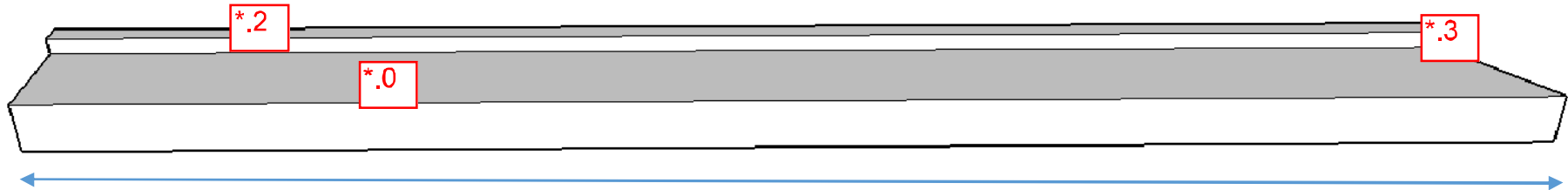


Height **0.105M**

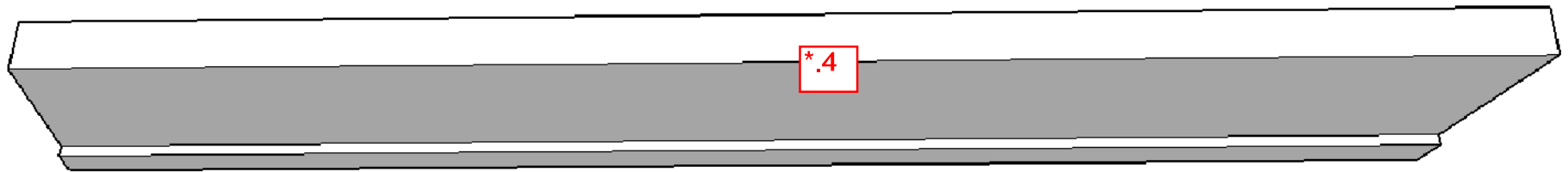


TREAD NO. **W11**

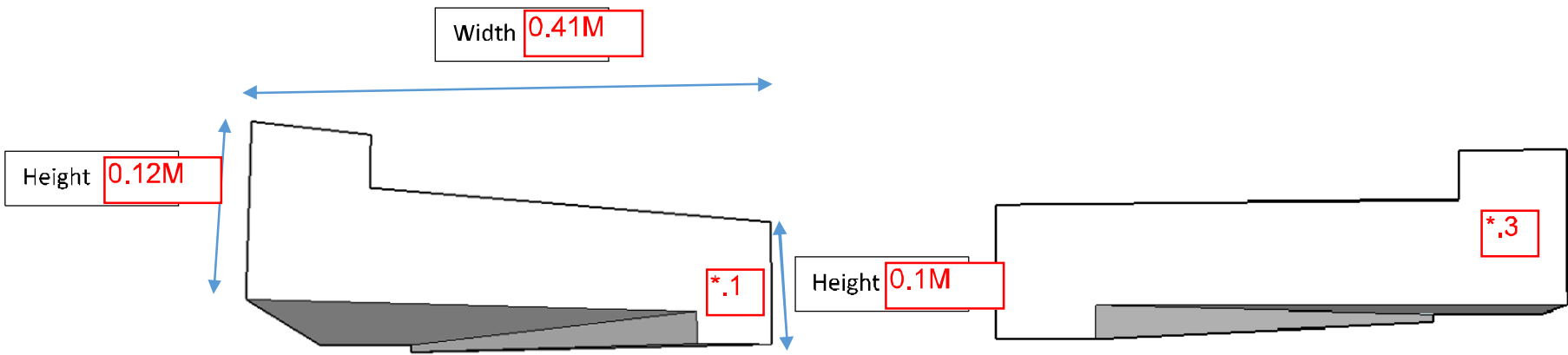
TYPE. **A**



TOP



BOTTOM



Height **0.12M**

Width **0.41M**

Height **0.1M**

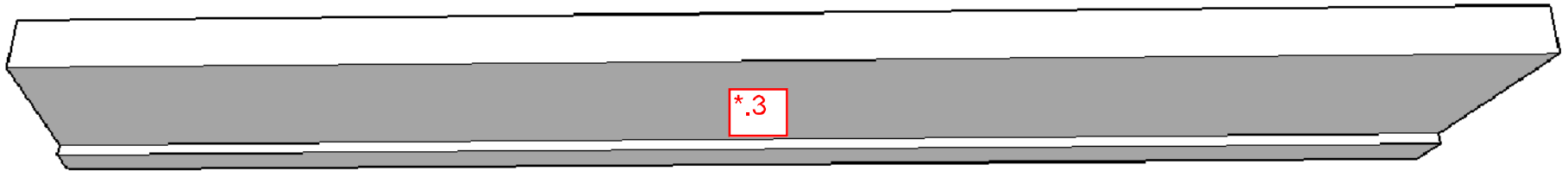


TREAD NO. **W12**

TYPE. **D**

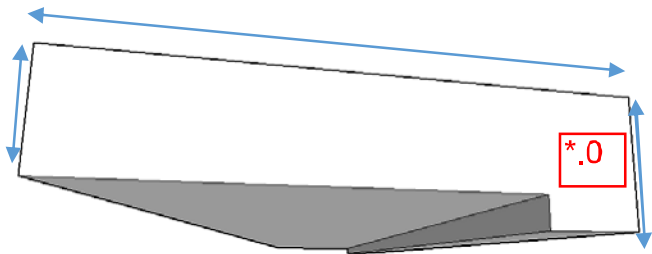


Length **3.125M**

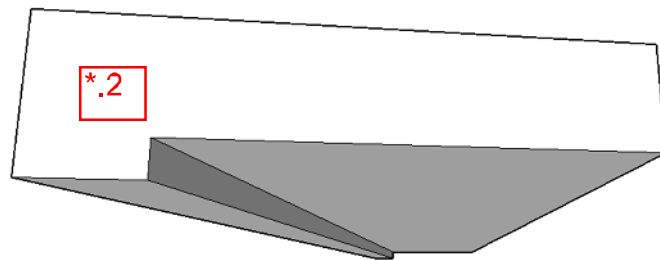


Width **0.33M**

Height **0.07M**

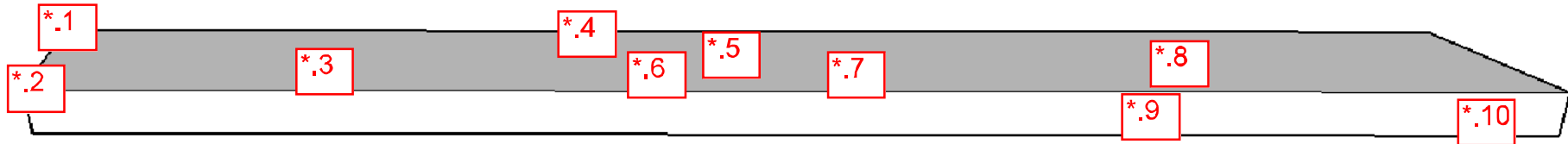


Height **0.105M**



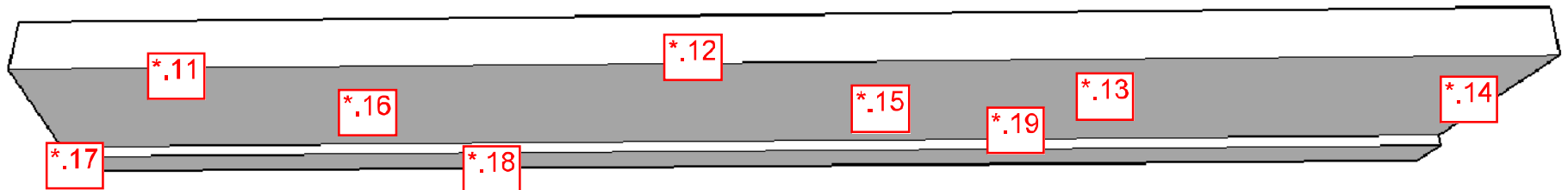
TREAD NO. **W13**

TYPE. **D**



TOP

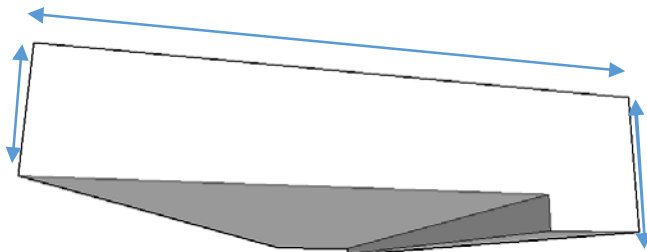
Length **3.125M**



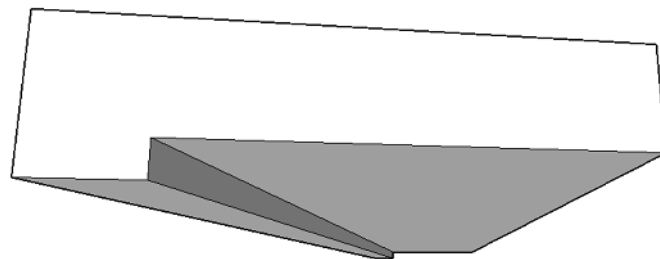
BOTTOM

Width **0.33M**

Height **0.07M**

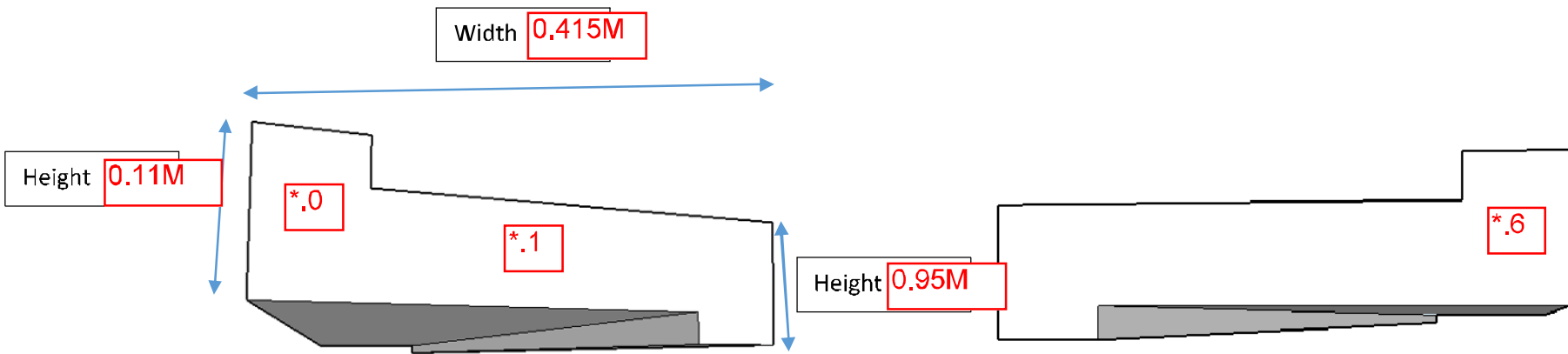
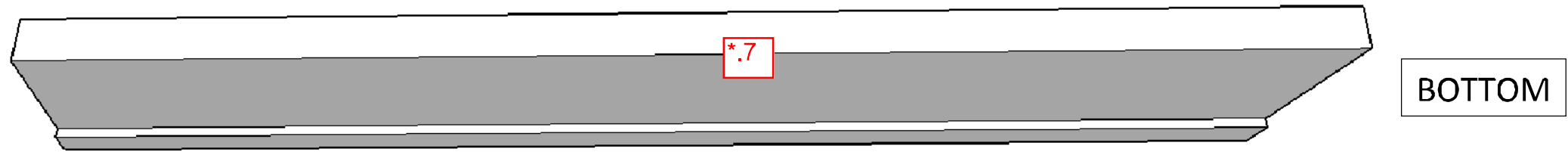
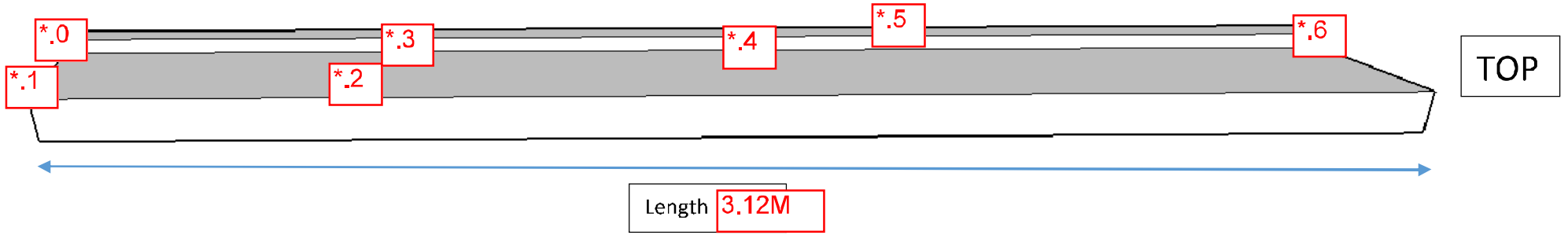


Height **0.105M**



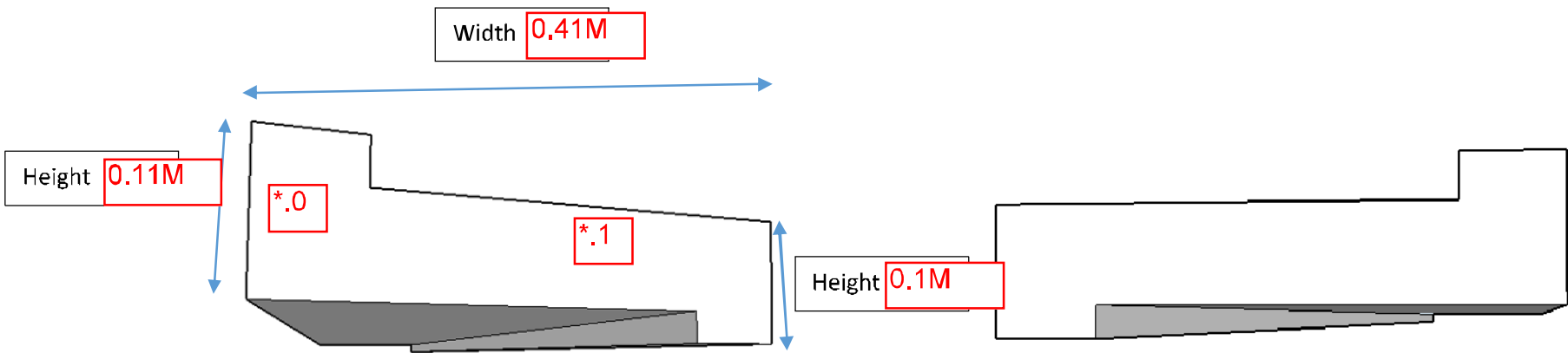
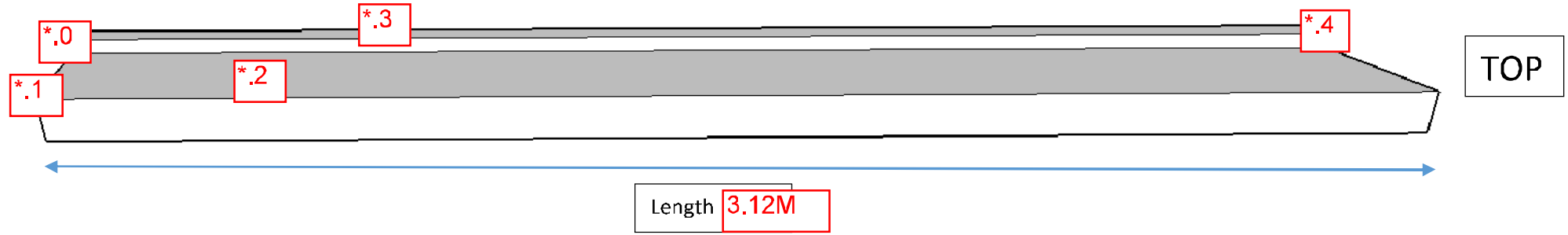
TREAD NO. **W14**

TYPE. **C**



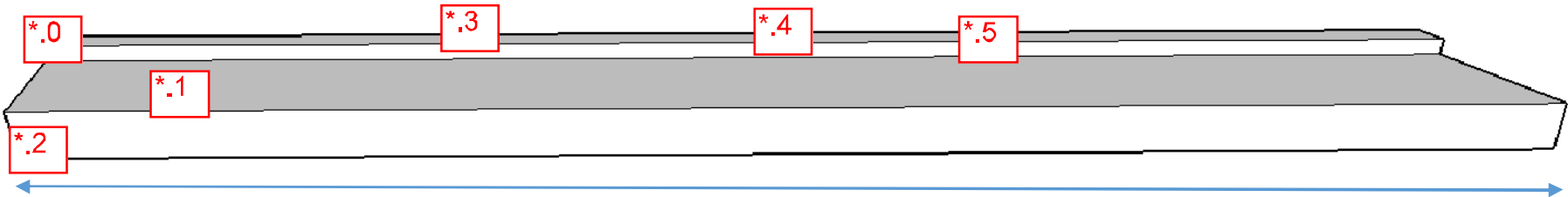
TREAD NO. **W15**

TYPE. **B**



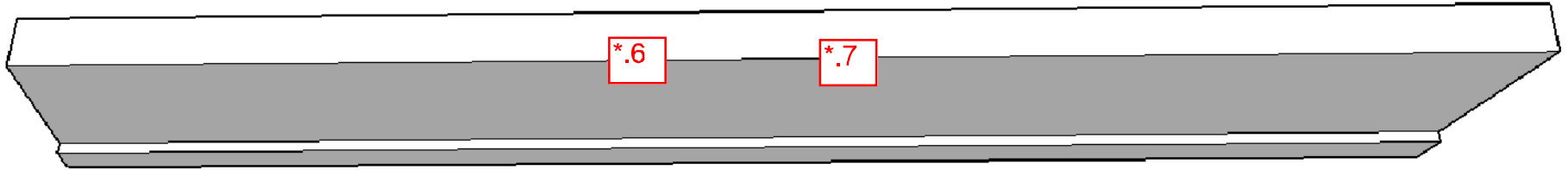
TREAD NO. **W16**

TYPE. **B**



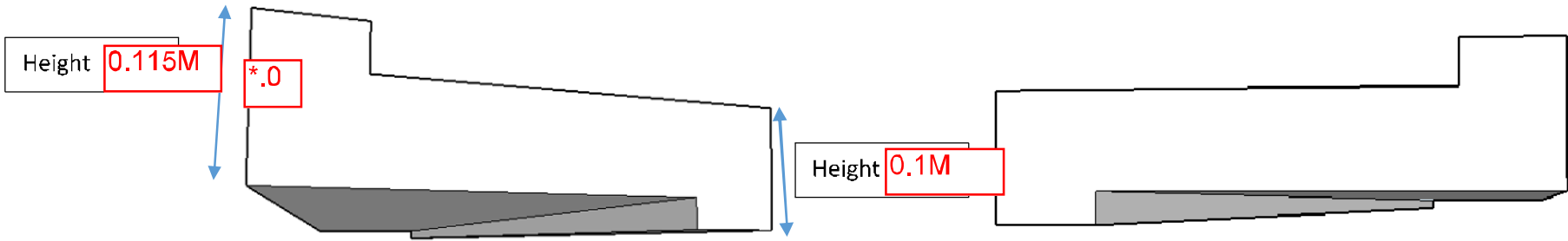
TOP

Length **3.12M**



BOTTOM

Width **0.415M**

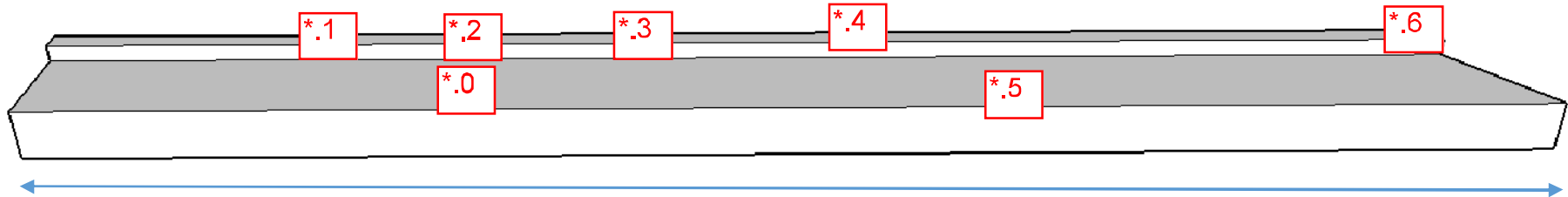


Height **0.115M**

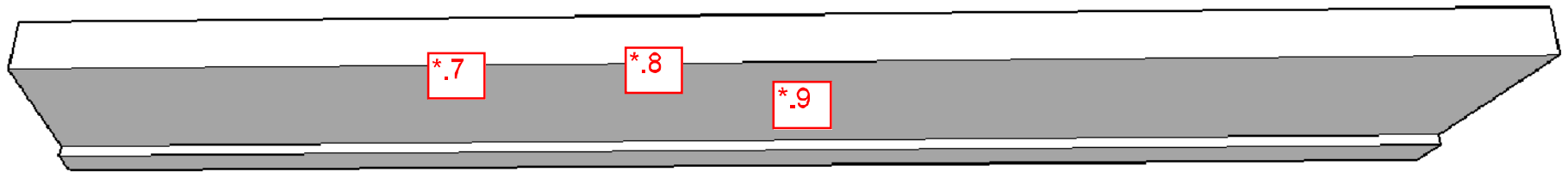
Height **0.1M**

TREAD NO. **W17**

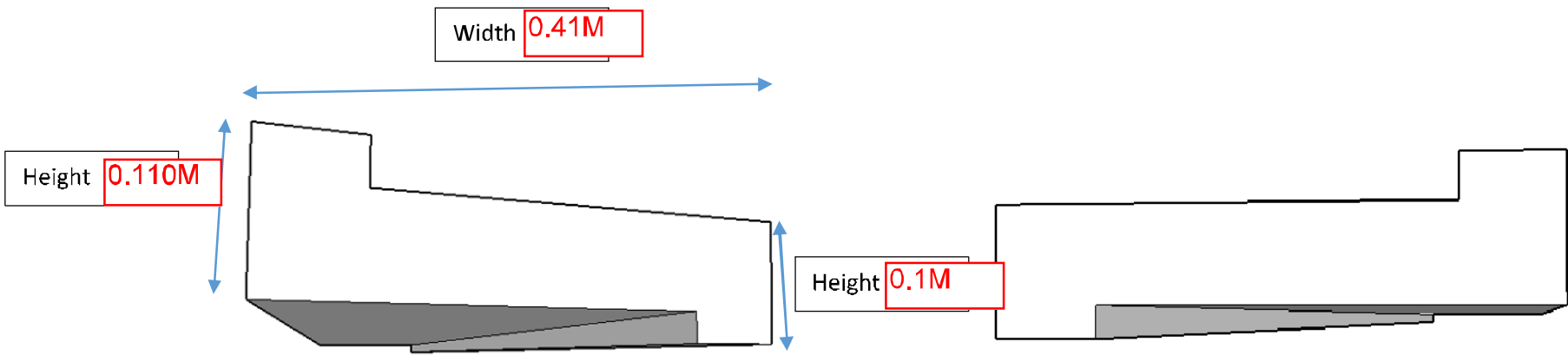
TYPE. **B**



TOP

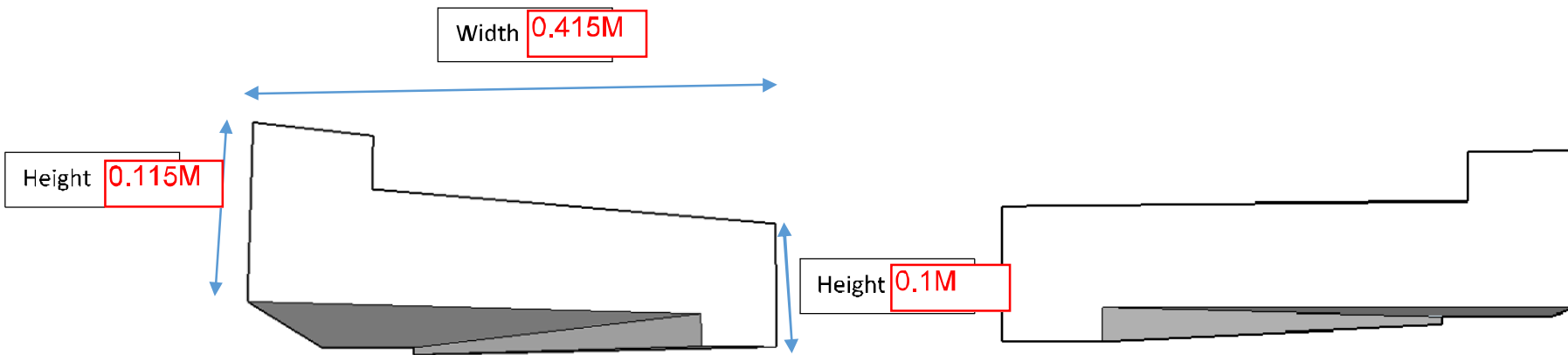
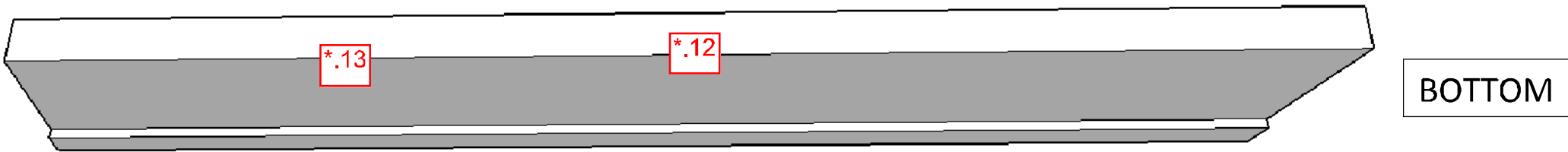
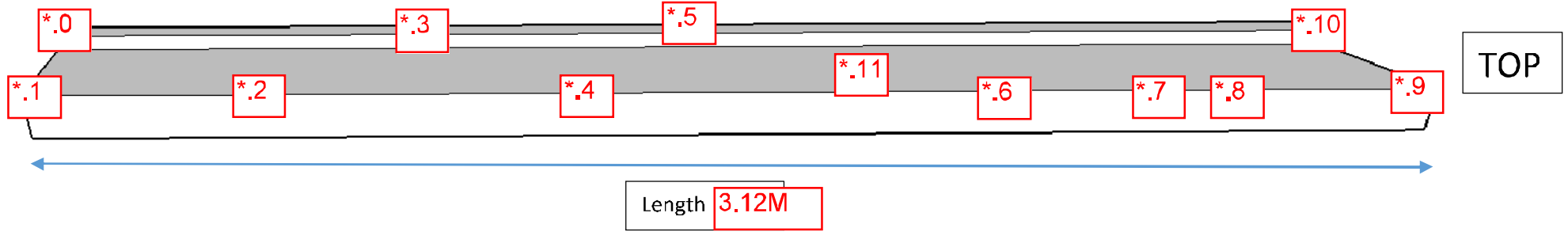


BOTTOM



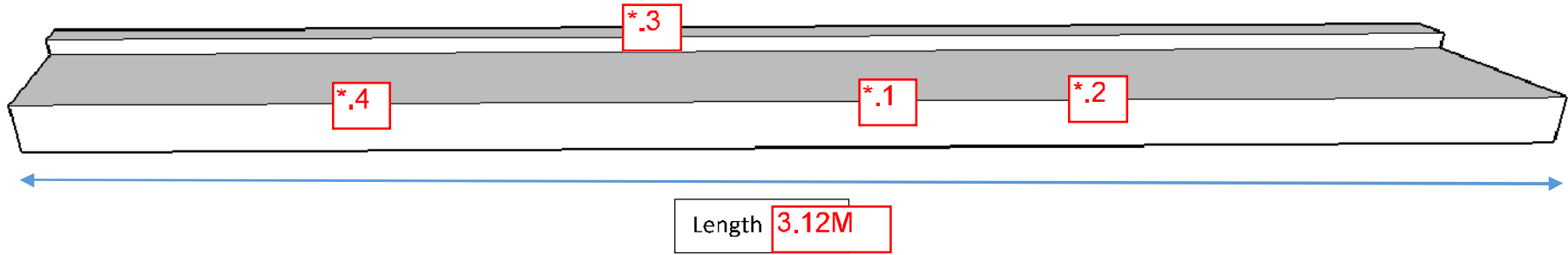
TREAD NO. **W18**

TYPE. **B**



TREAD NO. **W19**

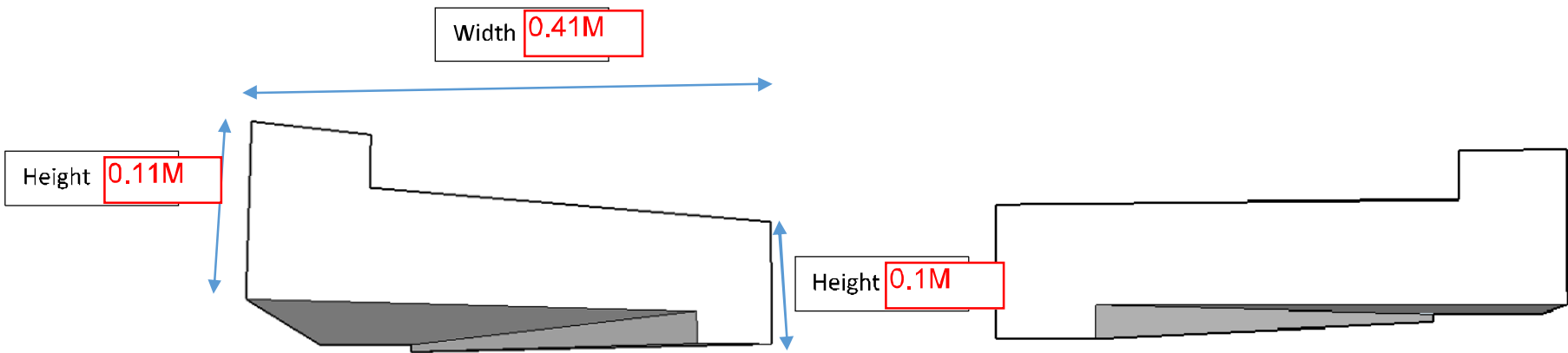
TYPE. **B**



TOP



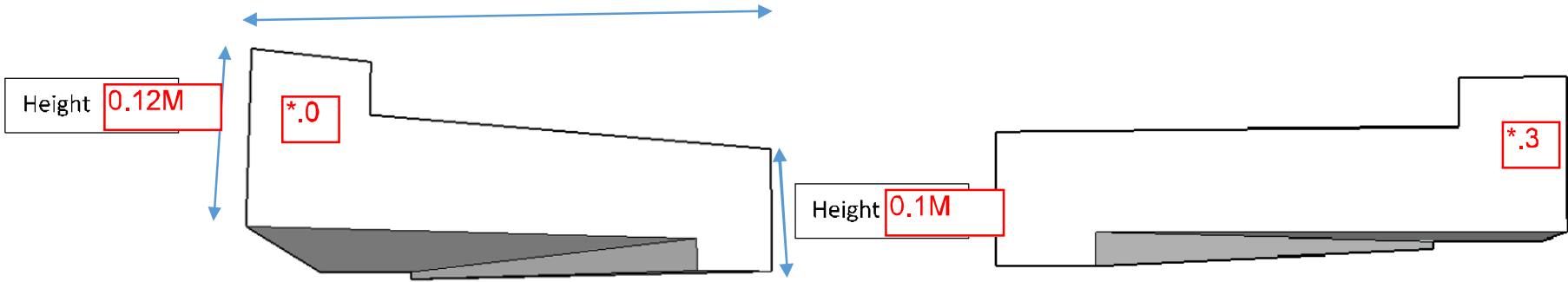
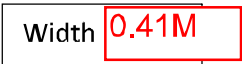
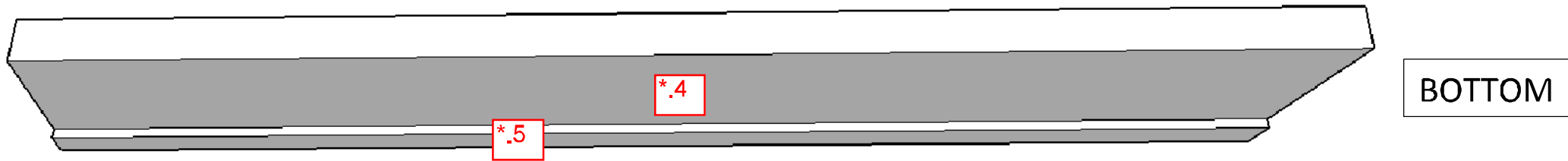
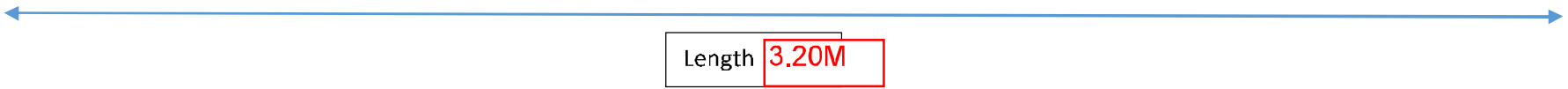
BOTTOM





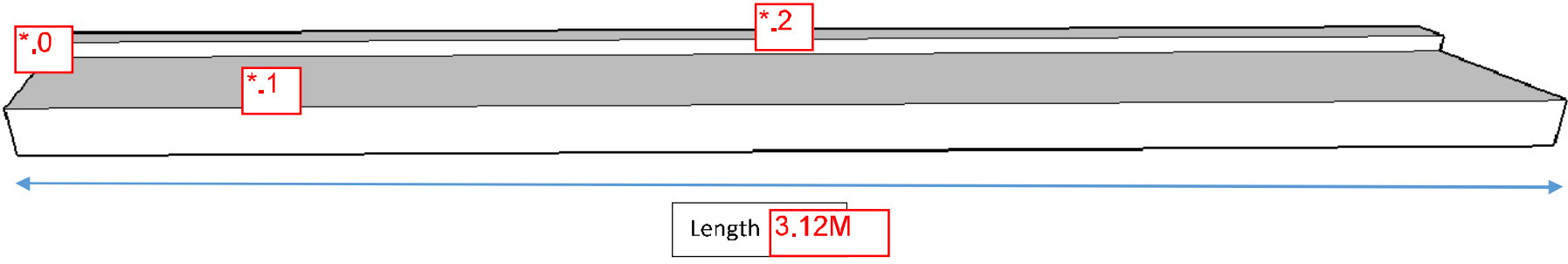
TREAD NO. **W20**

TYPE. **A**

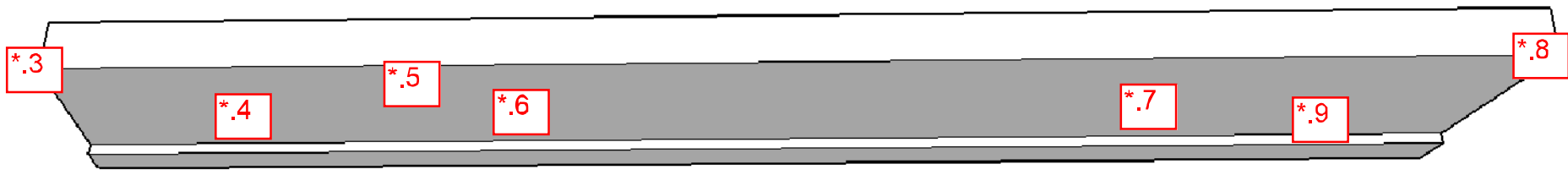


TREAD NO. **W21**

TYPE. **C**



TOP



BOTTOM

