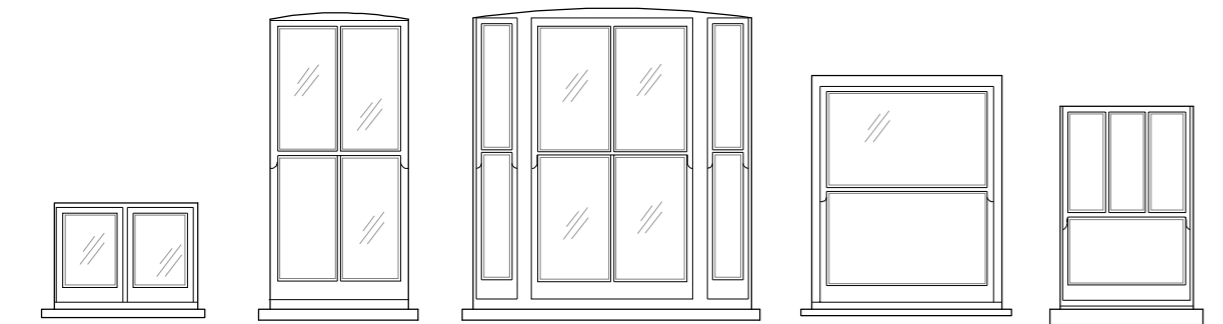
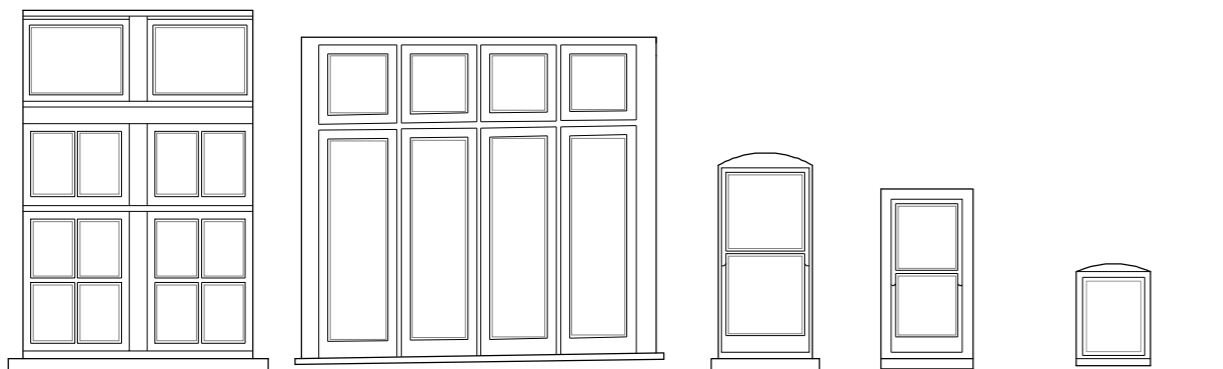


WT-1 Timber Frame / Sash HT-1	WT-2 Timber Frame / Sash HT-2	WT-3 Timber Frame / Casement N/A	WT-4 Timber Frame / Casement N/A
-------------------------------------	-------------------------------------	--	--



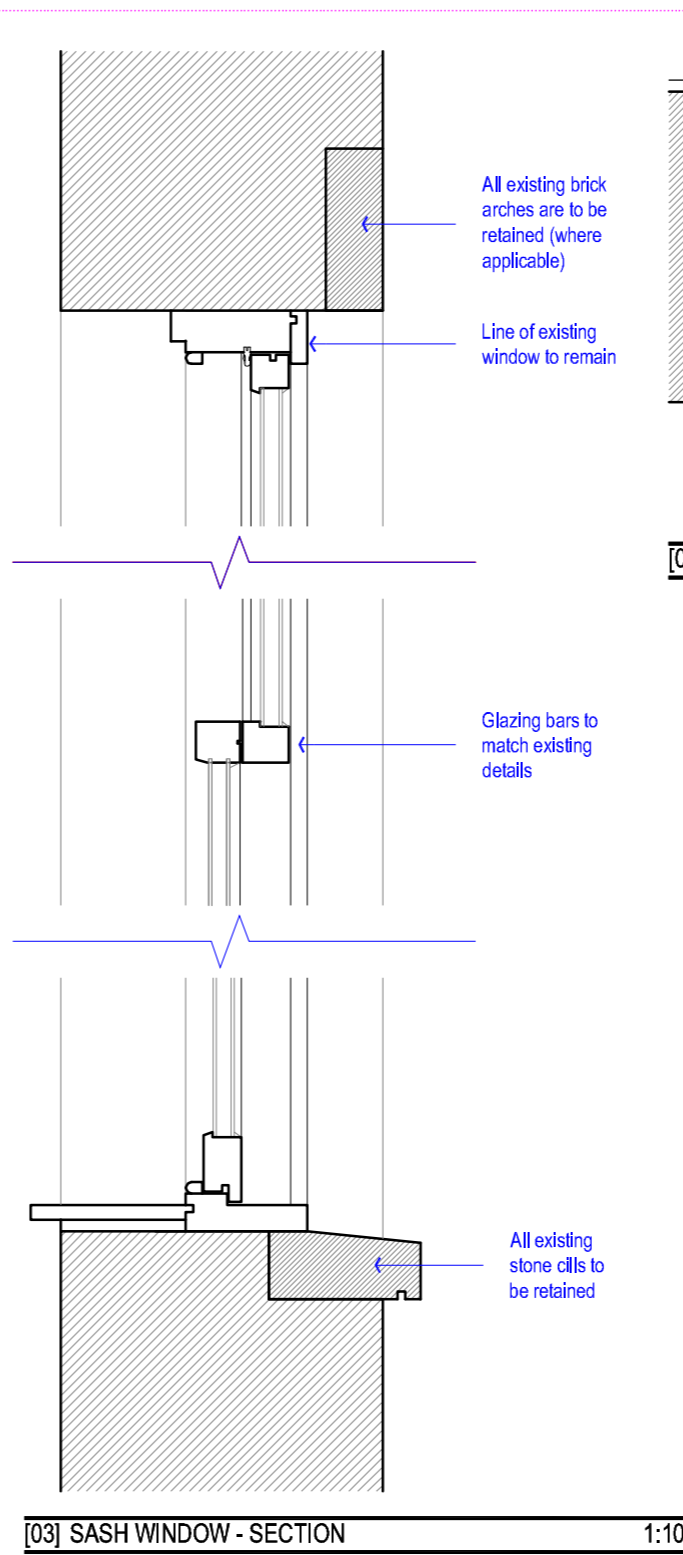
WT-5 Timber Frame / Casement N/A	WT-6 Timber Frame / Sash HT-2	WT-7 Timber Frame / Sash HT-2	WT-8 Timber Frame / Sash HT-2	WT-9 Timber Frame / Sash HT-3
--	-------------------------------------	-------------------------------------	-------------------------------------	-------------------------------------



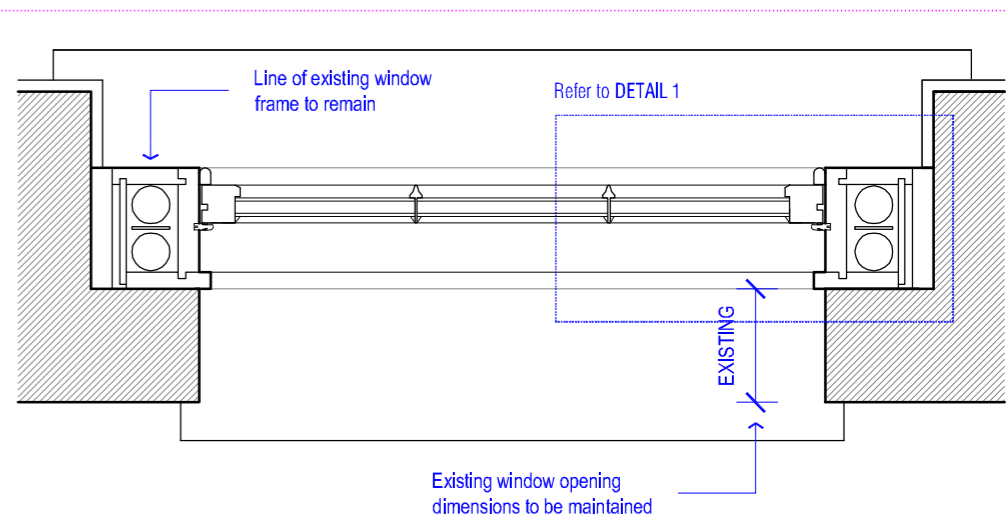
WT-10 Timber Frame / Casement N/A	WT-11 Timber Frame / Casement N/A	WT-12 Tim. Frame / Sash HT-2	WT-13 Tim. Frame / Sash HT-2	WT-14 Tim. Frame / Casement N/A
---	---	------------------------------------	------------------------------------	---------------------------------------

Scale 1:50

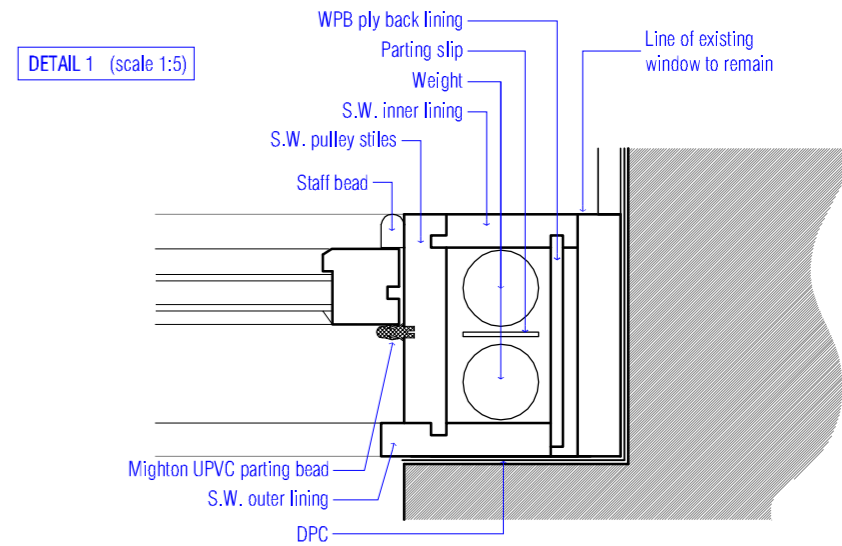
[01] PROPOSED WINDOW SCHEDULE 1:50



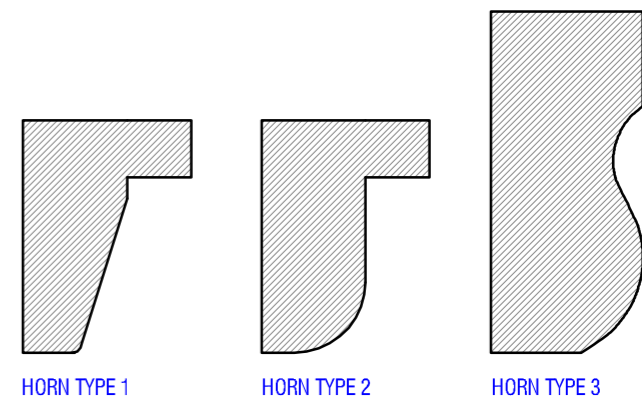
[03] SASH WINDOW - SECTION 1:10



[04] SASH WINDOW - PLAN 1:10



[05] SASH WINDOW - PLAN 1:5



[06] SASH WINDOW - HORN PROFILES NTS

[02] PROPOSED SASH WINDOW DETAILS - TYPICAL 1:10 & 1:5

NOTE:
DO NOT SCALE FROM DRAWINGS - EXCEPT FOR PLANNING PURPOSES.
ALL DISCREPANCIES TO BE REPORTED TO ARCHITECT IMMEDIATELY.
ALL DIMENSIONS TO BE VERIFIED BY CONTRACTOR ON SITE PRIOR TO THE COMMENCEMENT OF ANY WORKS.

P1 03/02/17 Issue for planning approval

Scale 1:10

VIVENDI ARCHITECTS LTD
Unit E3U, Bounds Green Industrial Estate, Ringway, London N11 2UD
Tel/Fax +44 (0)20 3232 4000 - email: info@vivendiarchitects.com
© VIVENDI ARCHITECTS LTD 2009
All rights reserved, including but not limited to The Copyright, Designs and Patents Act 1988
PROJECT TITLE:
7 ROSSLYN HILL, LONDON, NW3 5UL
DRAWING TITLE:
PROPOSED WINDOW SCHEDULE / WINDOW SECTIONS

CLIENT:
MR. V. DEROUKAKIS

DRAWN:
AH
CHECKED:
GK
ISSUED BY:
GK

STATUS:
PLA
SCALE AT A3:
VARIES
REVISION:
P1

JOB AND DRAWING NO:
1614-P03-03