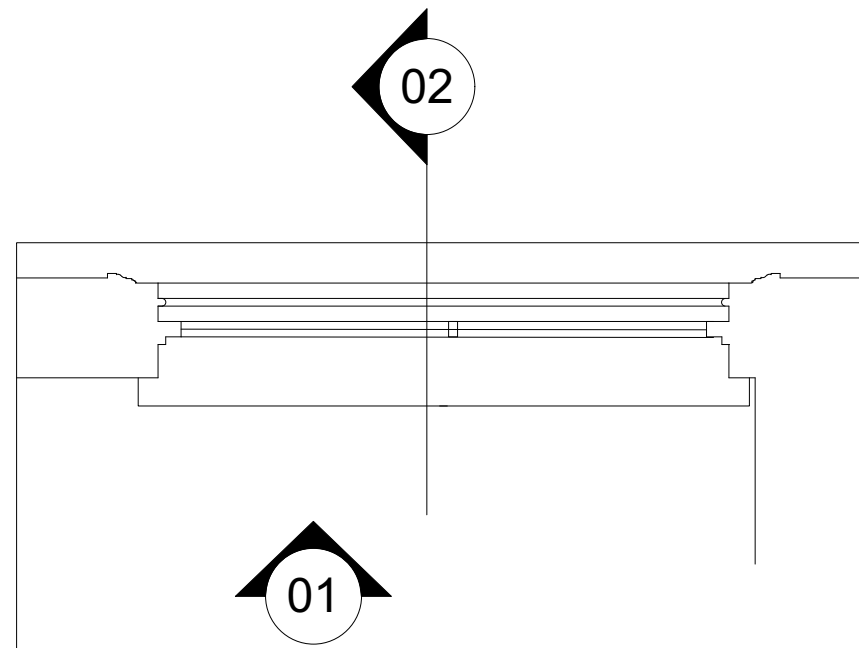
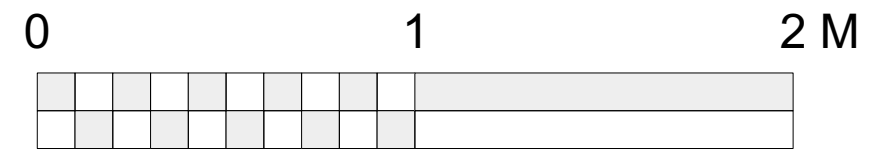


1 PROPOSED WINDOW ELEVATION
Scale: 1:20

2 PROPOSED WINDOW SECTION
Scale: 1:20



3 PROPOSED ELEVATION 02
Scale: 1:20



PROJECT: 144 FELLOWS ROAD
TITLE: PROPOSED WINDOW DRAWINGS
SCALE: 1:20
DATE: 03/02/17
AUTHOR: BERNARD ZAMMIT - bernie-z@hotmail.com
DRAWING NUMBER - 1606 - (04)20