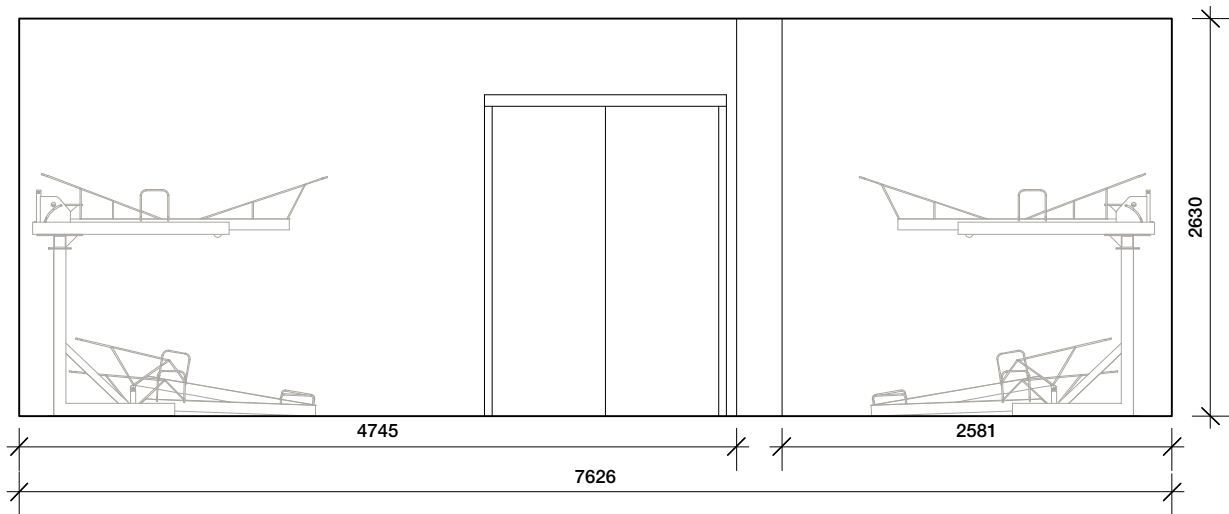
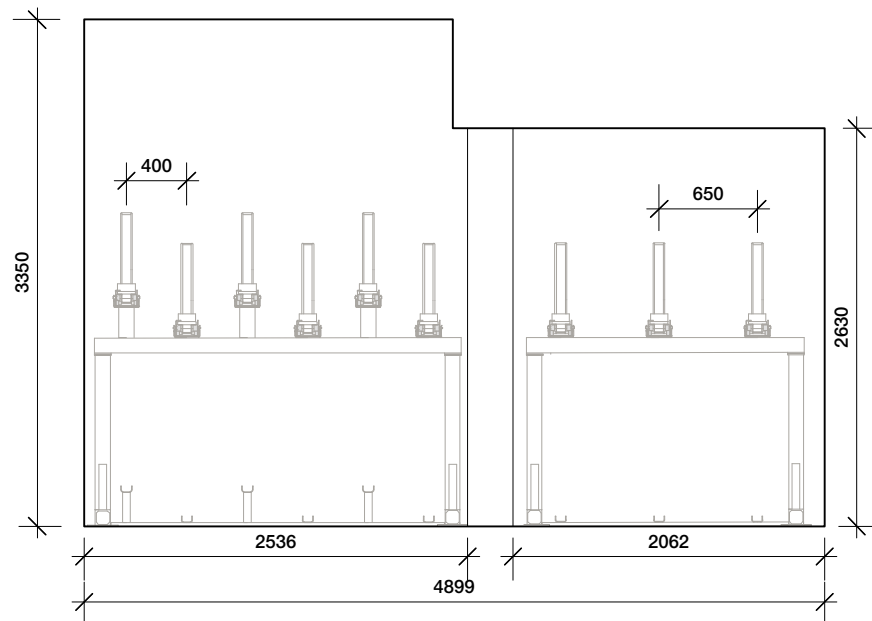


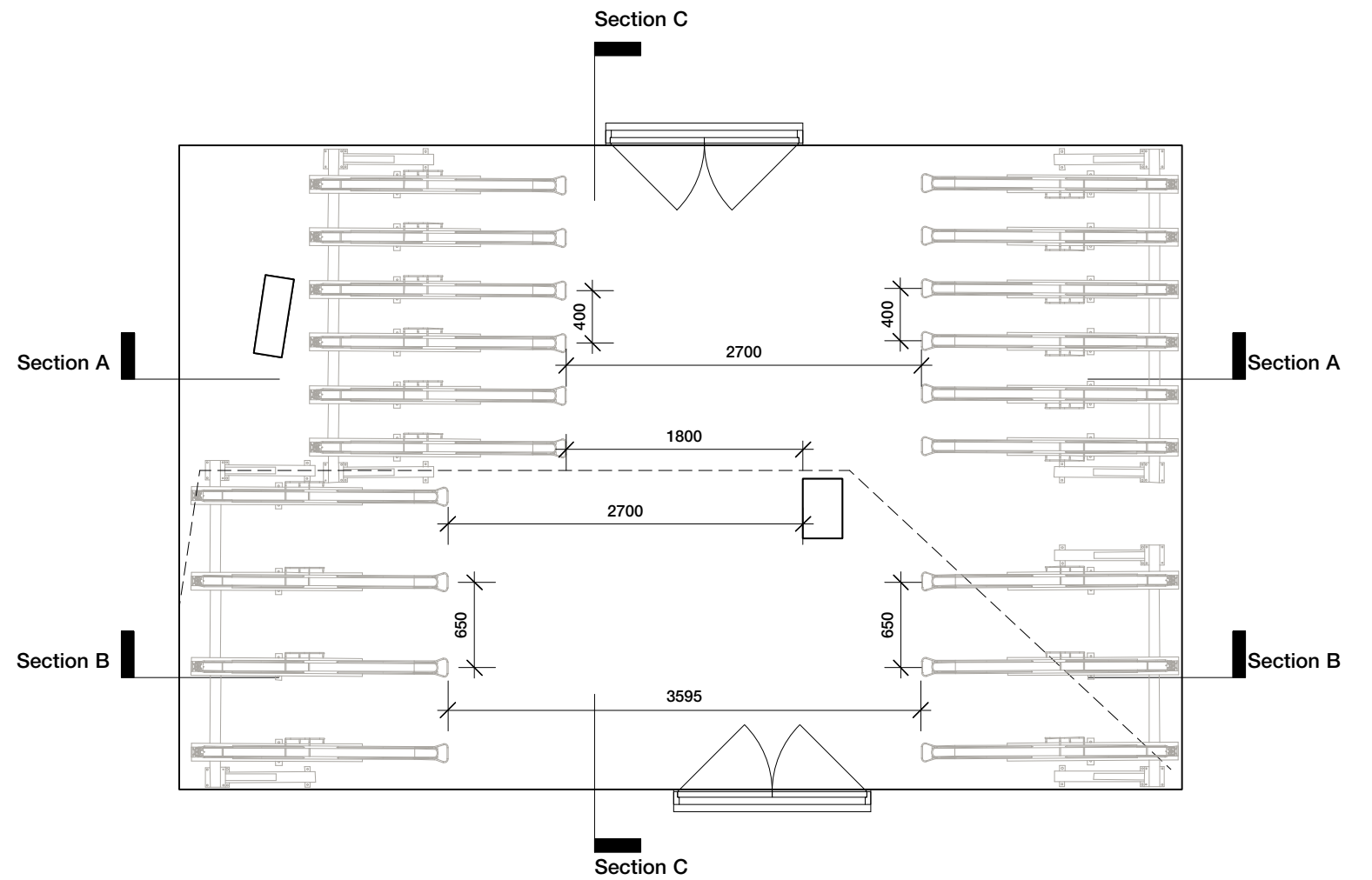
Section AA



Section BB



Section CC



- Total storage: 38 bicycles on two tier bike rack
- 7 two tier racks with 650 mm spacing (2500 mm FCH): 14 bikes.
- 12 two tier racks with 400 mm spacing (2700 mm FCH): 24 bikes.

Sergison Bates architects LLP
A/09 cycle store

Fitzjohns Avenue, NW3
Issued for planning

Architects	Date	Scale
Sergison Bates architects LLP 34 Clerkenwell Close London EC1R 0AU United Kingdom	22/11/16	1:50@A3
Tel +44 (0)20 7255 1564 e-mail studio @sergisonbates.co.uk		

276/4702a

Rev A 31/01/17

Do not scale from this drawing
All dimensions to be verified on site
Limited Liability Partnership Registered in England &
Wales No. OC317501 Registered office as above