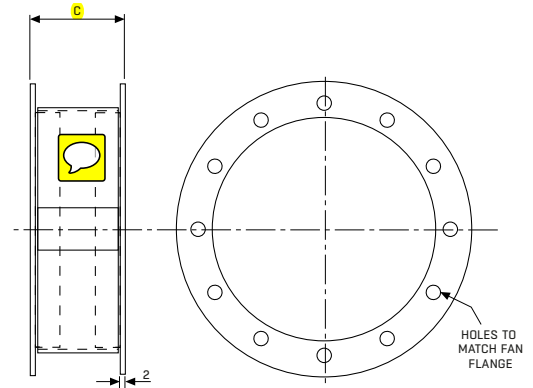


CASED & PLATE AXIAL - ACCESSORIES

JM MATCHING FLANGE AND FLEXIBLE CONNECTOR

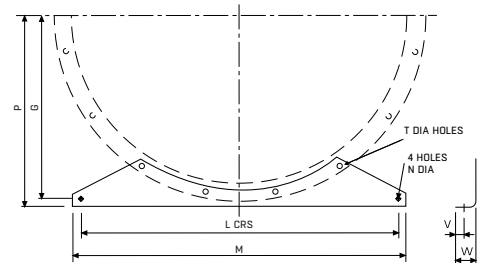
Suitable for fan ØA	Product Number		C	Weight (kg)	
	Matching Flange	Flexible Connector		Matching Flange	Flexible Connector
315	DA408238	AS040315	110	1.1	3.3
355	DA501351	AS040355	110	1.3	3.9
400	DA074913	AS040400	110	1.5	4.5
450	DA501353	AS040450	110	1.7	5.0
500	DA074914	AS040500	110	2.0	5.5
560	DA501355	AS040560	110	2.3	6.9
630	DA074915	AS040630	160	3.0	7.5
710	DA074916	AS040710	160	3.2	8.1
800	74917	AS040800	160	3.6	9.1
900	404841	AS040900	160	4.1	10.4
1000	74918	AS041000	165	4.6	12.4



Note: Flexible connection weight includes two matching flanges. Suitable for up to 400°C emergency operation for 1 hours and 200°C continuous.

JM MOUNTING FEET (SET OF 2)

Product Code	Max Motor Frame	Product Number	G	L	M	N	P	T	V	W	Weight Kg
315	80	408199	175	265	315	10	200	10	20	60	1.6
355	80	408200	200	305	355	10	225	10	20	60	2.2
400	80	408201	225	350	400	10	250	12	20	60	2.4
450	100	408202	255	400	450	10	280	12	20	60	3.0
500	112	408203	290	450	500	10	315	12	25	65	4.0
560	112	408204	330	510	560	10	355	12	25	65	4.6
630	100	243495	375	580	630	10	400	12	25	65	4.8
710	112	245874	415	660	710	10	440	12	25	80	7.0
800	112	245024	485	750	800	10	510	12	25	80	10.6
800	132	249468	485	750	800	12	510	12	25	80	10.6
900	112	249467	491	850	900	10	518	15	25	60	10.6
900	160	249258	491	850	900	12	518	15	25	60	10.6
1000	112	249464	605	950	1000	14	630	15	25	60	26.4
1000	160	249255	605	950	1000	14	630	15	25	60	26.4

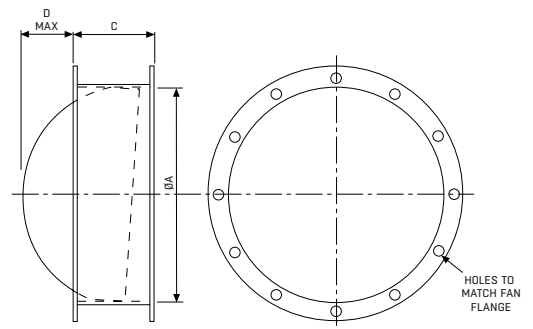


JM DAMPER

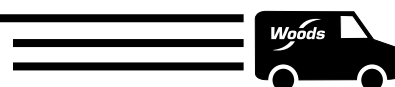
Suitable for fan ØA	Product Number	C	D	Weight (kg)
315	414942	225	-	8
355	414943	225	-	9
400	414944	225	17	10
450	414945	225	75	12
500	414473	225	75	16
560	414474	225	125	18
630	414475	225	176	20
710	414476	225	210	25
800	414477	225	266	27
900	414478	225	305	31
1000	414479	225	345	36

Note: Suitable for up to 400°C emergency operation and 200°C continuous. Product not stocked, available in 3 working weeks.

All dimensions in mm.



Products in **bold** are available from our UK Distributors on next day delivery, if ordered by 4pm. Please call to confirm availability on 01206 222 555.



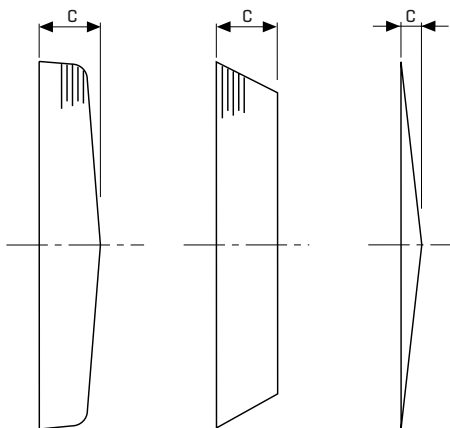
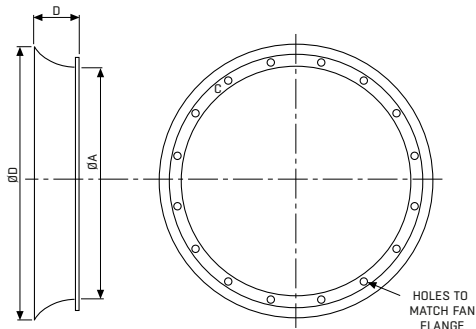


CASED & PLATE - ACCESSORIES

JM BELLMOUTH INLET - FAN WITH FLANGED INLET ONLY

Suitable for fan ØA	Product Number	C	Ø D	Weight (kg)
315	408593	65	387	1
355	248950	85	430	1.5
400	74880	90	482	1.5
450	248952	95	545	2
500	74881	87	606	2.9
560	248953	97	665	4.5
630	74882	108	763	4.8
710	74883	126	863	5.4
800	74884	134	962	6.8
900	404842	150	1084	8
1000	74885	167	1244	17.8

Product not stocked, available in 3 working weeks.



Impeller Side
L and S
or
Motor Side S
Type (BT, CT)

Motor Side
S Type
(112, 132 and
160)

Bellmouth and
L Type
Motor Side

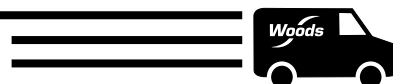
JM GUARD

Product Number	Description	Motor Frame	Dim C	Weight Kg
248853	31JM/JMP Guard Impeller (L and S) or Motor Side (S)	BT/CT	137	1.2
248854	35JM/JMP Guard Impeller (L and S) or Motor Side (S)	BT/CT	137	1.5
248856	40JM/JMP Guard Impeller (L and S) or Motor Side (S)	BT/CT	137	1.6
248855	45JM/JMP Guard Impeller (L and S) or Motor Side (S)	BT/CT	137	2
245014	50JM/JMP Guard Impeller (L and S) or Motor Side (S)	BT/CT	137	2
245074	56JM/JMP Guard Impeller Side (L and S)	N/A	137	2.5
252452	56JM Guard M/side (S)	112 Max	200	2.4
245060	63JM Guard Impeller Side (L and S)	N/A	137	2.8
252455	63JM Guard M/side (S)	112 Max	200	3
248888	63JM Guard M/side (S)	160 Max	372	3.4
245058	71JM Guard Impeller Side (L and S)	N/A	137	3.2
248887	71JM Guard M/side (S)	160 Max	372	3.4
244460	80JM Guard Impeller Side (L and S)	N/A	137	3.5
252457	80JM Guard M/side (S)	112 Max	137	3.5
248886	80JM Guard M/side (S)	160 Max	372	3.9
245062	90JM Guard Impeller Side (L and S)	N/A	137	4.2
252233	90JM Guard M/side (S)	112 Max	200	4.2
248885	90JM Guard M/side (S)	160 Max	348	5.4
244955	100JM Guard impeller Side (L and S)	N/A	137	5
252231	100JM Guard M/side (S)	112 Max	200	5
247681	100JM Guard M/side (S)	160 Max	372	6.3
249354	31JM Guard Bellmouth and M/side (L)	N/A	30	0.5
249334	35JM Guard Bellmouth and M/side (L)	N/A	30	0.5
249355	40JM Guard Bellmouth and M/side (L)	N/A	30	0.6
249356	45JM Guard Bellmouth and M/side (L)	N/A	30	0.6
249357	50JM Guard Bellmouth and M/side (L)	N/A	30	0.7
249358	56JM Guard Bellmouth and M/side (L)	N/A	50	1
249359	63JM Guard Bellmouth and M/side (L)	N/A	50	1.2
249360	71JM Guard Bellmouth and M/side (L)	N/A	50	1.4
249361	80JM Guard Bellmouth and M/side (L)	N/A	50	1.5
249362	90JM Guard Bellmouth and M/side (L)	N/A	50	1.7
249333	100JM Guard Bellmouth and M/side (L)	N/A	50	2

Product not stocked, available in 3 working weeks.

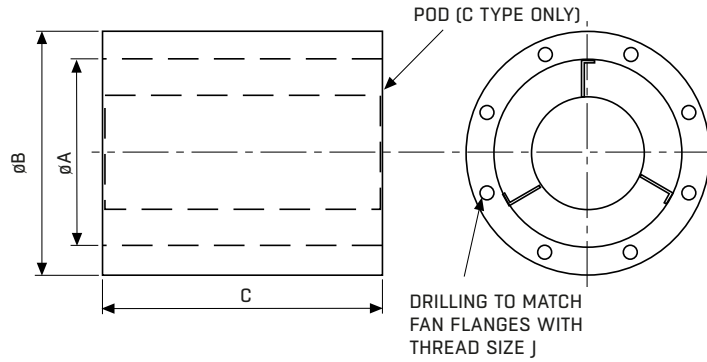
All dimensions in mm.

Products in **bold** are available from our UK Distributors on next day delivery, if ordered by 4pm. Please call to confirm availability on 01206 222 555.



CASED & PLATE - ACCESSORIES

SILENCER



B TYPE SILENCER

Bore Dia. mm (A)	Product Number	B	C	J	Weight (kg)
315	SB211401	415	315	M8	10
355	SB221401	455	355	M8	12
400	SB241401	500	400	M10	15
450	SB251401	600	450	M10	20
500	SB271401	650	500	M10	25
560	SB281401	710	560	M10	30
630	SB301401	780	630	M10	35
710	SB311401	860	710	M10	44
800	SB331401	1000	800	M10	55
900	SB341401	1100	900	M12	70
1000	SB351401	1200	1000	M12	82

C TYPE SILENCER (PODDED)

Bore Dia. mm (A)	Product Number	B	C	J	Weight (kg)
315	SC211401	415	315	M8	13
355	SC221401	455	355	M8	15
400	SC241401	500	400	M10	18
450	SC251401	600	450	M10	24
500	SC271401	650	500	M10	29
560	SC281401	710	560	M10	35
630	SC301401	780	630	M10	42
710	SC311401	860	710	M10	53
800	SC331401	1000	800	M10	66
900	SC341401	1100	900	M12	84
1000	SC351401	1200	1000	M12	100

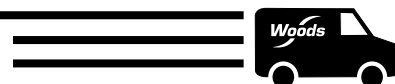
Bore Dia. mm (A)	dBA Reduction	
	B Type	C Type
315	-7 to -10	-12 to -15
355	-7 to -10	-12 to -15
400	-7 to -10	-12 to -15
450	-7 to -10	-12 to -15
500	-7 to -10	-12 to -15
560	-7 to -10	-12 to -15
630	-7 to -10	-12 to -15
710	-7 to -10	-12 to -15
800	-7 to -10	-12 to -15
900	-7 to -10	-12 to -15
1000	-7 to -10	-12 to -15
560	-7 to -10	-12 to -15
630	-7 to -10	-12 to -15
710	-7 to -10	-12 to -15
800	-7 to -10	-12 to -15
900	-7 to -10	-12 to -15
1000	-7 to -10	-12 to -15

The above silencers give the following approximate dBA reductions: B Type 1 diameter length - 7 to -10 dBA. C Type 1 diameter length - 12 to -15 dBA. For full acoustic details and resistance to airflow for type C see publications SP01.

*Not stocked lead time

All dimensions in mm.

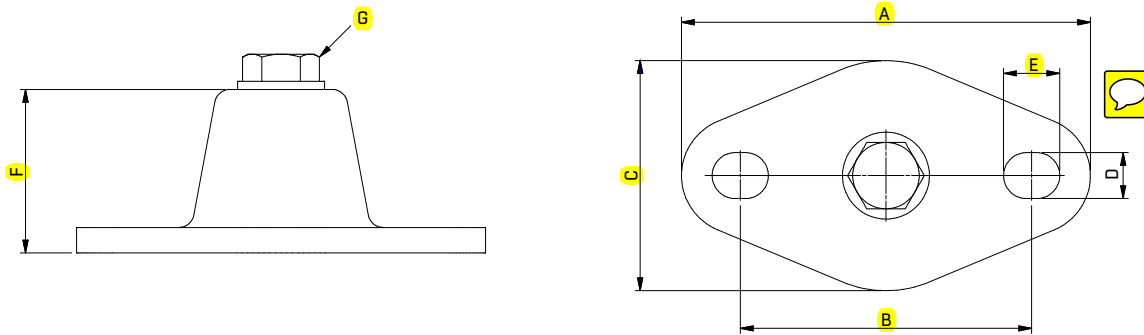
Products in **bold** are available from our UK Distributors on next day delivery, if ordered by 4pm. Please call to confirm availability on 01206 222 555.



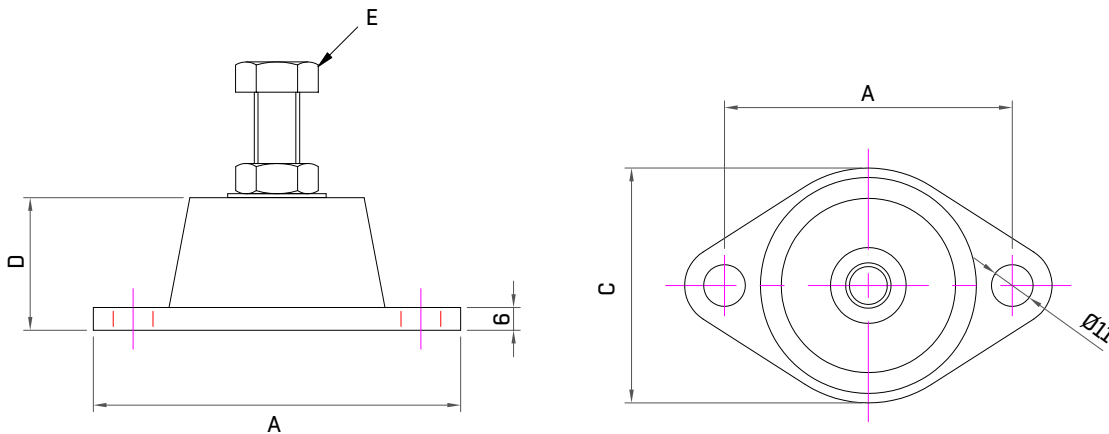


CASED & PLATE ACCESSORIES

RUBBER IN SHEAR ANTI-VIBRATION MOUNTS



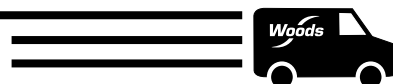
Product Code	Type	Load at 5-6mm deflection (Kg)	A	B	C	D	E	F	G
505000	AV Rubber MP2-28 Yellow ISL	28	80	57	45	9	11	32	M8
505001	AV Rubber MP2-50 Blue ISL	50	80	57	45	9	11	32	M8
505002	AV Rubber MP2-80 Red ISL	80	80	57	45	9	11	32	M8



Product Code	Type	Load at 5-6 mm deflection (Kg)	A	B	C	D	E
505003	AV Rubber MP1-45 White ISL	45	76	97	62	35	M12
505004	AV Rubber MP1-65 Red ISL	65	76	97	62	35	M12
505005	AV Rubber MP1-75 Yellow ISL	75	76	97	62	35	M12
505006	AV Rubber MP1-55 Blue ISL	55	76	97	62	35	M12

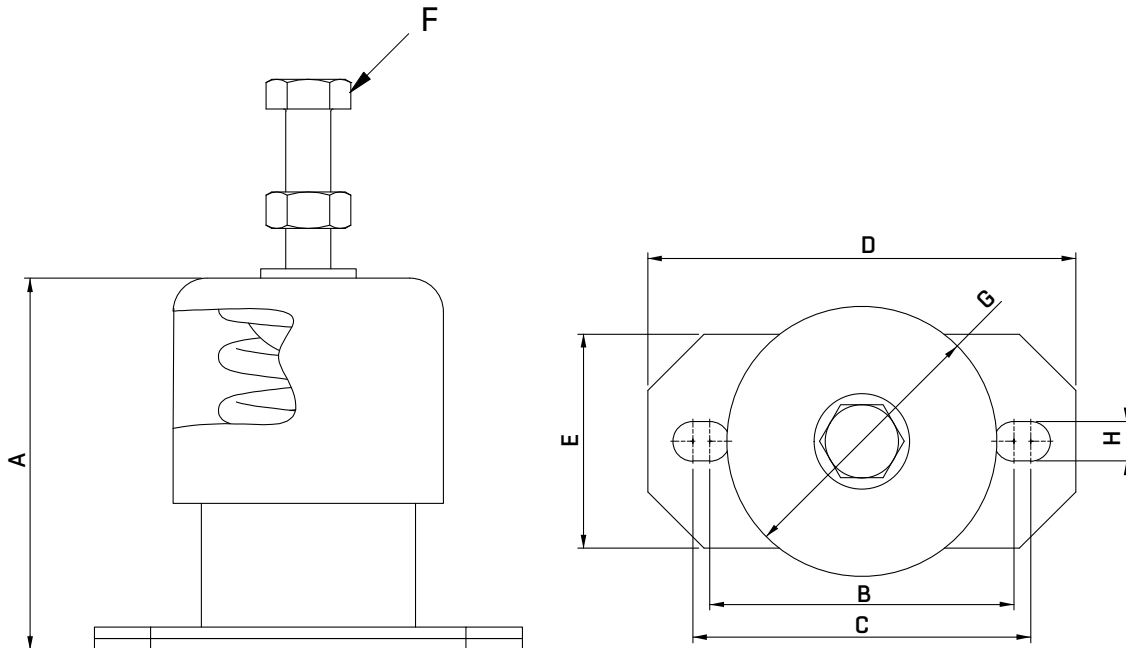
All dimensions in mm.

Products in **bold** are available from our UK Distributors on next day delivery, if ordered by 4pm. Please call to confirm availability on 01206 222 555.



CASED & PLATE ACCESSORIES

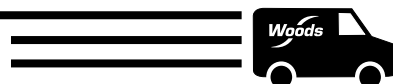
ENCLOSED SPRING ANTI-VIBRATION MOUNTS



Product Code	Type	Load at 20mm deflection (Kg)	A	B	C	D	E	F	G	H
505009	MMS1-L-10 Claret ISL	10	66	54	60	76	38	M8	48	7
505010	MMS1-L-15 Yellow ISL	15	66	54	60	76	38	M8	48	7
505011	MMS1-L-20 Grey ISL	20	66	54	60	76	38	M8	48	7
505012	MMS1-L-40 Green ISL	40	66	54	60	76	38	M8	48	7
505013	MMS1-L-70 Red ISL	70	66	54	60	76	38	M8	48	7
505014	MMS1-L-100 Blue ISL	100	66	54	60	76	38	M8	48	7

Product Code	Type	Load at 25mm deflection (Kg)	A	B	C	D	E	F	G	H
505015	MMS1-30 Yellow ISL	30	96	85	90	110	70	M10	78	9
505016	MMS1-60 Green ISL	60	96	85	90	110	70	M10	78	9
505017	MMS1-100 Blue ISL	100	96	85	90	110	70	M10	78	9
505018	MMS1-160 White ISL	160	96	85	90	110	70	M10	78	9
505019	MMS1-250 Red ISL	250	96	85	90	110	70	M10	78	9

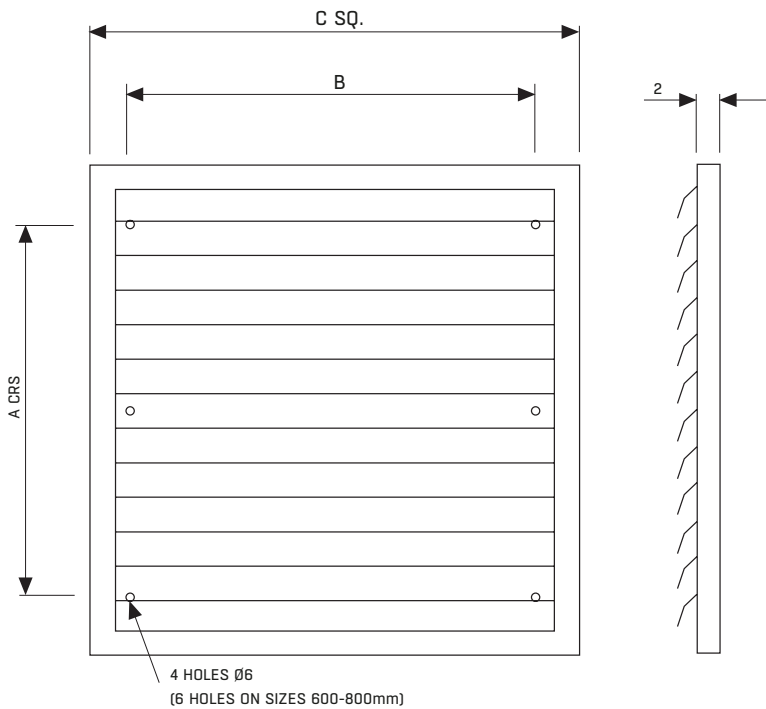
Products in **bold** are available from our UK Distributors on next day delivery, if ordered by 4pm. Please call to confirm availability on 01206 222 555.





CASED & PLATE ACCESSORIES

LOUVRE SHUTTER



Suitable for fan dia. A	Product Number	A	B	C	Weight kg
315	DA403715	250	300	395	1
355	DA403716	300	350	445	1.25
400	DA403717	350	400	495	1.5
450	DA403718	400	450	545	1.75
500	DA403719	450	500	595	2
560	DA410282	500	550	645	2.2
630	DA407949	603	653	748	2.4

Aluminium frames, plastic shutters. Shutters must be separated from the fan mounting plane by the following minimum distances:

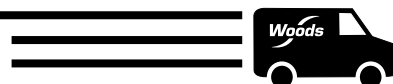
Up to 500 mm Ø - 150mm

560 to 630 mm Ø - 200mm

Note; that under some combinations of fan speed and wind the shutters vanes may become unstable. This is more likely to occur at reduced fan speed.

All dimensions in mm.

Products in **bold** are available from our UK Distributors on next day delivery, if ordered by 4pm. Please call to confirm availability on 01206 222 555.



ALSO AVAILABLE FROM THE WOODS RANGE



**JMv
Aerofoil**



MaXfan²



**JM
Aerofoil**



**HT JM
Aerofoil**



**JM
Bifurcated**



Series 33



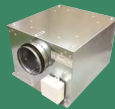
Plate Fans



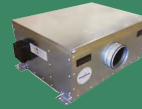
**Cased &
Plate Axial
Accessories**



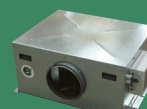
Tube Fans



**Sabina EC
Box Fans**



**Daisho AC
Box Fans**



**Daisho EC
Box Fans**



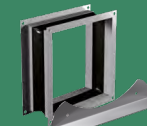
Estoc



Estoc Targe



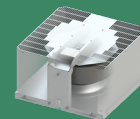
Estoc EC



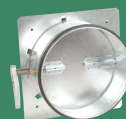
**Tube & Box
Accessories**



**Roof Units
Horizontal**



**Roof Units
Vertical**



**Fire
Dampers**



**Iris
Dampers**



Fire Valves



**Valves
Supply KE**



**Valves
Extract KK**



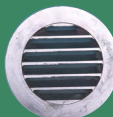
**Valves
Exhaust
VEFS**



**Nozzles DK
& DR**



**Louvres/
Cowls
EYMA and
DYMA**



**External
Louvres
USAV**



Controllers

Selected products available from our UK Distributors on next day delivery, if ordered by 4pm. Please call 01206 222 555 for more information.

