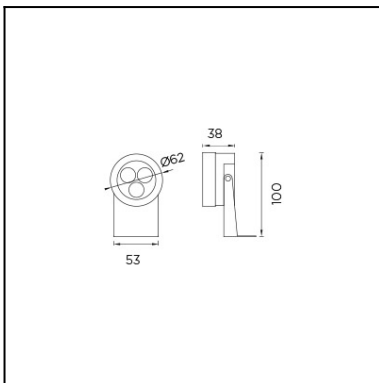




The photograph may not match the reference exactly. Please read the product description to identify the finish.

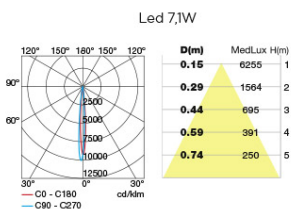


**Description**

LED spotlight for indoor and outdoor use. Body produced in machined aluminium and finish in grey with AISI 304 stainless steel support brackets. Includes three LEDs with neutral white colour temperature. Its installation kit includes two gimbals allowing 180° vertical rotation, and full 360° horizontal rotation. High protection against solid particle and liquid infiltration, high IK. Includes a 1.4 m lead for an easier installation.

**TECHNICAL CHARACTERISTICS**

Type:	Spotlight
Adjustable:	Adjustable 360° on the vertical axis. Adjustable ±90° on the vertical axis
IP Protection degrees:	IP65
Light source 1:	3 x LED Cree 7,1W Neutral white - 4000K 510 lm <sup>(N)</sup> CRI 75
Angle of the optics / Reflector:	15°
Voltage / Frequency:	max. 700mA
Warranty (Years):	2
Option to extend the guarantee (Years):	5
Units per box:	20
Net Weight (Kg):	0.405
EAN:	8435111071878



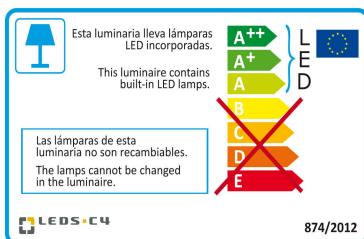
**MATERIALS / FINISHES**

<b>Structure material:</b>	Aluminium	<b>Diffuser material:</b>	Glass
<b>Structure finish:</b>	Grey	<b>Diffuser finish:</b>	Transparent

**GEAR**

Necessary equipment not included. For more information check website / catalogs / sales organization.

Download photometric file .ldt / .ies



Click on image to download energy label

Lm<sup>(N)</sup>: Nominal flow of light in actual working conditions. Its actual flow will depend on the environmental conditions and the efficiency of the optics and/or diffuser.

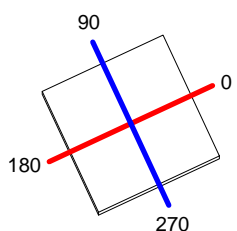
LEDS-C4 reserves the right to make the necessary technical changes they deem adequate, in order to improve the features of the product.

Please consult the sales team to clarify any doubt.

<b>Luminaire</b>		<b>Measur.</b>		<b>Lamp</b>		
Code	05-3358-N3-37	Code	05-3358-N3-37	Code	LED	
Name	LED RECESSED LIGHT	Name	LED RECESSED LIGHT	Number	3	
Line	Eulumdat	Date	09-09-2013	Position		
Efficiency	93.50%	Coordinate system	CG	Total Flux	480.00 lm	
Maximum value	10078.25 cd	Position	C=270.00 G=1.00	Asymmetrical		
Rectangular Luminaire	Length	46 mm	Width	46 mm	Height	1 mm
Rectangular Luminous Area	Length	46 mm	Width	46 mm	Height	0 mm
Horizontal Luminous Area	0.002116 m2	Emitting area on Plane 180°		0.000000 m2		
Emitting area on Plane 0°	0.000000 m2	Emitting area on Plane 270°		0.000000 m2		
Emitting area on Plane 90°	0.000000 m2	Glare area at 76°		0.000512 m2		
Symmetry Type	Asymmetrical	Maximum Gamma Angle		90		
Measurement Distance	0.00	Measurement Flux		480.00 lm		
Operator		Source voltage				
Temperature	25.00 °C	Source current				
Humidity	60.00 %	Photocell				
Notes						

Line		Code		Luminaire Lamps		Flux [lm]	Pow. [W]	Q.ty
Eulumdat		LED		Name				
				LED - 2.17 W		160.00	2.17	3
C.I.E.	86 93 97 100 93			D DIN 5040	A60			
F UTE	0.93 A			B NBN	BZ 1			

46mm x 46mm



**C Halfplanes**

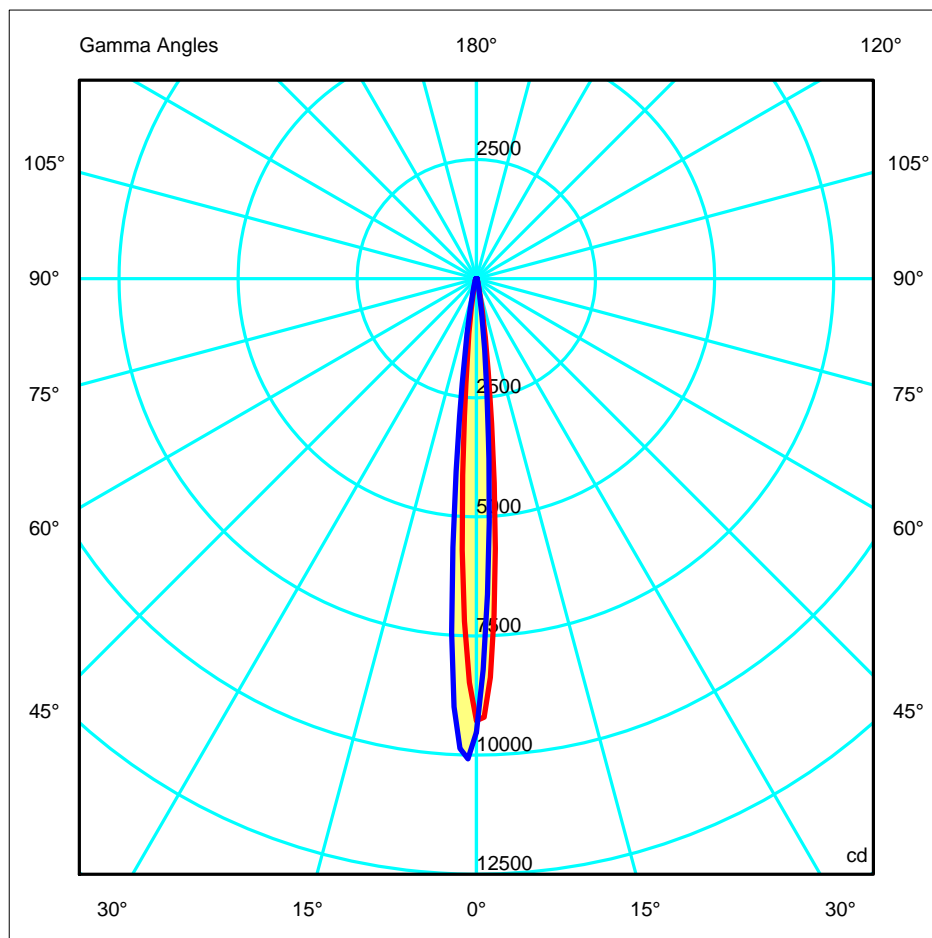
180.0 — 0.0

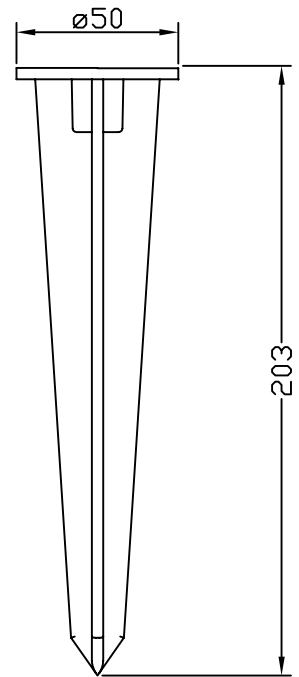
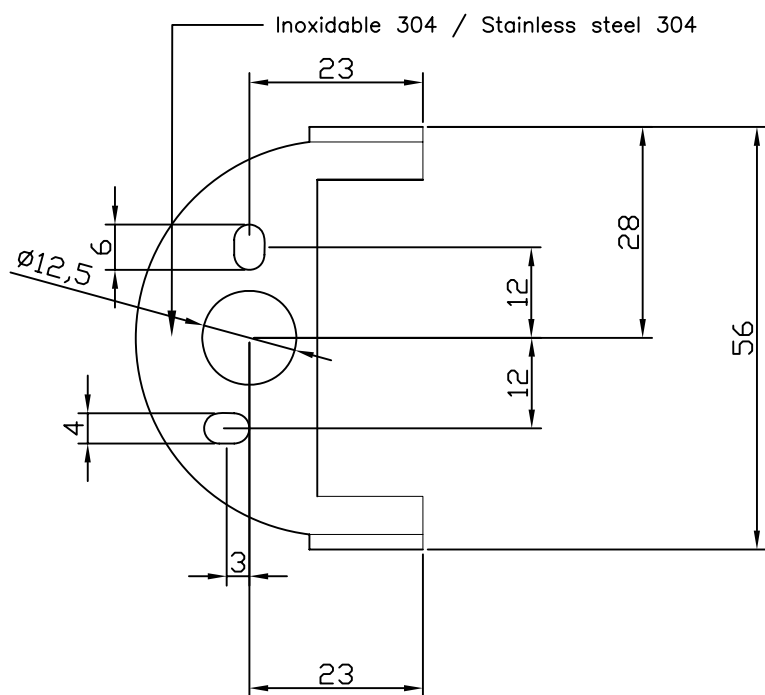
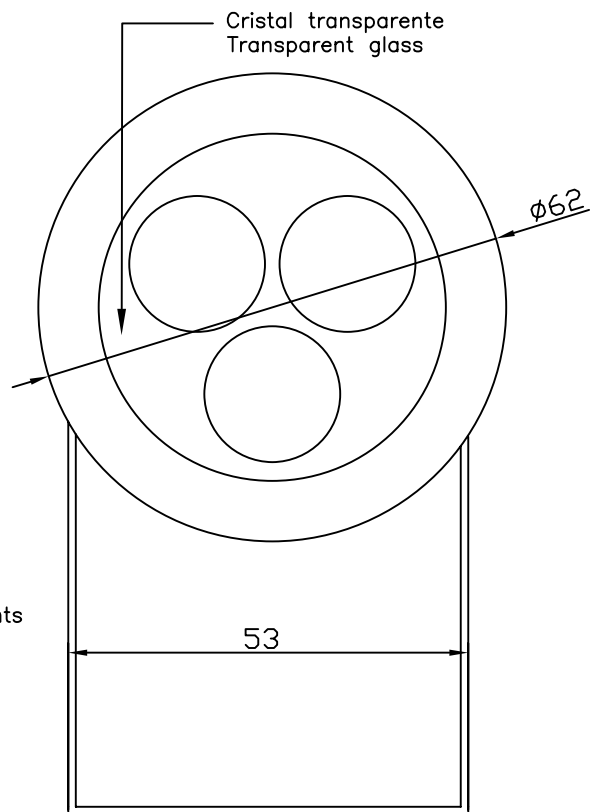
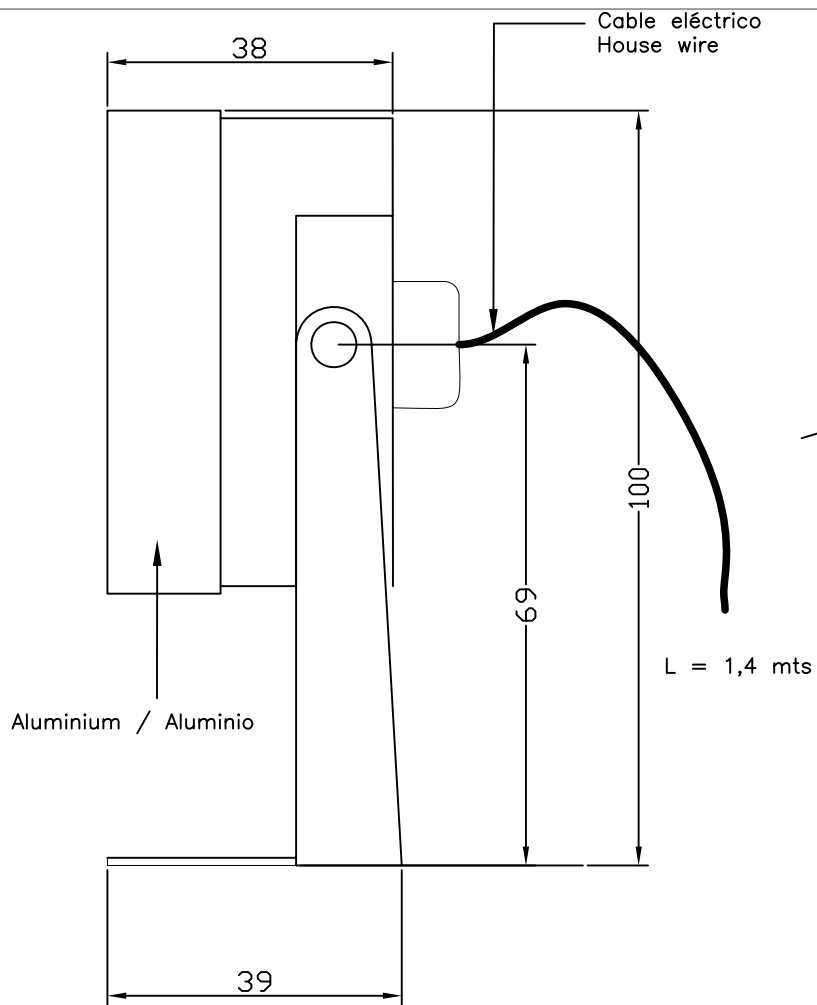
270.0 — 90.0

ULOR 0.00 %

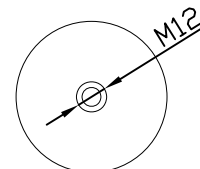
DLOR 93.50 %

RN 0.00 %

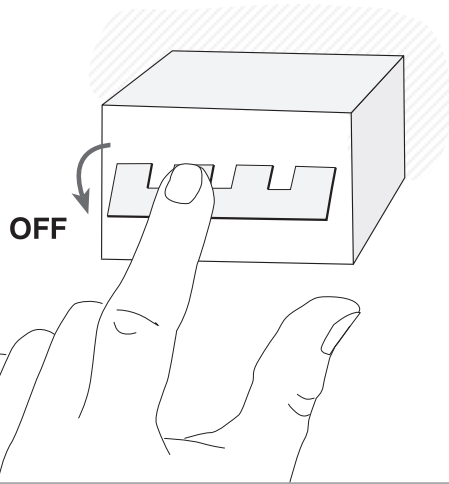




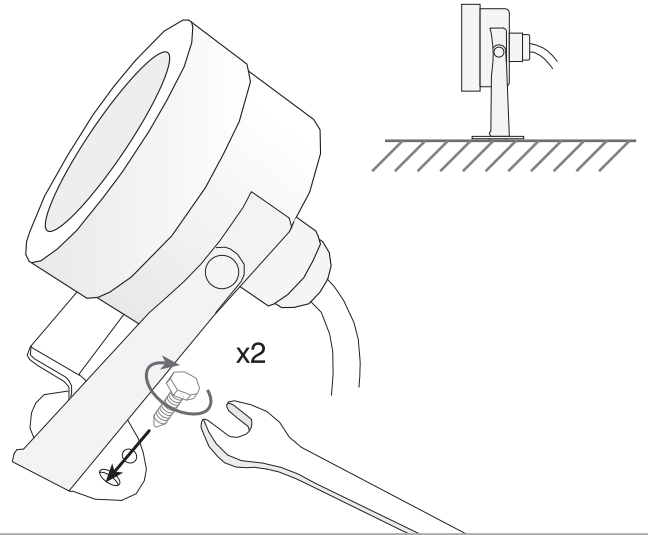
Plástico Negro / Black plastic



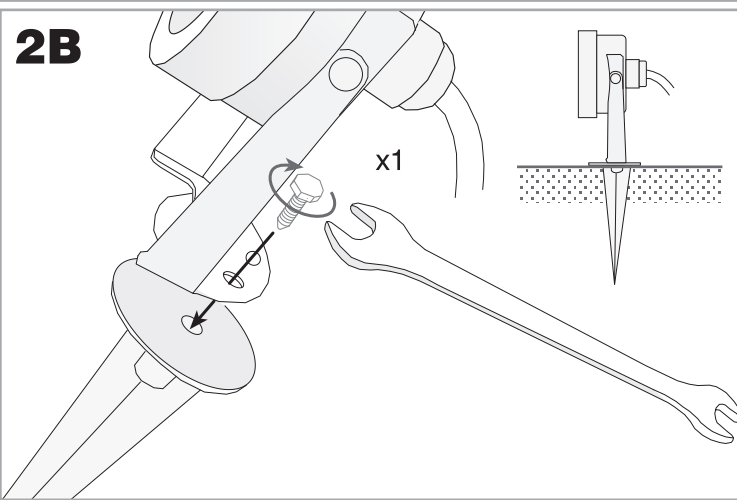
**1**



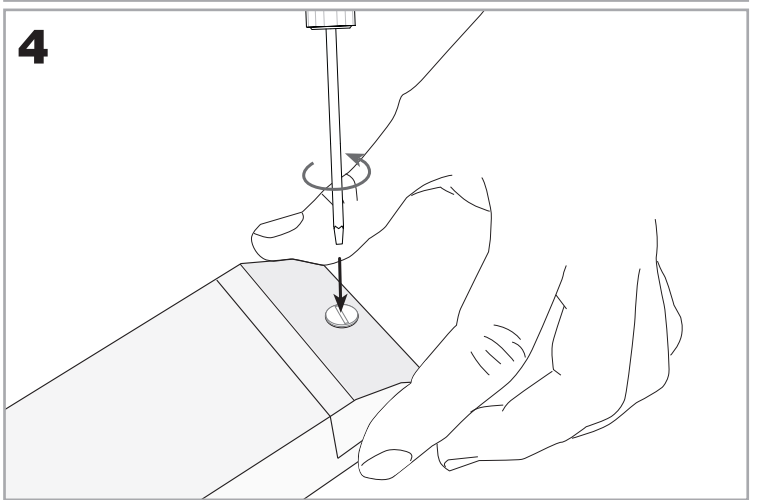
**2A**



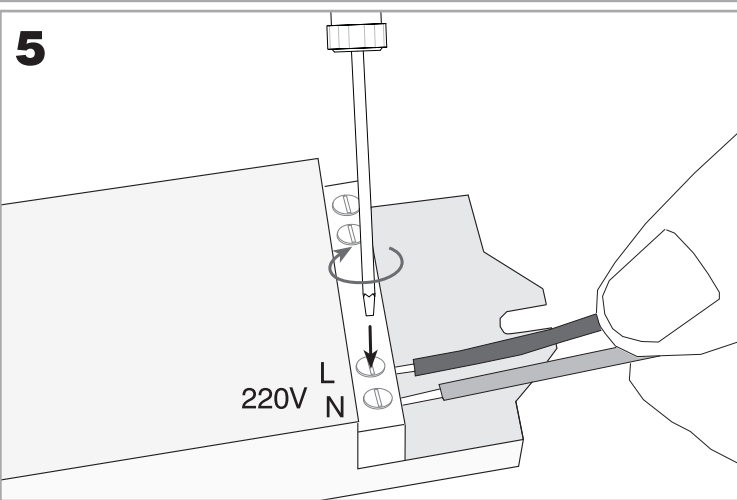
**2B**



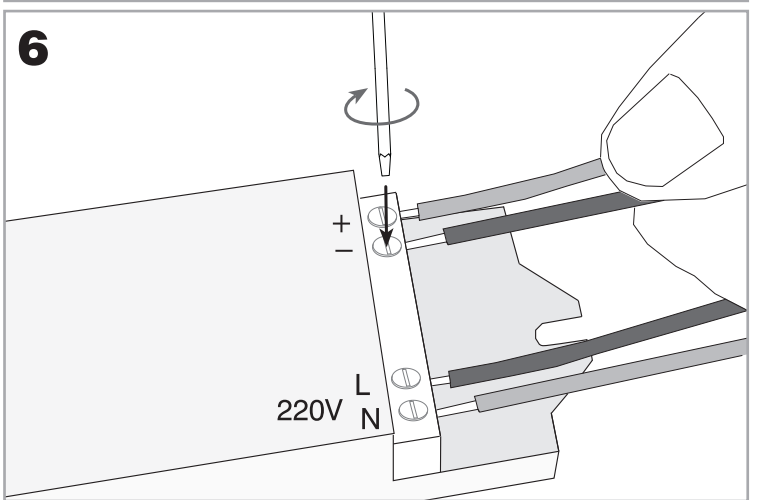
**4**



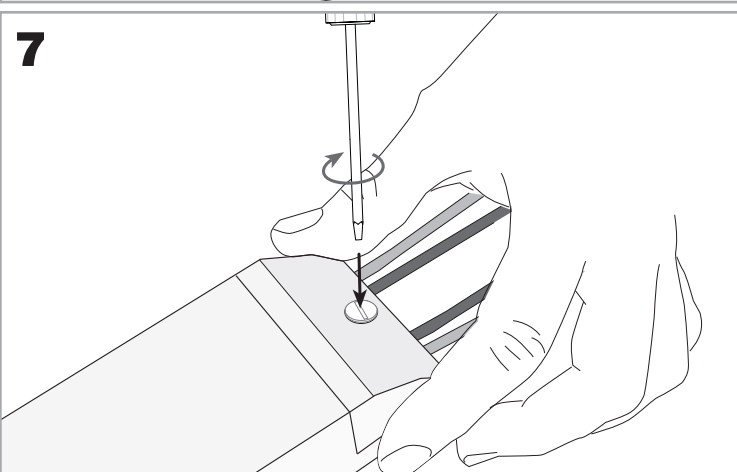
**5**



**6**



**7**



**8**

