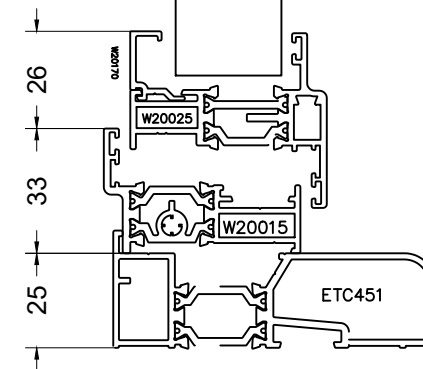
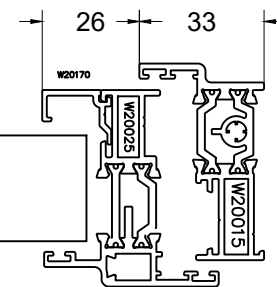
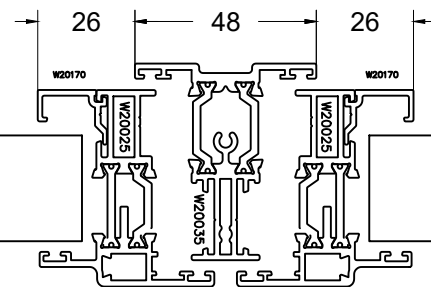
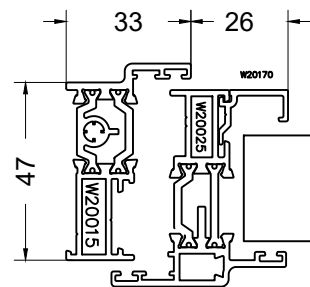
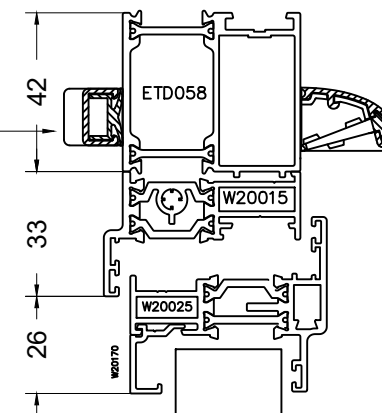


1no 5000EA trickle vent



Issue: **APPROVAL**

Rev	Date	Comment



16 A Raven Rd, South Woodford, London E18 1HB.
T: 020 8505 8113 E: info@grovetwindows.co.uk
F: 020 8505 0696 W: grovetwindows.co.uk

Project:
Gower Mews Mansions

Client:
Bedford Estates

Title:
**Alitherm Heritage Window
2nd Floor**

Scale: 1:2 & 10 @ A3	Date: December '16
Drwg no: 12323- 202	Revision: .