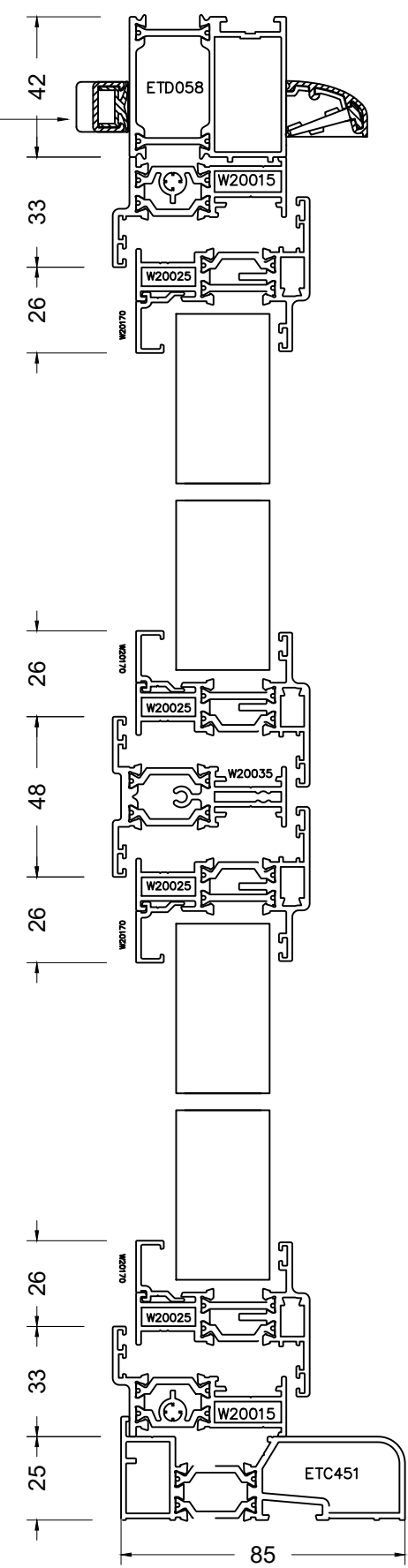
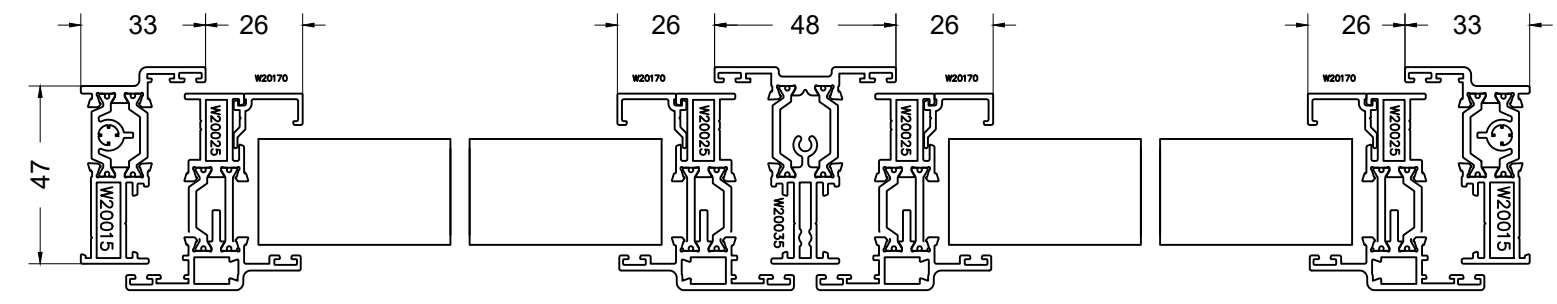


1 no 5000EA trickle vent



Issue: **APPROVAL**

Rev	Date	Comment



16 A Raven Rd, South Woodford, London E18 1HB.
 T: 020 8505 8113 E: info@grovetwindows.co.uk
 F: 020 8505 0696 W: grovetwindows.co.uk

Project: **Gower Mews Mansions**

Client: **Bedford Estates**

Title: **Alitherm Heritage Window
1st Floor**

Scale: 1:2 & 10 @ A3	Date: December '16
Drwg no: 12323- 201	Revision: .