







- ① PU foam insulation
- ② Flexible sealant
- ③ DPC

Cut out existing brickwork to form the recess required to conceal the inner box to the sash window

Window frame to be installed in accordance with supplier's instructions. Method of mechanical fixing the frame into the structural opening to be contractor's choice

Make good existing internal render around window opening

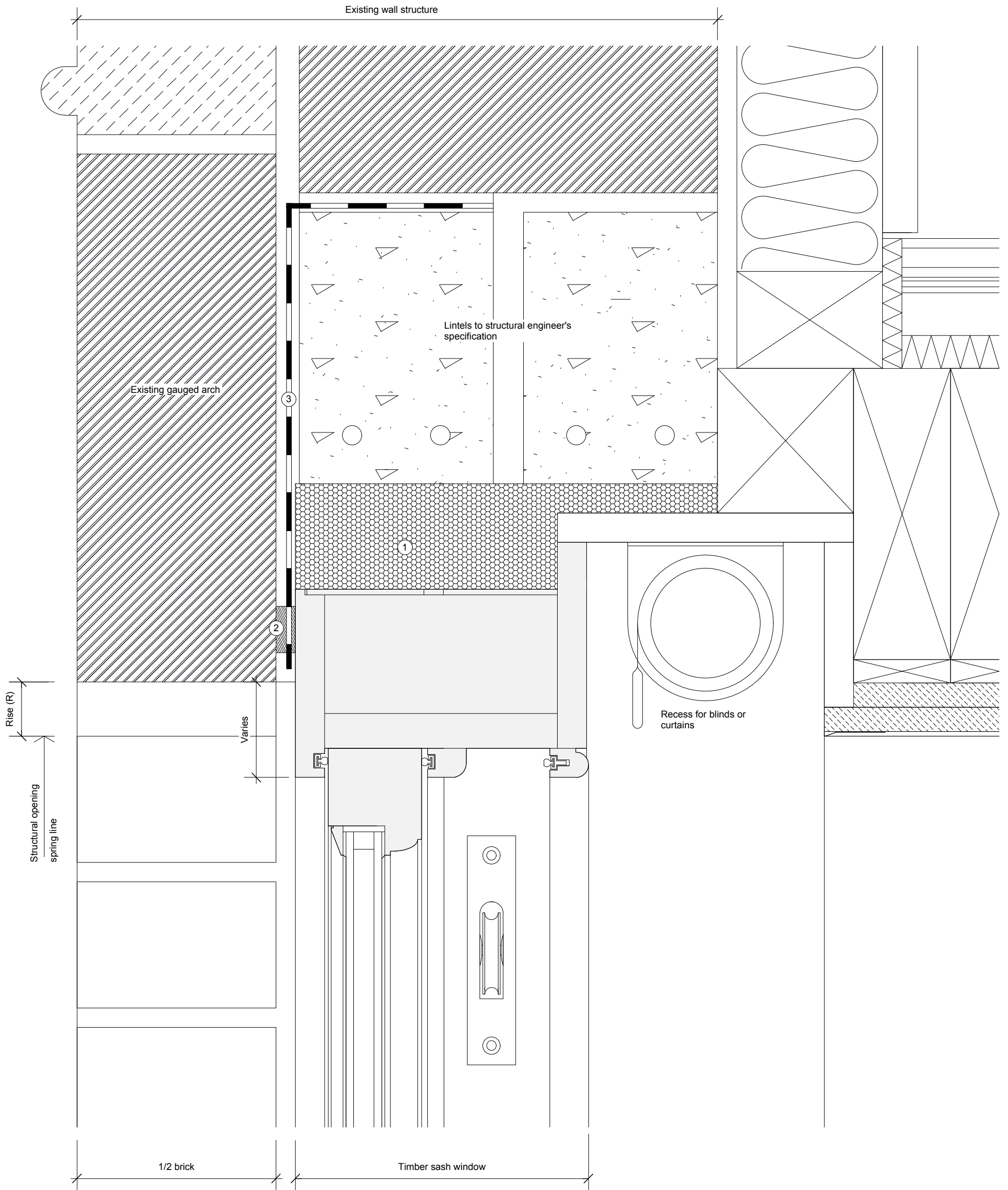
KEY

-  BRICK
-  STONE
-  DPC
-  INSULATION MINERAL WOOL
-  INSULATION PU EXPANDING FOAM
-  MASTIC/ SILICONE/ SEALING COMPOUND

Typical Window Jamb Detail

Head detail 16.12.251
Cill detail 16.12.252

EDRM + DSDHA <small>www.edrm.co.uk</small> <small>www.dsdha.co.uk</small>	Title	Typical Window Jamb Replacement Sash	Drawing no.	16.12.250_PL	Rev	-
	Project	Bickersteth House 31 Grove Place, NW3 1JS	Date	12.16	Scale	1.2 @ A3



KEY

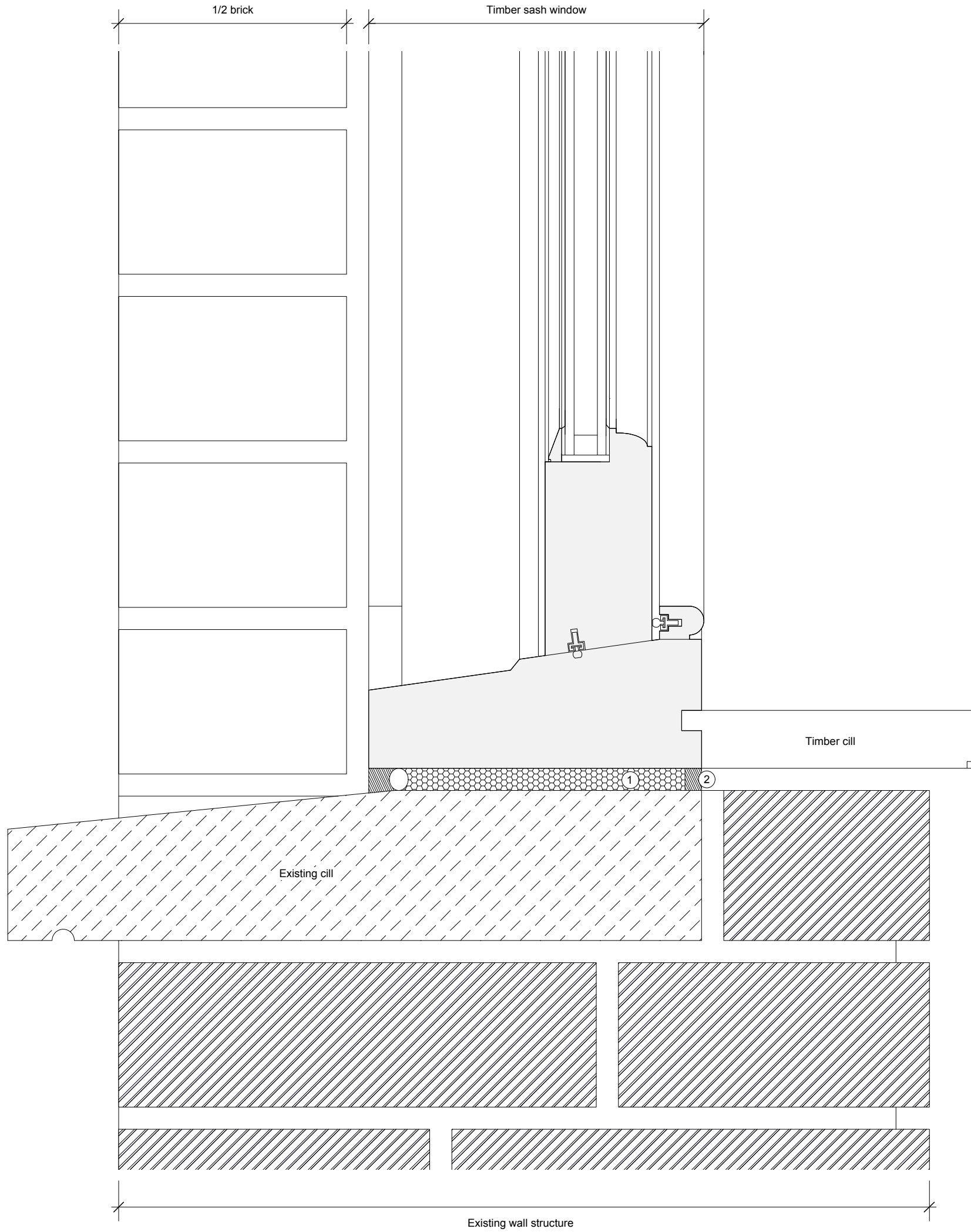
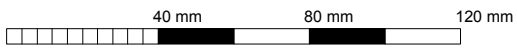
	BRICK
	STONE
	DPC
	INSULATION MINERAL WOOL
	INSULATION PU EXPANDING FOAM
	MASTIC/ SILICONE/ SEALING COMPOUND

Typical Head Detail

Jamb detail 16.13.250
Cill detail 16.13.252

- ① PU foam insulation
- ② Flexible sealant
- ③ DPC

EDRM + DSDHA www.edrm.co.uk www.dsdha.co.uk	Title Typical Window Head Replacement Sash	Drawing no. 16.12.251_PL	Rev -
	Project Bickersteth House 31 Grove Place, NW3 1JS	Date 12.16	Scale 1.2 @ A3



KEY

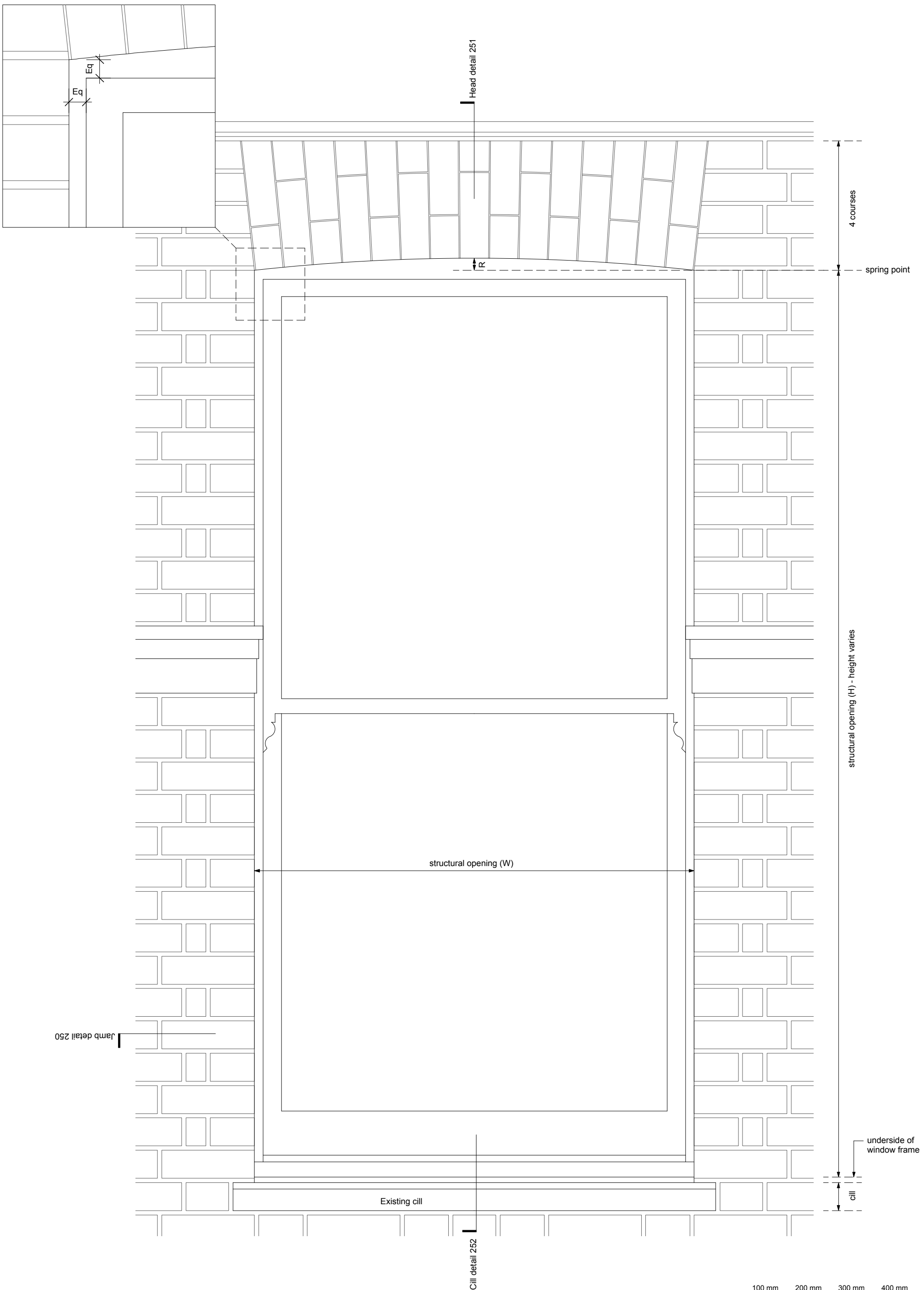
	BRICK
	STONE
	DPC
	INSULATION MINERAL WOOL
	INSULATION PU EXPANDING FOAM
	MASTIC/ SILICONE/ SEALING COMPOUND

Typical Cill Detail

Jamb detail 16.13.250
 Head detail 16.13.251

- ① pu foam insulation
- ② Flexible sealant

EDRM + DSDHA www.edrm.co.uk www.dsdha.co.uk	Title	Typical Window Cill Detail Replacement Sash		Drawing no.	16.12.252_PL	Rev	-
	Project	Bickersteth House 31 Grove Place, NW3 1JS		Date	12.16	Scale	1.2 @ A3



Typical Window Elevation

Jamb detail 16.13.250
 Head detail 16.13.251
 Cill detail 16.13.252

EDRM + DSDHA www.edrm.co.uk www.dsdha.co.uk	Title Typical Window Elevation Replacement Sash	Drawing no. 16.12.253_PL	Rev -
	Project Bickersteth House 31 Grove Place, NW3 1JS	Date 12.16	Scale 1.8 @ A3