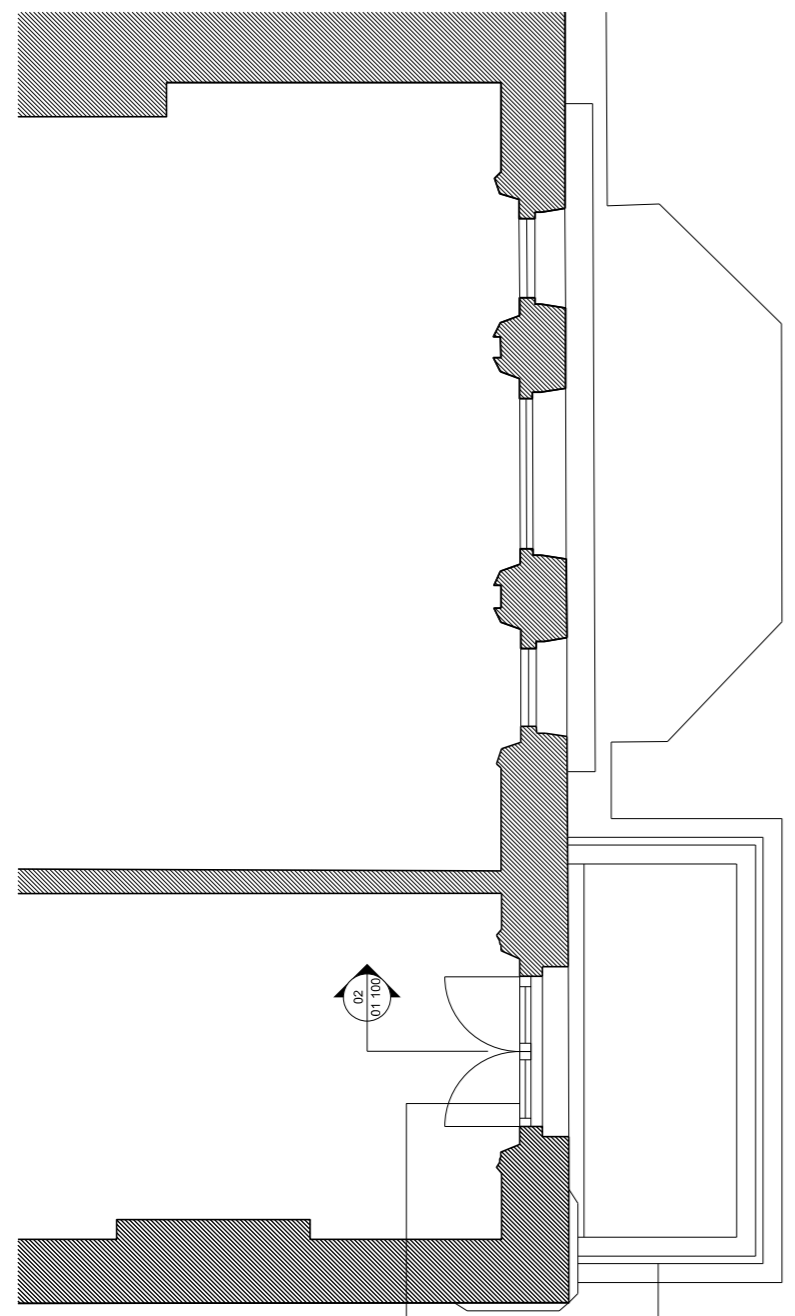


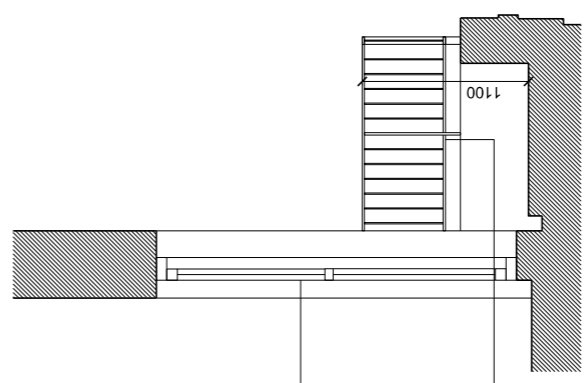
GENERAL NOTES
 1. This drawing should be read in conjunction with all other contract documentation and all other consultant and specialist drawings.
 2. Do not scale from this drawing.
 3. All levels and dimensions are to be checked on site.
 4. The Architect is to be notified in writing of any discrepancies before proceeding.
 5. This drawing is subjected to Copyright.



NEW PAINTED TIMBER PATIO DOOR IN EXISTING SASH WINDOW FRAME COLOUR: WHITE

NEW PAINTED METAL BALUSTRADE COLOUR: BLACK

PLAN PROPOSED
 01 01 100 1: 50



NEW PAINTED TIMBER PATIO DOOR IN EXISTING SASH WINDOW FRAME COLOUR: WHITE

NEW PAINTED METAL BALUSTRADE COLOUR: BLACK

SECTION PROPOSED
 02 01 100 1: 50

P0	ISSUED FOR PLANNING	13/12/16	NA
REV	DESCRIPTION	DATE	BY

STATUS
FOR PLANNING




design-NA architects
 70 Cowcross Street
 London EC1M 6EJ
 T: +44 (0) 20 7870 7767
 E: info@design-NA.com

PROJECT
 GANESH ARUNACHALAM
 FLAT 4, 47 BELSIZE PARK GARDENS

DRAWING TITLE
 PLAN AND SECTION
 PROPOSED

SCALE AT A3
 1: 50

DATE
 DEC 2016

DRAWING NO
dNA BPR 01 100

REV
P0