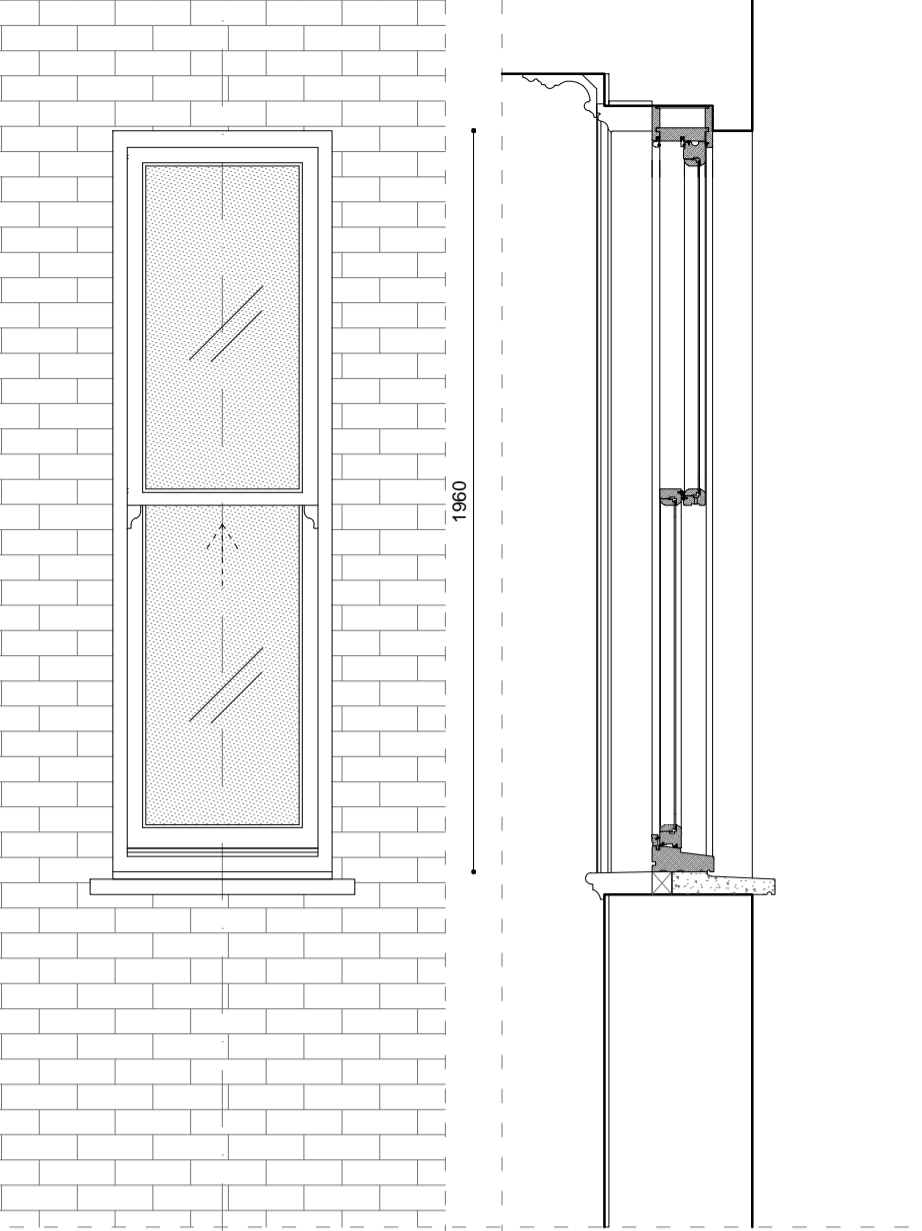


EX EWD-01-03

SCALE 1:20

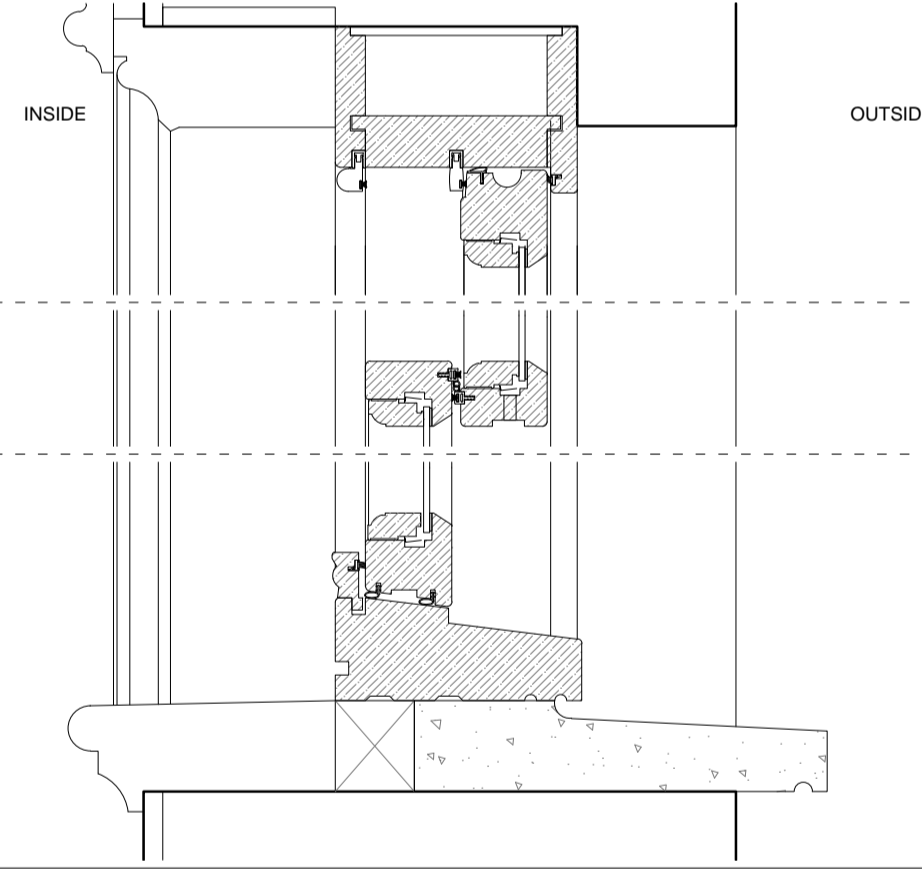


DESCRIPTION

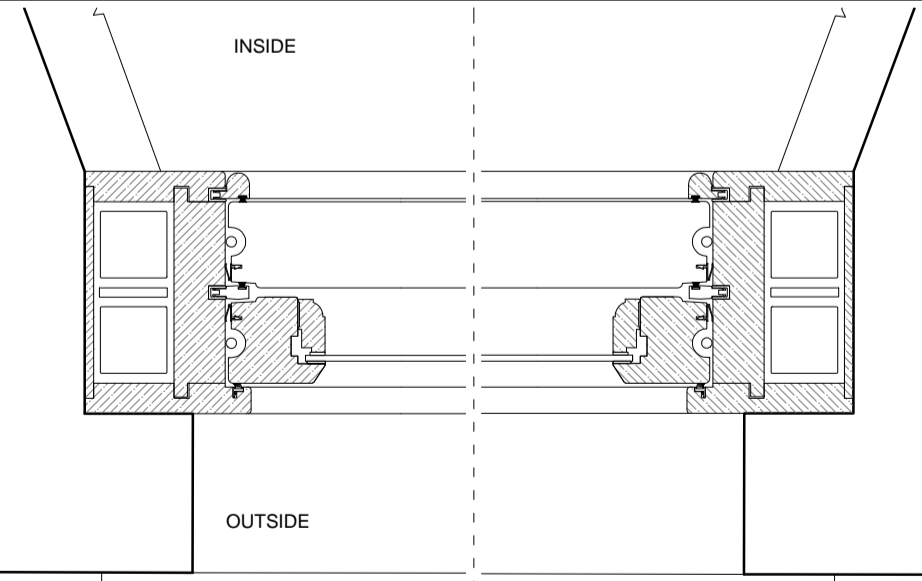
- 1- GLASS: SINGLE GLAZED UNIT
- 2- FRAME: SOLID TIMBER
- 3- FINISH: HAND PAINTED-EGG SHELL
- 4- HANDLES: TBS
- 5- U-VALUE: 1.6 W/m2k
- 6- SEALS: TBS

FRAME DETAILS SCALE 1:5

DETAIL 01 - VERTICAL SECTION

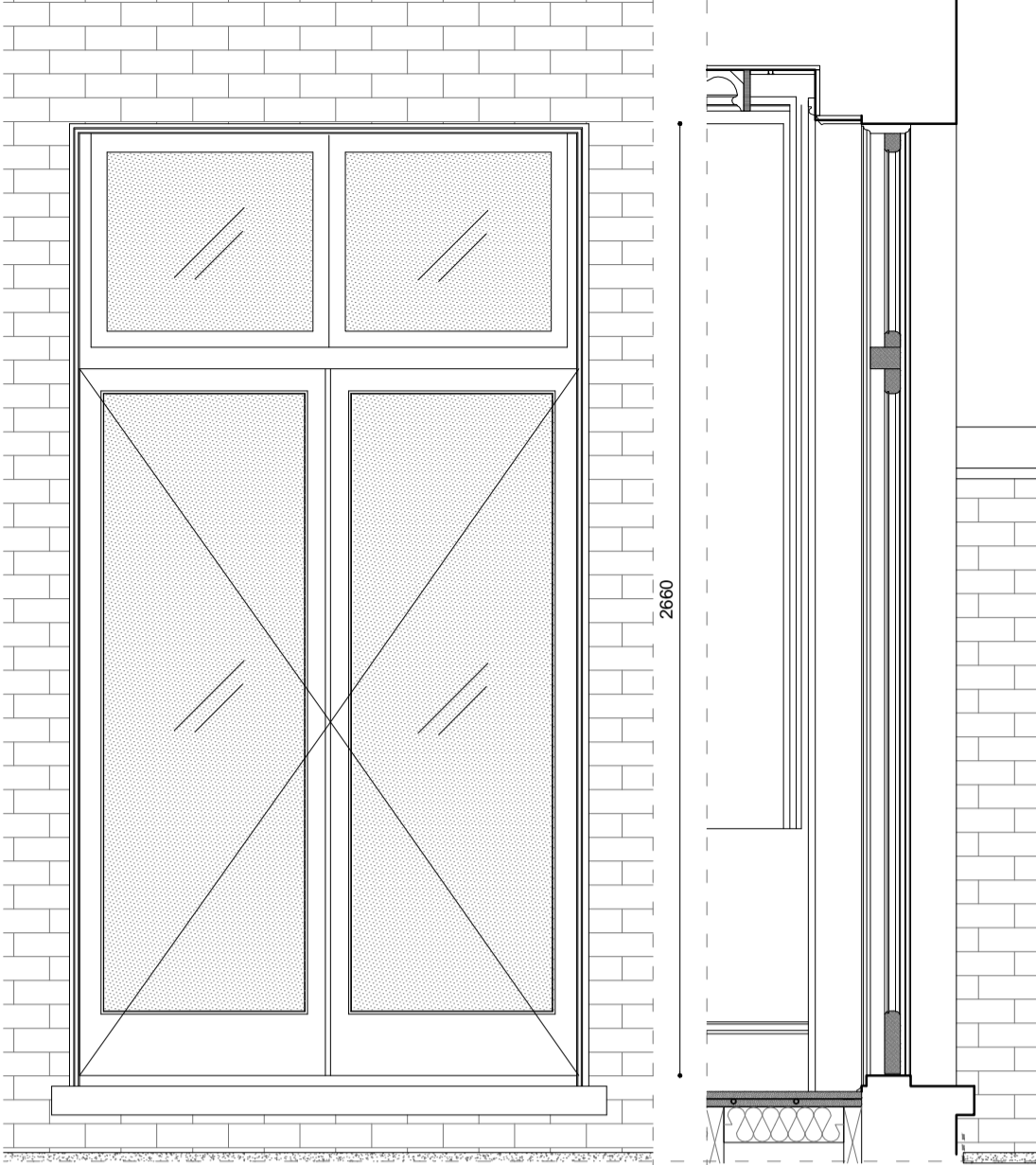


DETAIL 02 - HORIZONTAL SECTION



EX EWD-02

SCALE 1:20

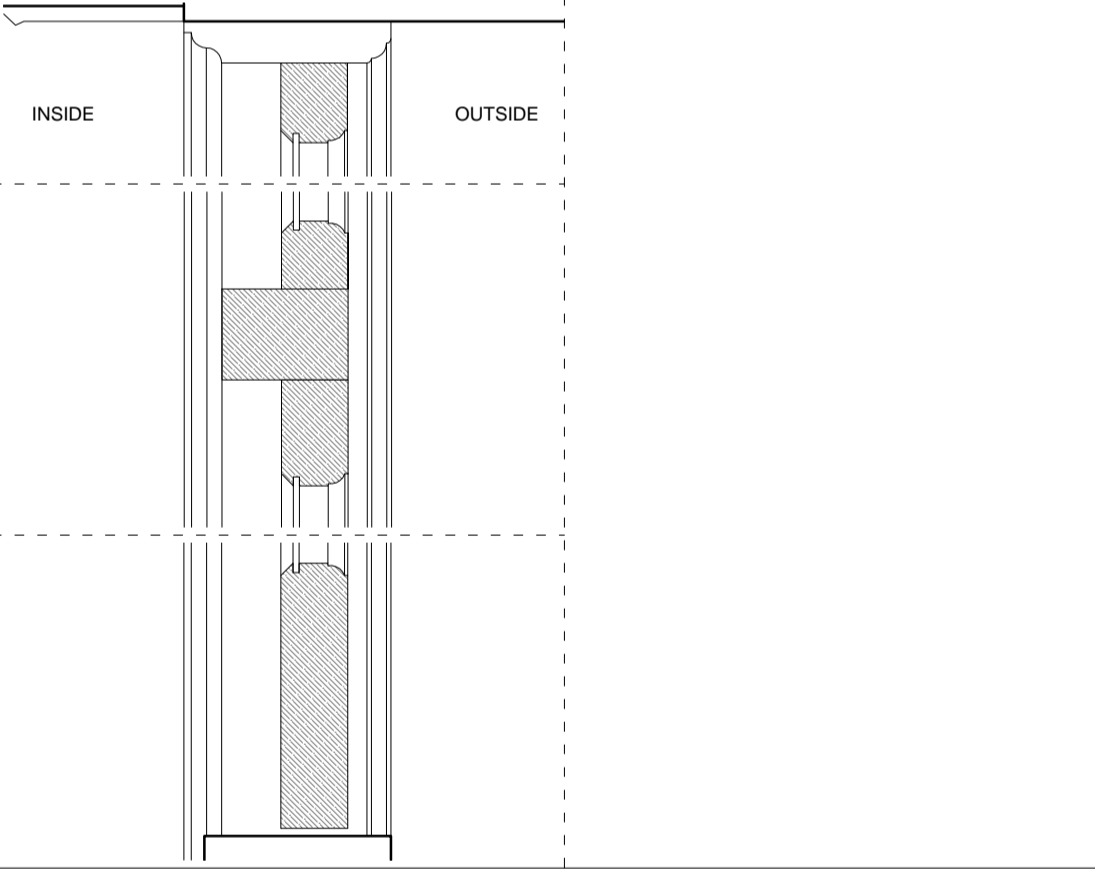


DESCRIPTION

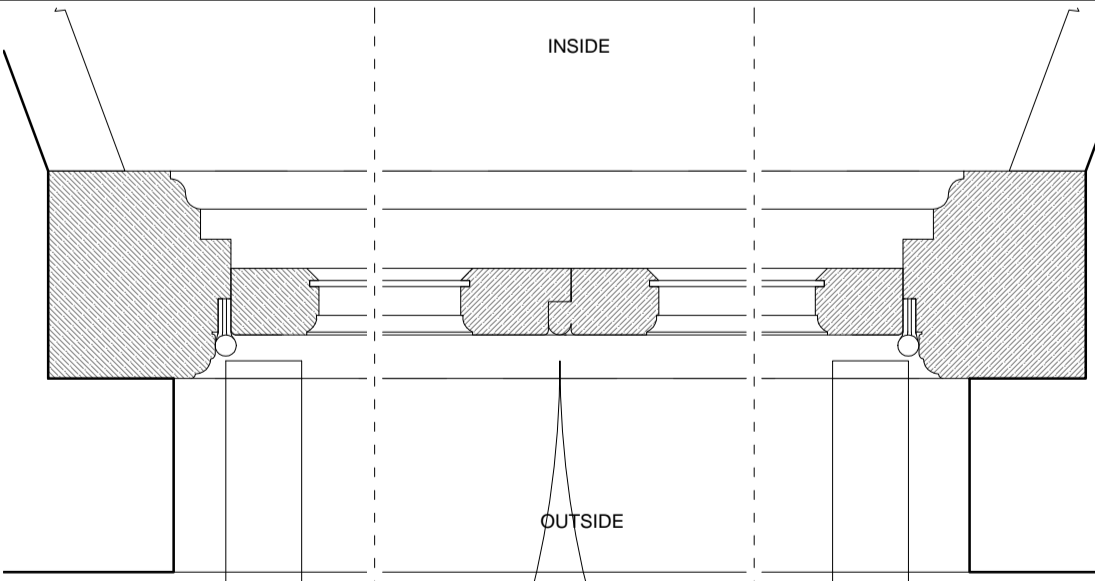
- 1- GLASS: SINGLE GLAZED UNIT
- 2- FRAME: SOLID TIMBER
- 3- FINISH: HAND PAINTED-EGG SHELL
- 4- HANDLES: TBS
- 5- U-VALUE: 1.6 W/m2k
- 6- SEALS: TBS

FRAME DETAILS SCALE 1:5

DETAIL 01 - VERTICAL SECTION

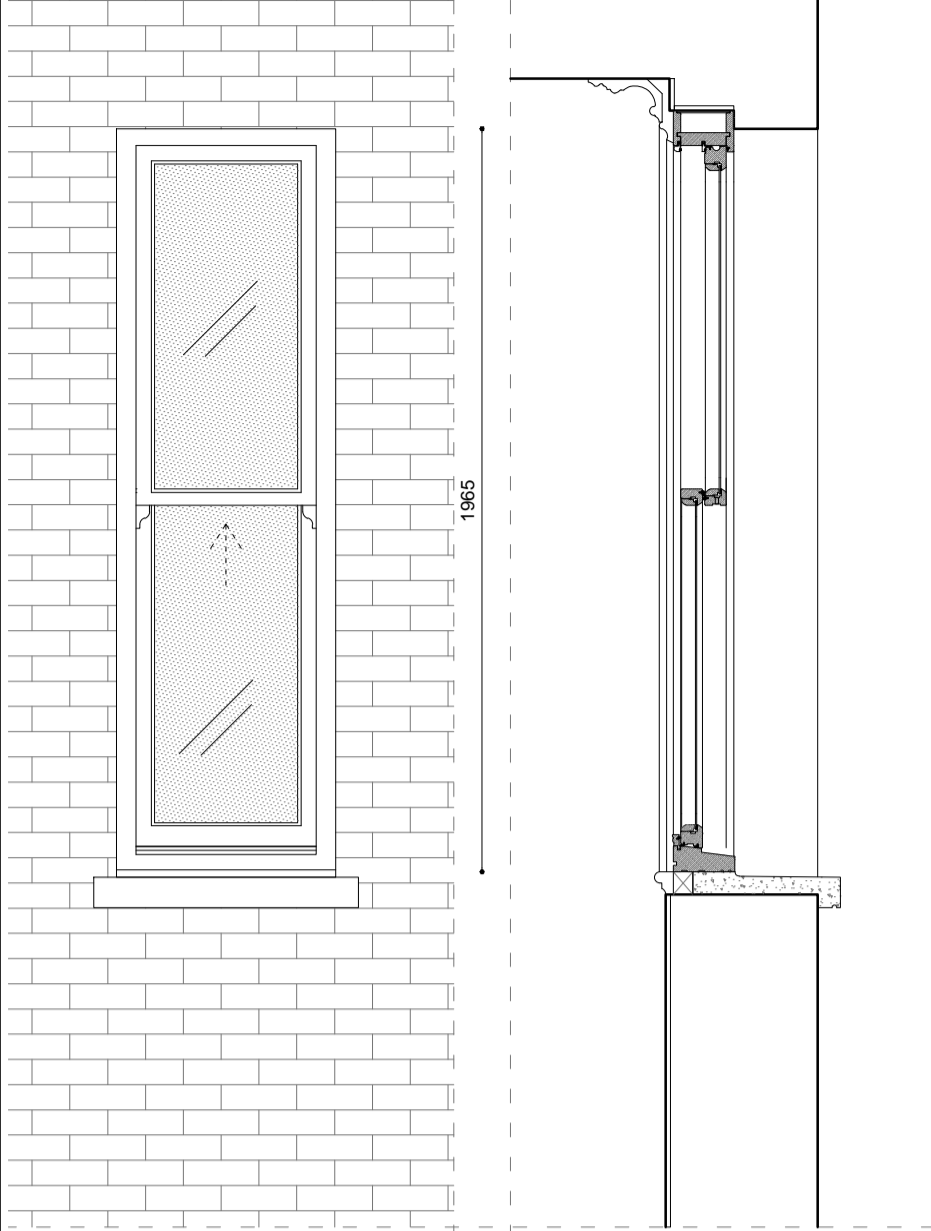


DETAIL 02 - HORIZONTAL SECTION



EX EWD-04-06

SCALE 1:20

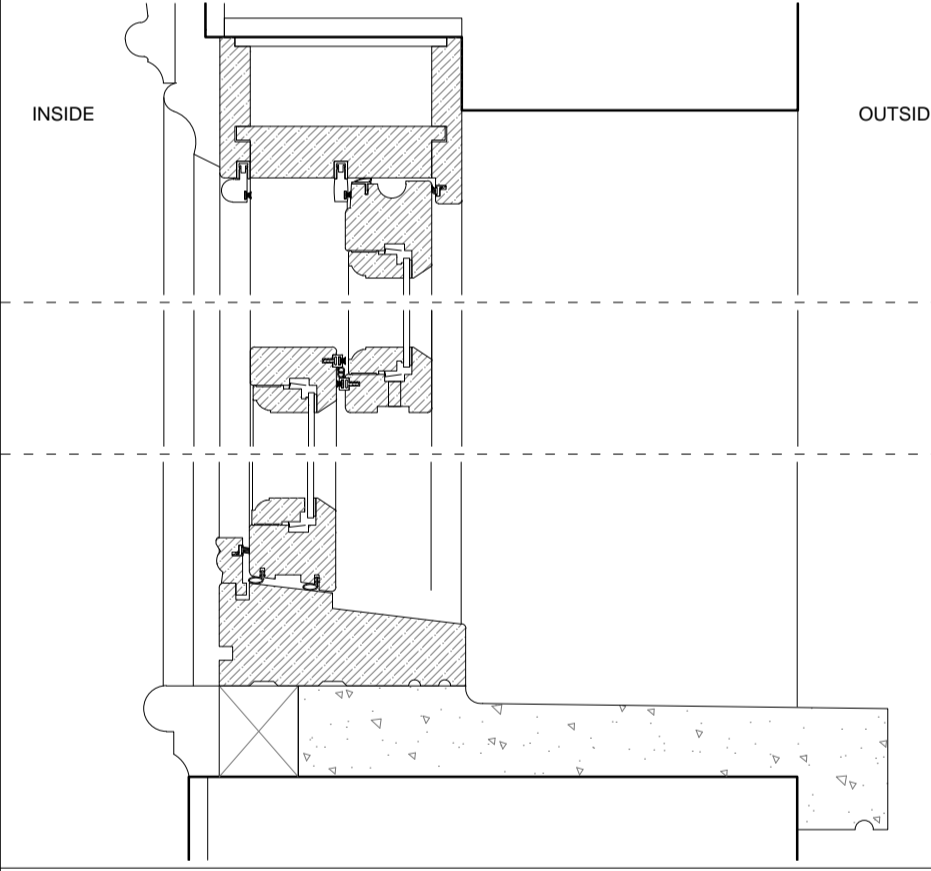


DESCRIPTION

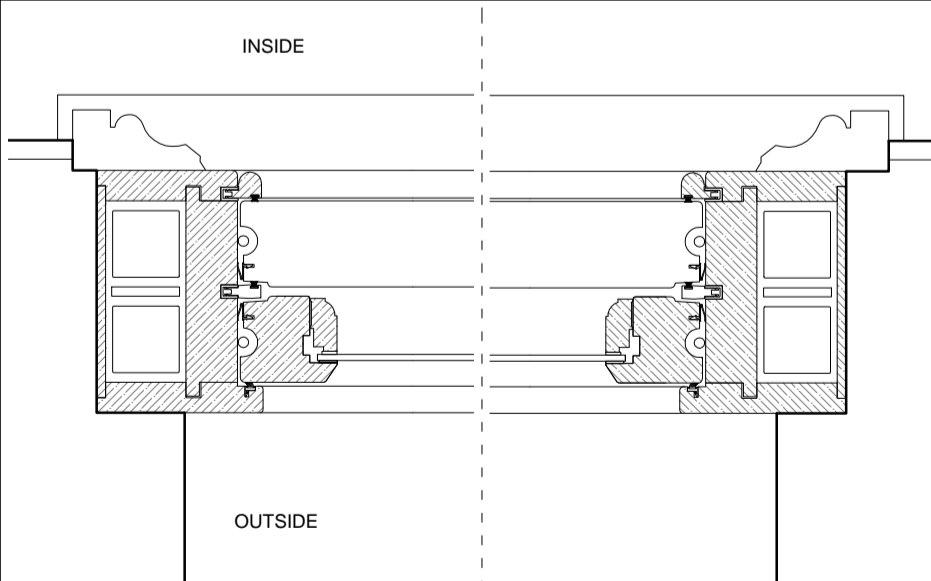
- 1- GLASS: SINGLE GLAZED UNIT
- 2- FRAME: SOLID TIMBER
- 3- FINISH: HAND PAINTED-EGG SHELL
- 4- HANDLES: TBS
- 5- U-VALUE: 1.6 W/m2k
- 6- SEALS: TBS

FRAME DETAILS SCALE 1:5

DETAIL 01 - VERTICAL SECTION

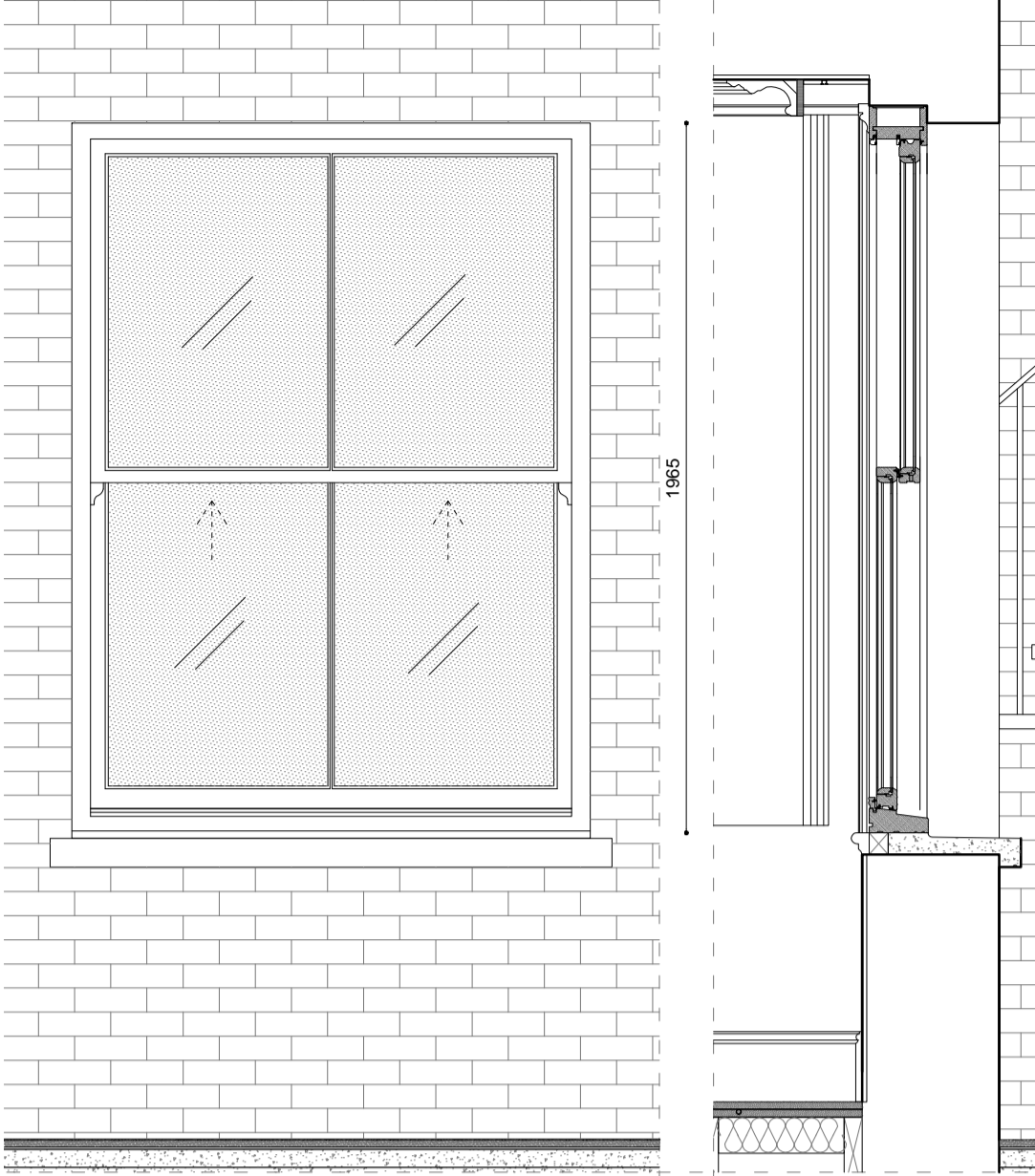


DETAIL 02 - HORIZONTAL SECTION



EX EWD-05

SCALE 1:20

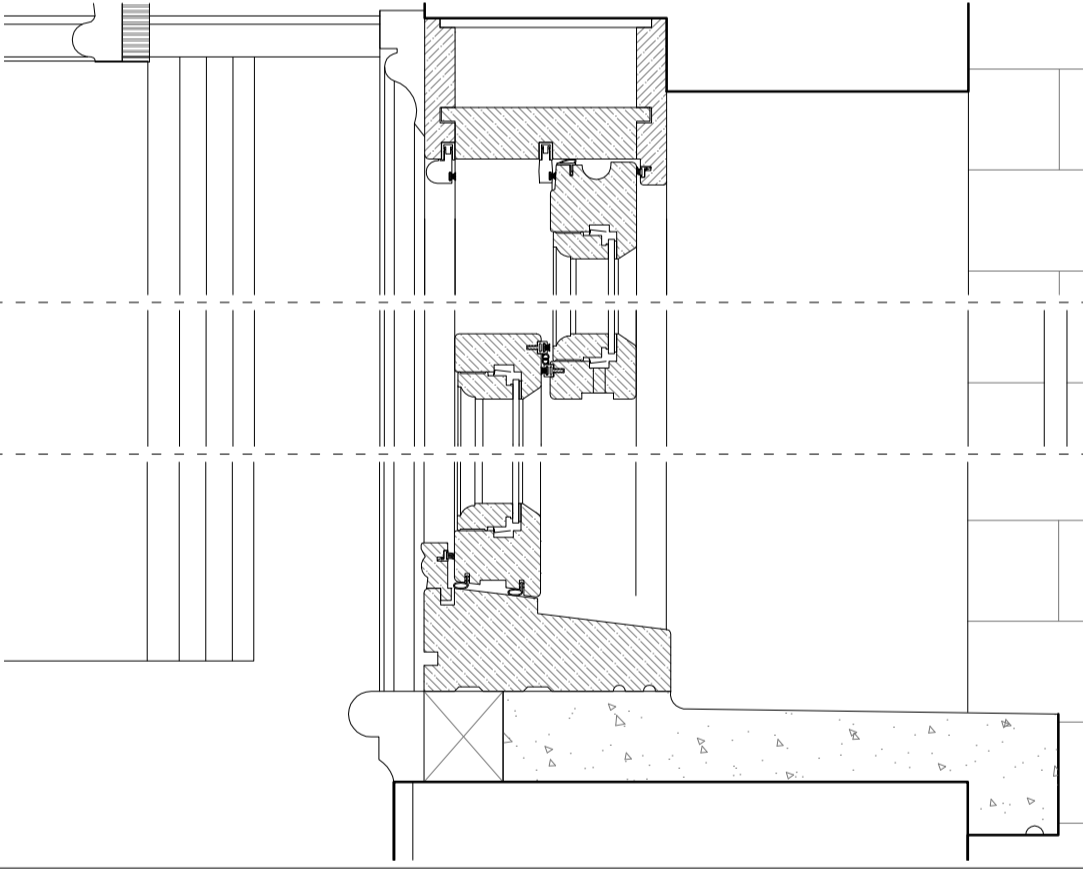


DESCRIPTION

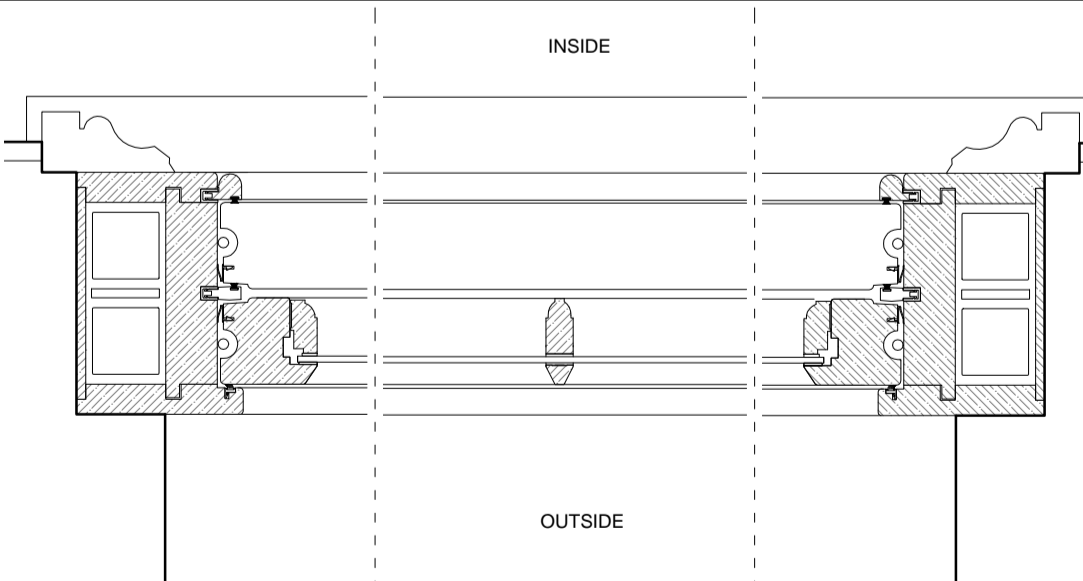
- 1- GLASS: SINGLE GLAZED UNIT
- 2- FRAME: SOLID TIMBER
- 3- FINISH: HAND PAINTED-EGG SHELL
- 4- HANDLES: TBS
- 5- U-VALUE: 1.6 W/m2k
- 6- SEALS: TBS

FRAME DETAILS SCALE 1:5

DETAIL 01 - VERTICAL SECTION



DETAIL 02 - HORIZONTAL SECTION



LBMV architects

Lug Morinuzzo Ltd
27 Essex Mews, NW3 4JH, London
T+44 (0) 207 483 3880
lvm@lvmarchitects.com
www.lvmarchitects.com

STAGE B

PROJECT TITLE
SIDE EXTENSION
REAR EXTENSION
INTERNAL ALTERATIONS

05 Lyndhurst Gardens
NW3 5NR

A1

DRAWN
MC, UG

JOB NO
0050

CHECKED
LM

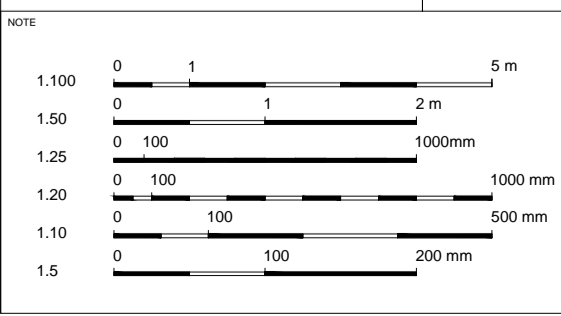
DATE
02.08.2016

DRAWING NO
A7001

GENERAL NOTE

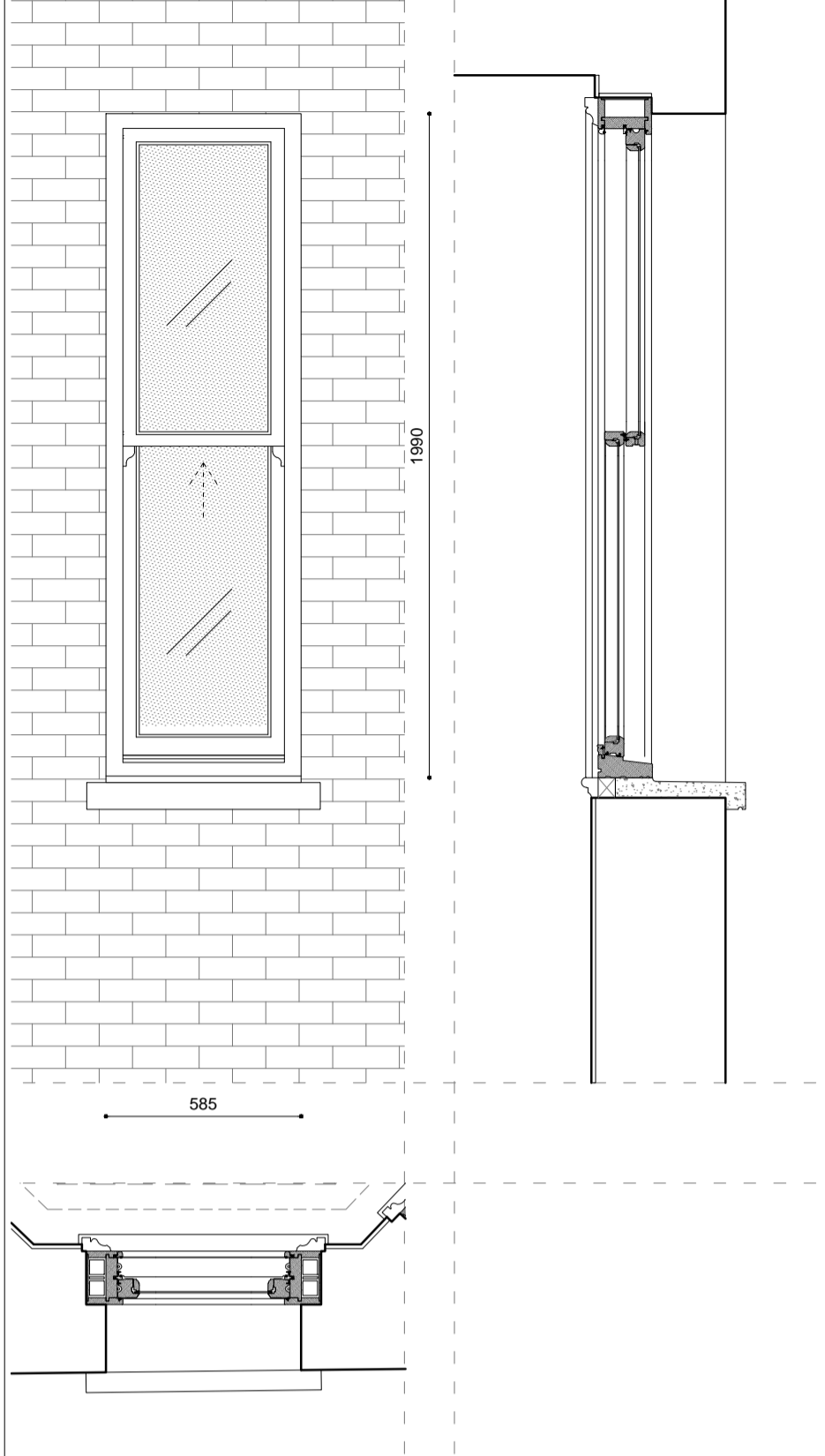
1. This drawing should be removed from currency immediately when a revised version is issued.
2. All dimensions to be checked on site by the contractor. Discrepancies to be reported before proceeding with the works.
3. This drawing is copyrighted.
4. All dimensions in mm's.
5. All structural elements size and position to be verified from structural engineer drawings.
6. All services to be designed by contractor.
7. All skylights to be cleaned by specialist company.

REV	DESCRIPTION	DATE	NAME
04		04/01/2017	100
05		07/12/2016	000
01		02/12/2016	000



EX EWD-07-09

SCALE 1:20

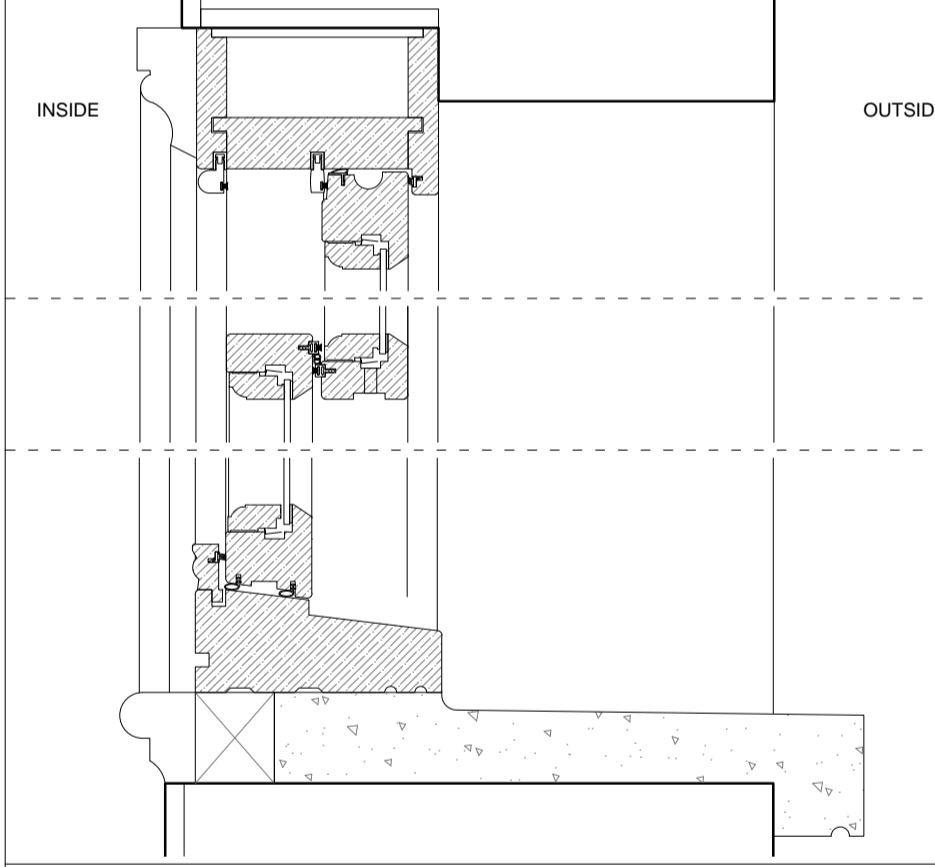


DESCRIPTION

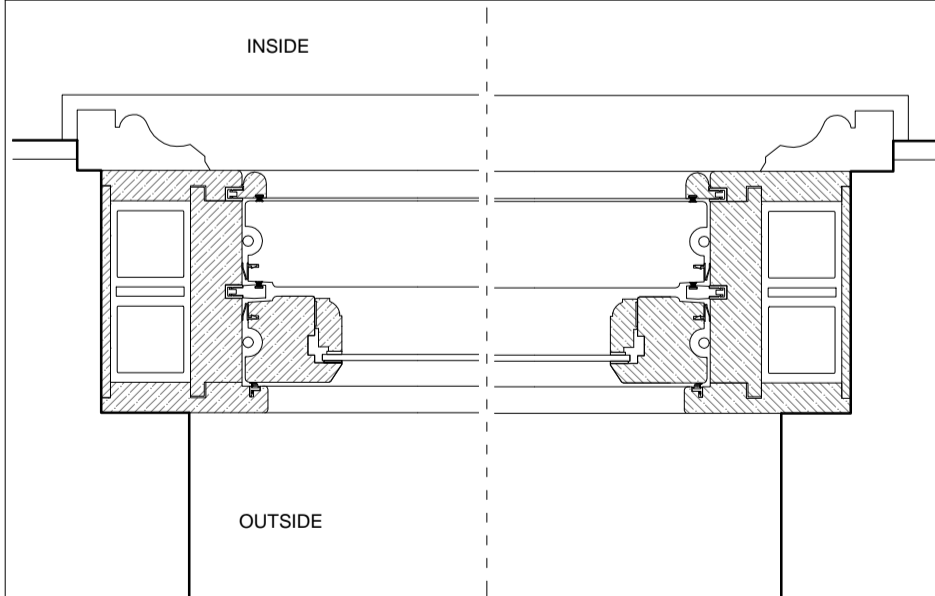
- 1- GLASS: SINGLE GLAZED UNIT
- 2- FRAME: SOLID TIMBER
- 3- FINISH: HAND PAINTED-EGG SHELL
- 4- HANDLES: TBS
- 5- U-VALUE: 1.6 W/m²K
- 6- SEALS: TBS

FRAME DETAILS SCALE 1:5

DETAIL 01 - VERTICAL SECTION

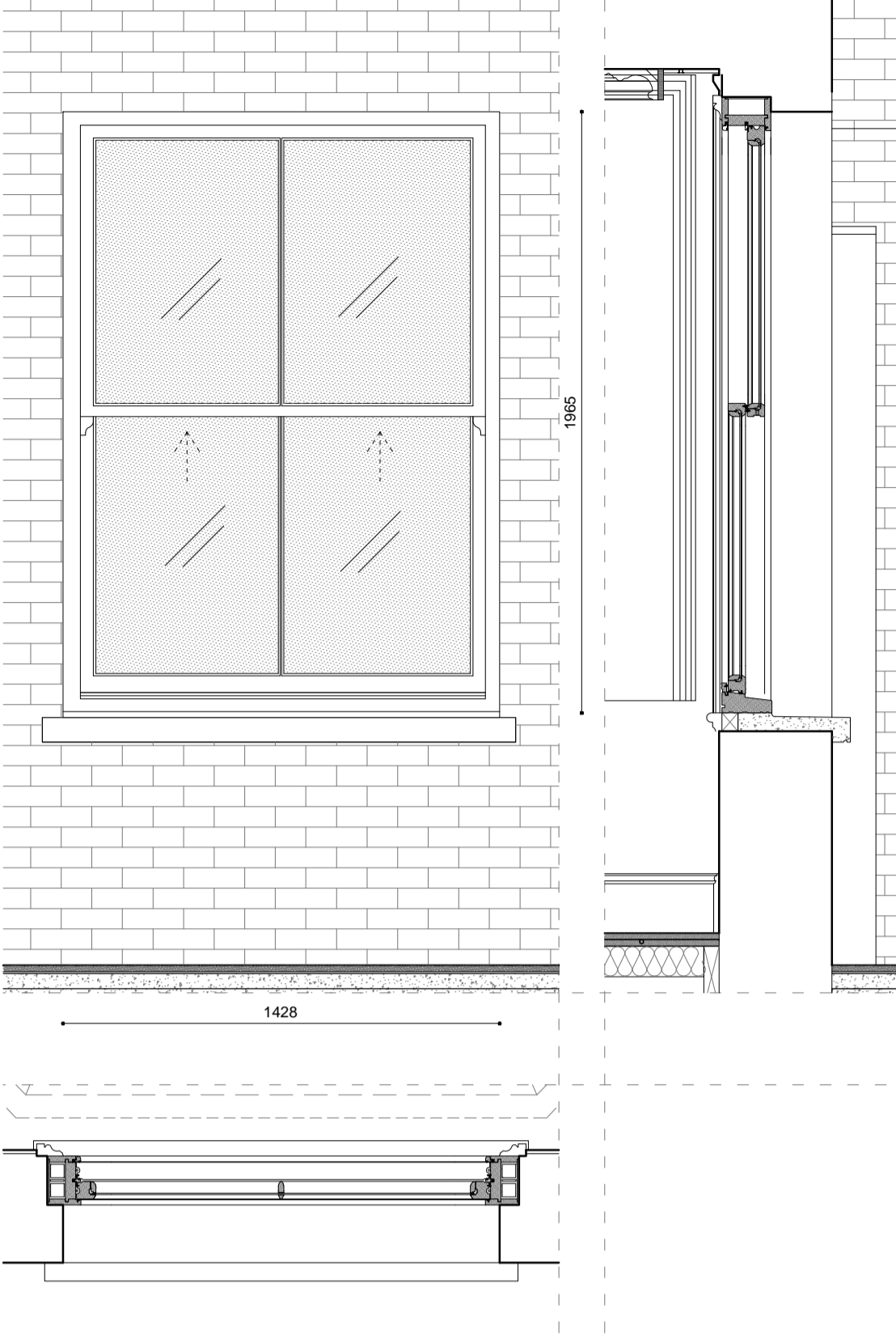


DETAIL 02 - HORIZONTAL SECTION



EX EWD-08

SCALE 1:20

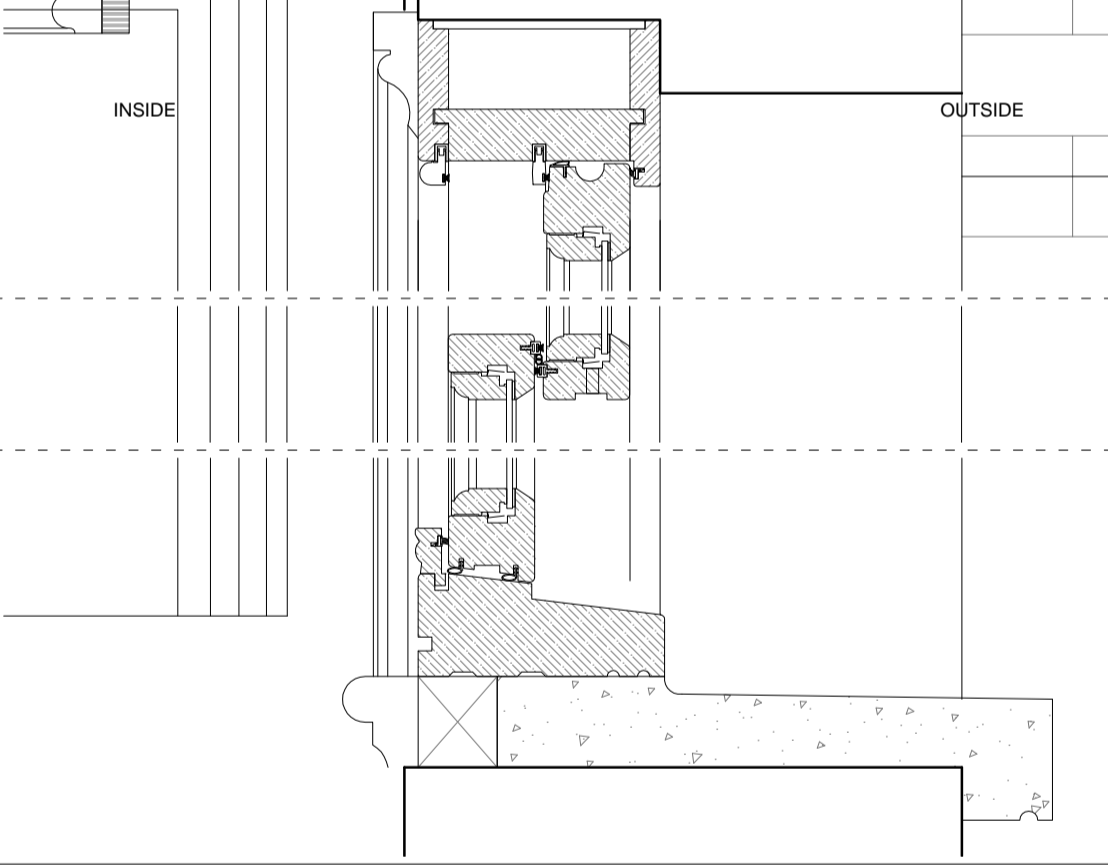


DESCRIPTION

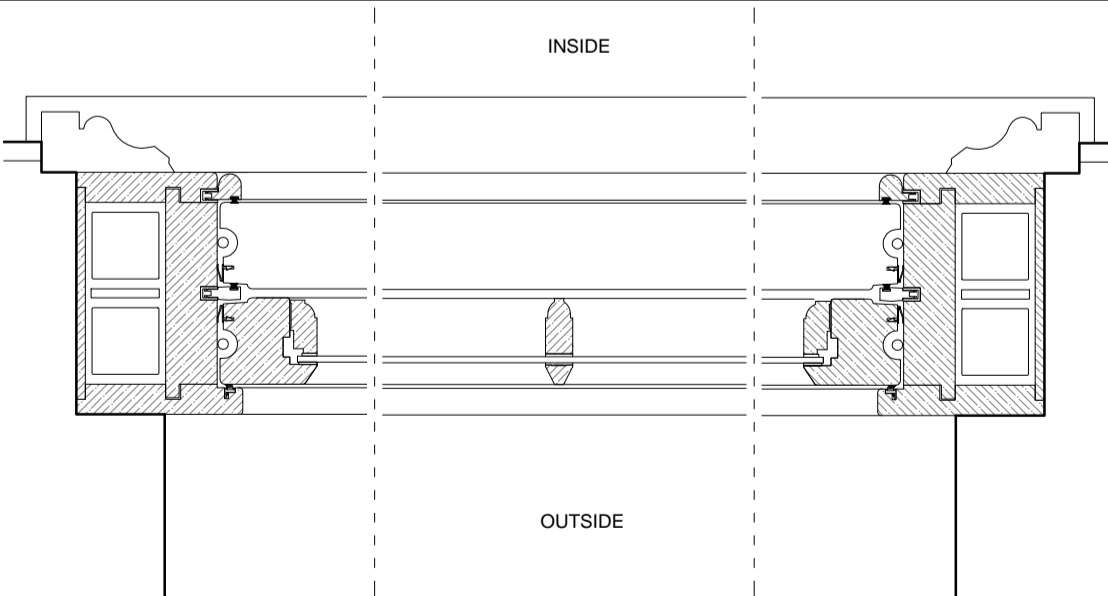
- 1- GLASS: SINGLE GLAZED UNIT
- 2- FRAME: SOLID TIMBER
- 3- FINISH: HAND PAINTED-EGG SHELL
- 4- HANDLES: TBS
- 5- U-VALUE: 1.6 W/m²K
- 6- SEALS: TBS

FRAME DETAILS SCALE 1:5

DETAIL 01 - VERTICAL SECTION



DETAIL 02 - HORIZONTAL SECTION

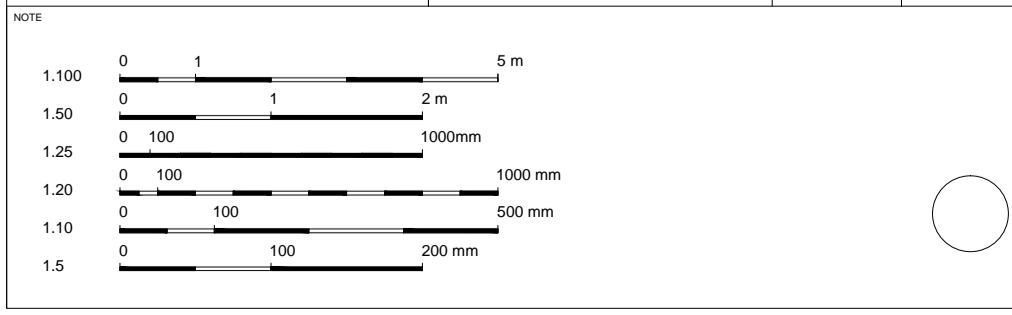


LBMV architects

Lug Morrellsco Ltd.
27 Essex Street, NW1 4UH, London
T+44 (0) 207 483 3880
lvm@lvmarchitects.com
www.lvmarchitects.com

STAGE B
PROJECT TITLE
**SIDE EXTENSION
REAR EXTENSION
INTERNAL ALTERATIONS**
JOB NO
0050
DRAWING NO
A7002

DATE
02.08.2016
SCALE
1:20@A1
DRAWN
MC, UG
CHECKED
LM
GENERAL NOTE
1. This drawing should be removed from currency immediately when a revised version is issued.
2. All dimensions to be checked on site by the contractor. Discrepancies to be reported before proceeding with the work.
3. This drawing is copyrighted.
4. All dimensions in mm's.
5. All structural elements size and position to be verified from structural engineer drawings.
6. All services to be designed by contractor.
7. All skylights to be cleaned by specialist company.



REV	DESCRIPTION	DATE	NAME
01		04/01/2017	000
02		07/12/2016	000
03		02/12/2016	000