

HE30

GASCO.AL91 CO2 2MSD EC M2 SV HL2MSD-QXACA

Design data

| | |
|-----------------|----------|
| Fluid | R744 |
| Capacity | 73,50 kW |
| Ambient | 36 °C |
| CO2 Inlet temp | 115 °C |
| CO2 Outlet temp | 38 °C |
| CO2 Pressure | 97 bar |
| Altitude | 0 m |
| Fin treatment | VINYL |

Fan data

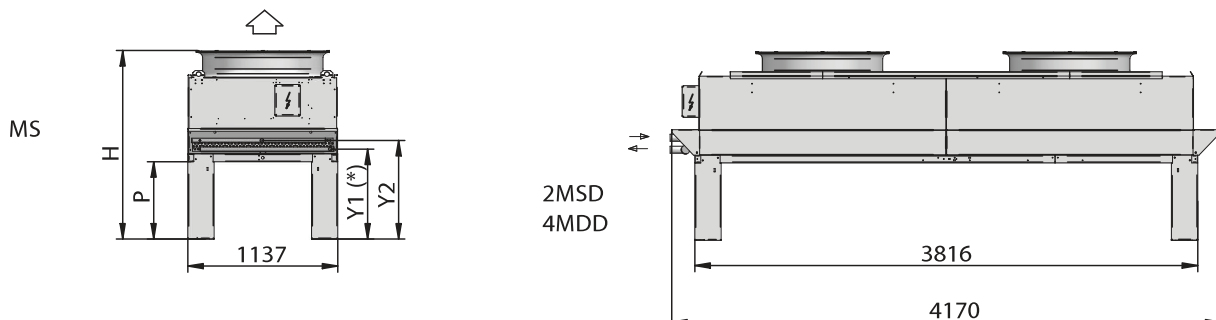
| | |
|-----------------------------------|-------------|
| Air flow | 4,60 m3/s |
| No. of fans | 2 |
| Rotation speed | 330 r/mn |
| Power input at design condition | 200 W |
| Max power at 100% fan speed | 1 200 W |
| Voltage | 400V-3-50Hz |
| Current input at design condition | 0,60 A |
| Max current at 100% fan speed | 2,40 A |
| Sound pressure | 25 dBA |
| Distance | 10 m |

Technical specification

| | |
|-----------------|---------|
| Fin spacing | 2,12 mm |
| Surface | 320 m2 |
| Internal volume | 41 dm3 |
| Pipe inlet | 33,7 mm |
| Pipe outlet | 33,7 mm |
| Design pressure | 120 bar |
| PED Cat | 1 |

Dimensions

| | |
|--------------------------------|-------------------|
| Vertical dimension (LxWxH) | 4170x1137x1530 mm |
| Weight (net, not in operation) | 467 Kg |



Above data and drawing do not take selected options into account.