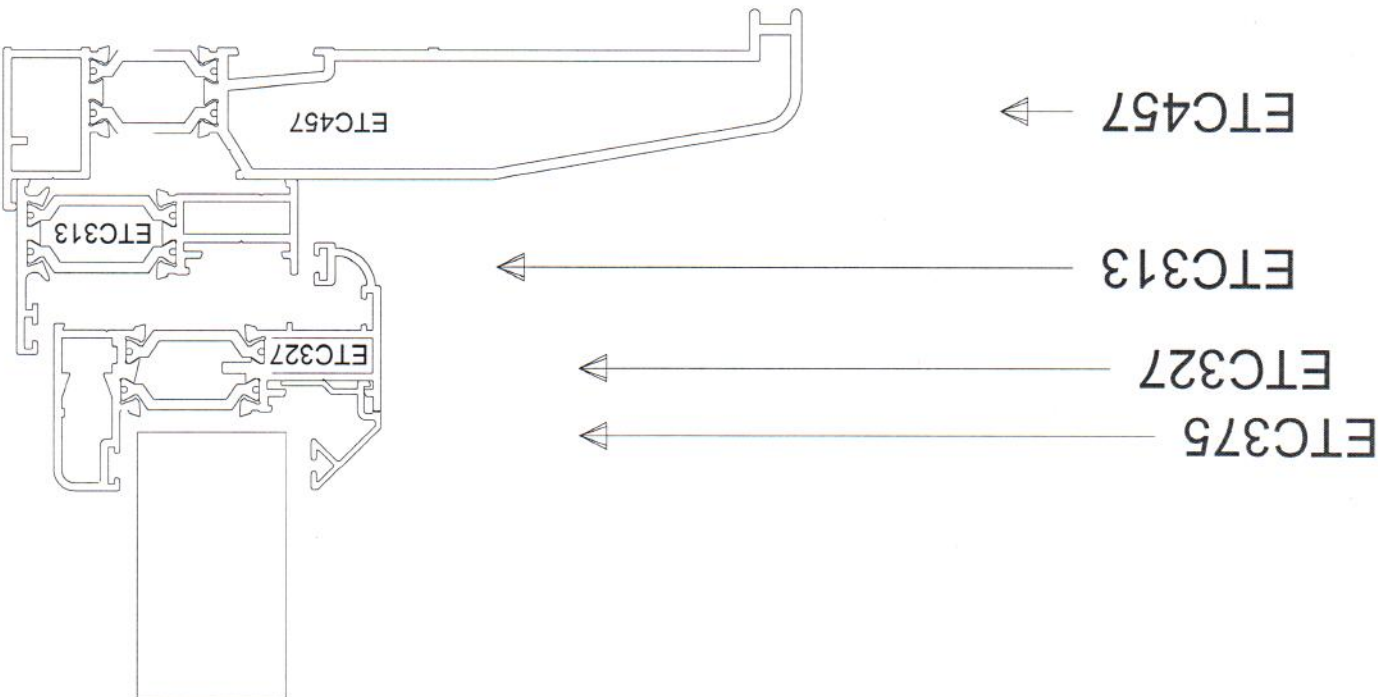
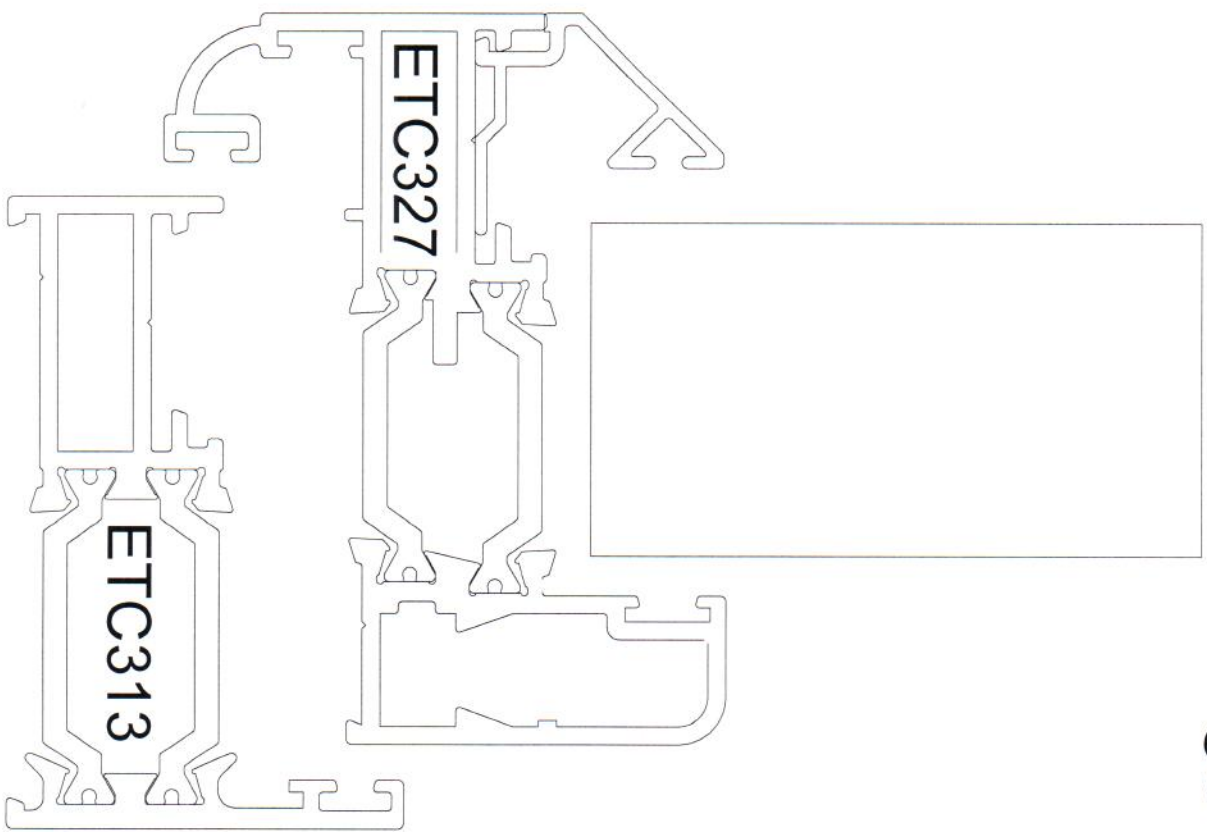


2-4 CRUSHED CONCRETE
 SMOOTH FINISH
 W/30' W/31'



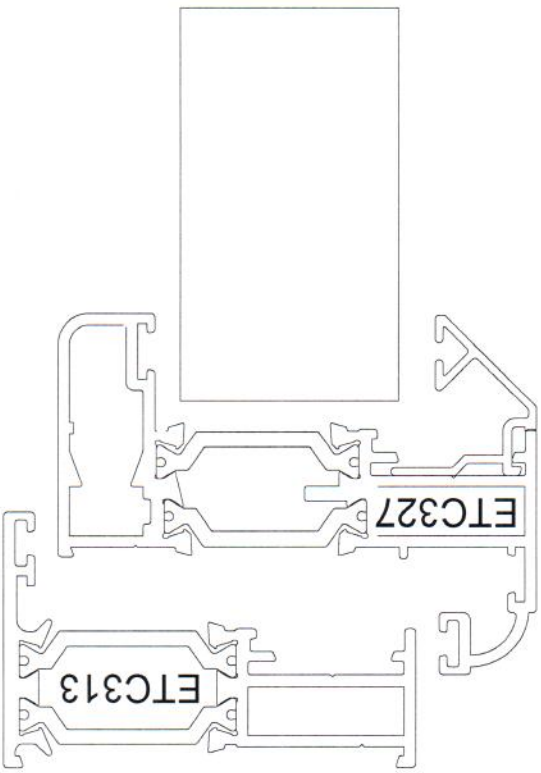
B

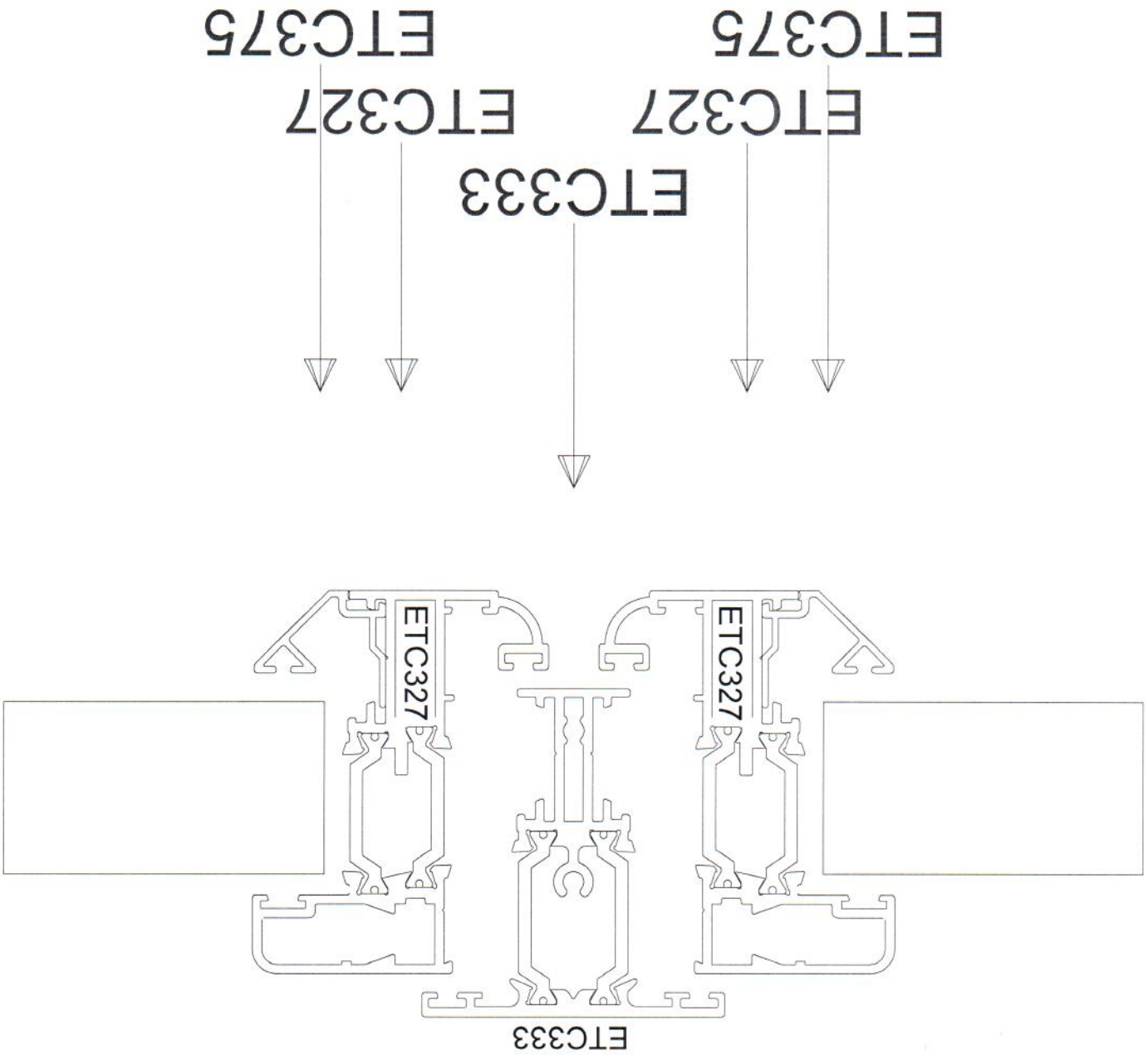


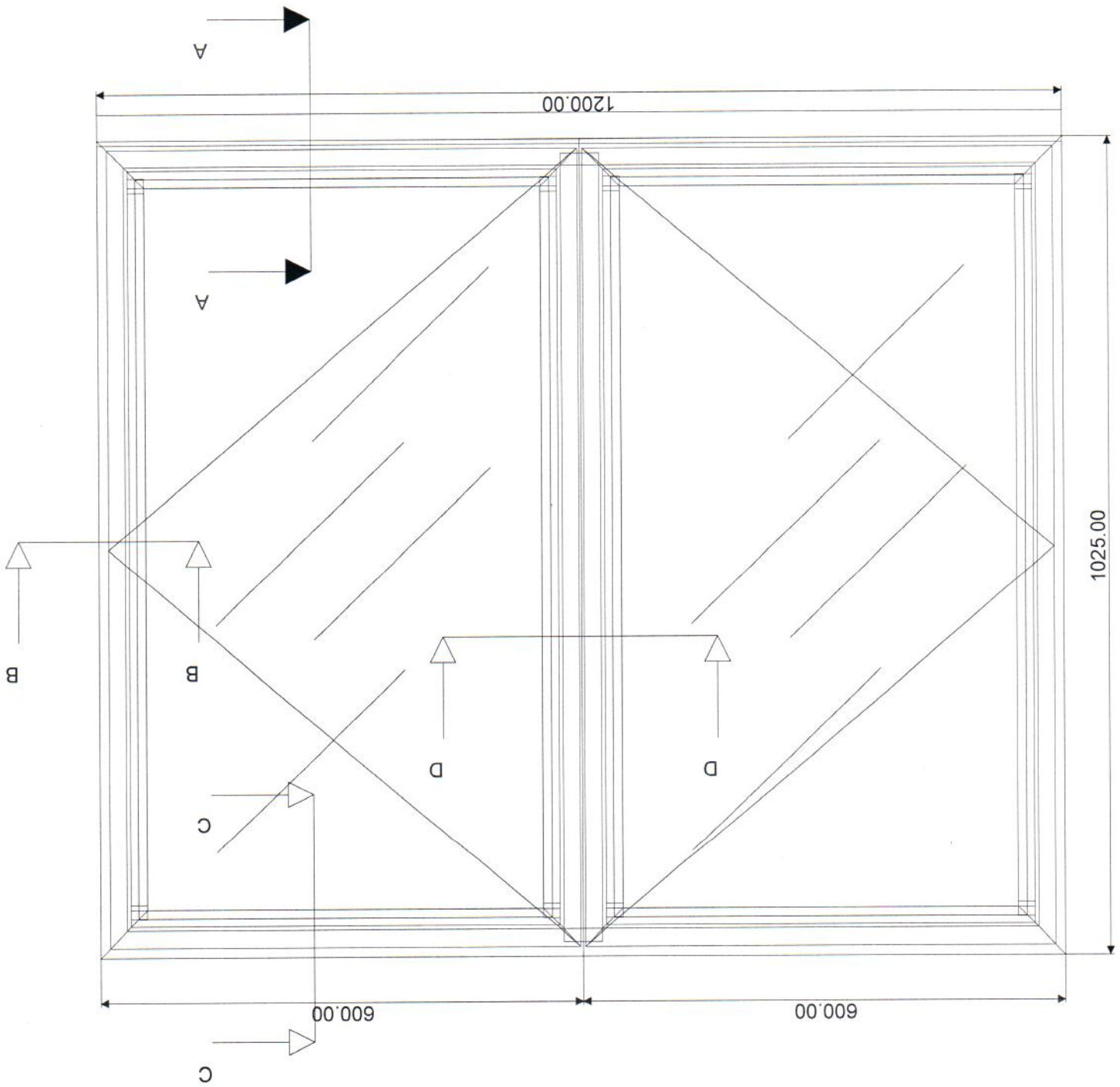
ETC375
ETC327
ETC313

Three arrows point downwards from the labels ETC375, ETC327, and ETC313. The arrows from ETC375 and ETC327 are positioned close together, while the arrow from ETC313 is further to the left.

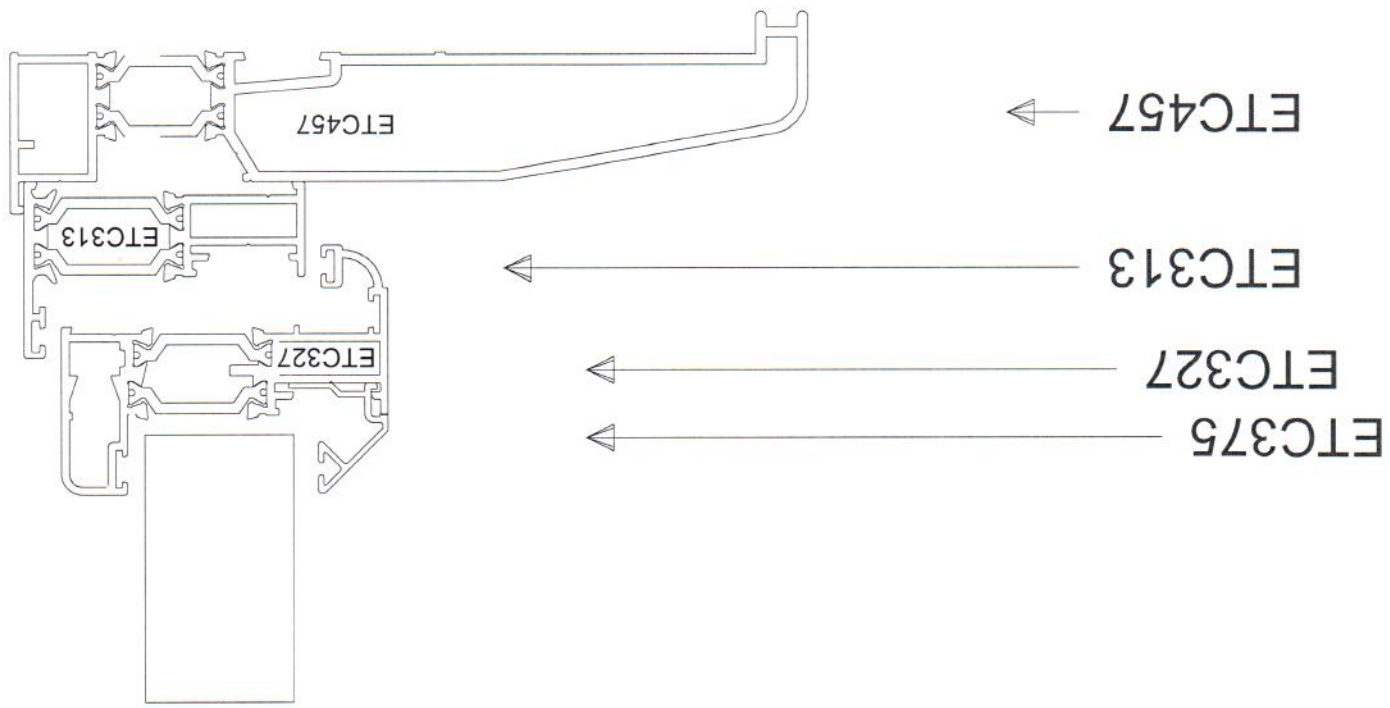
ETC313 ←
ETC327 ←
ETC375 ←



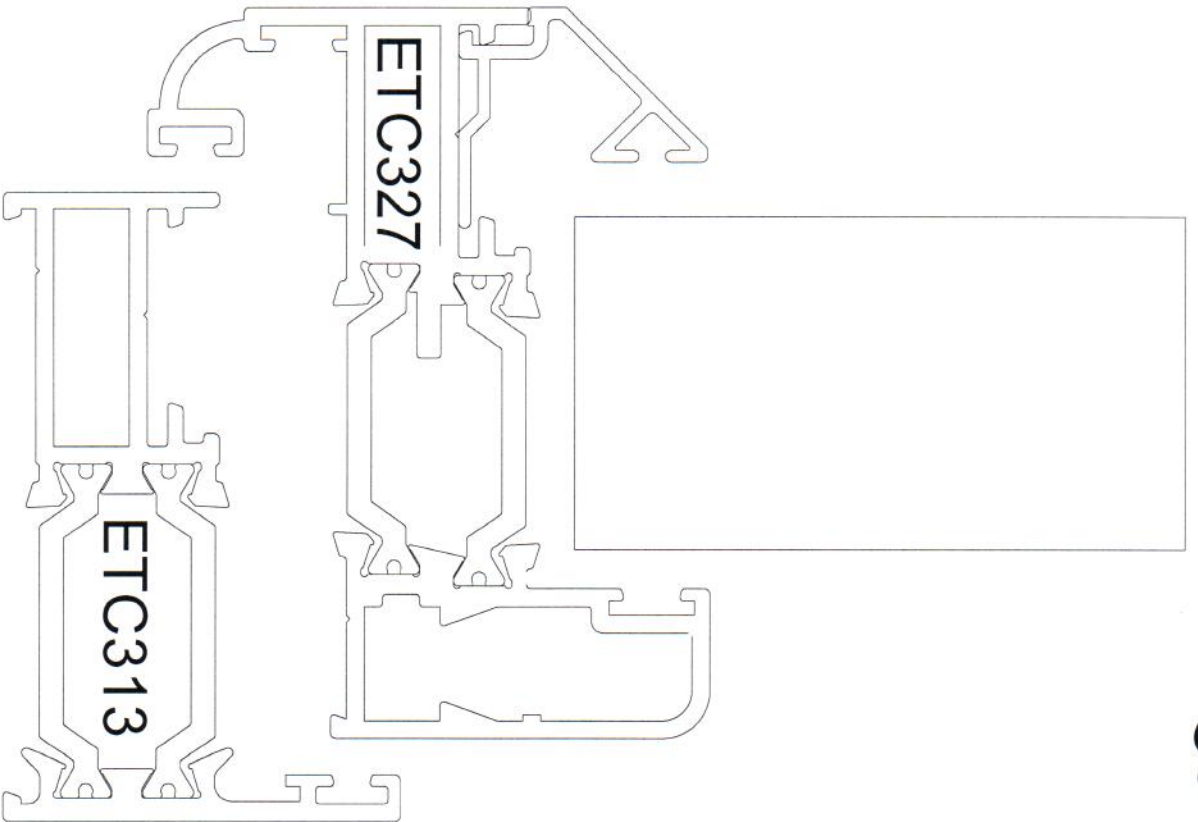




W139, W135, W120



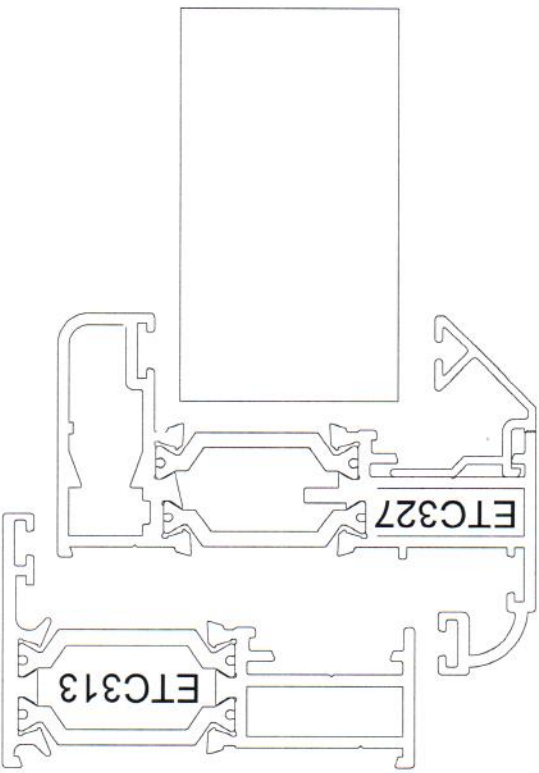
B

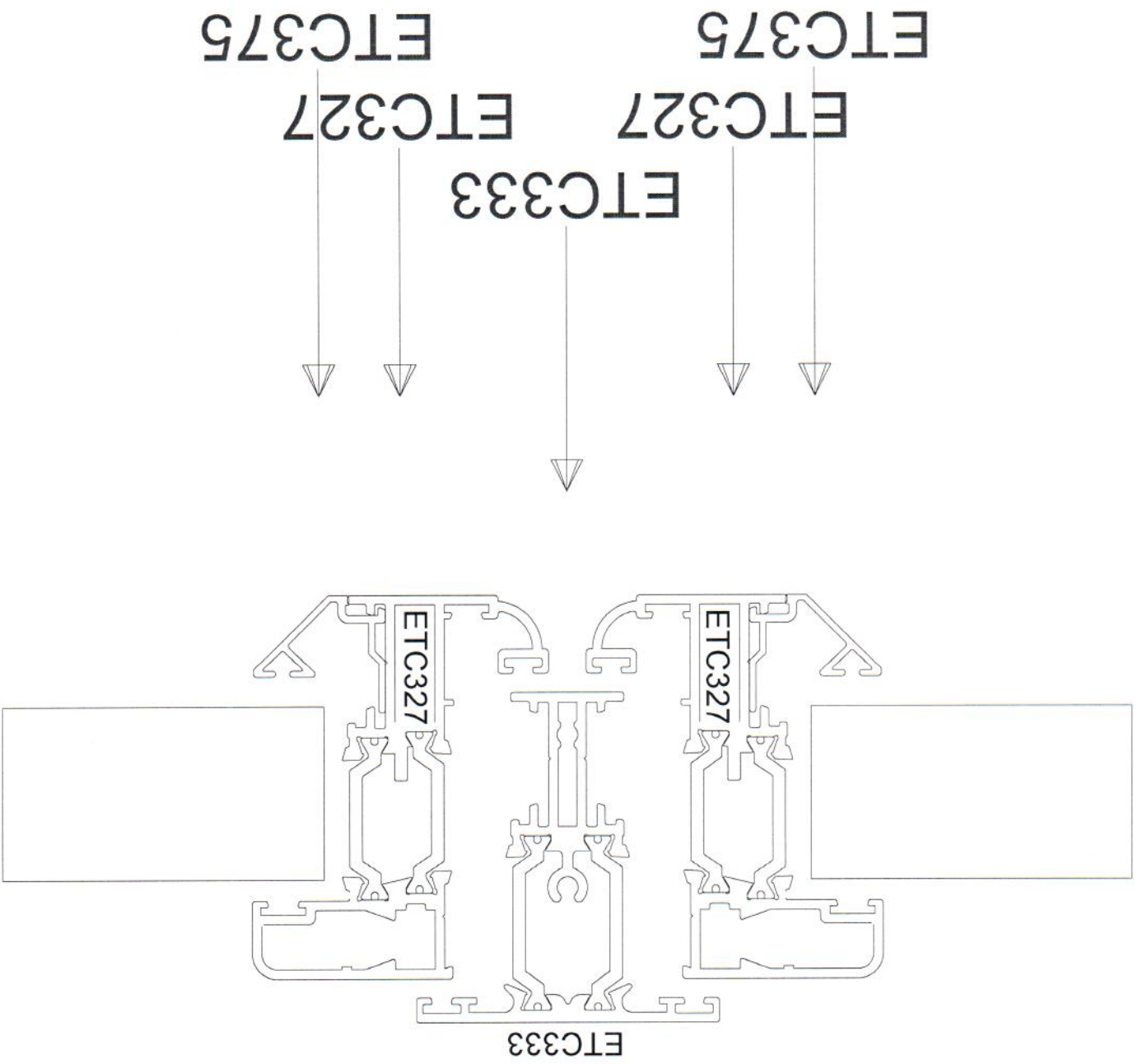


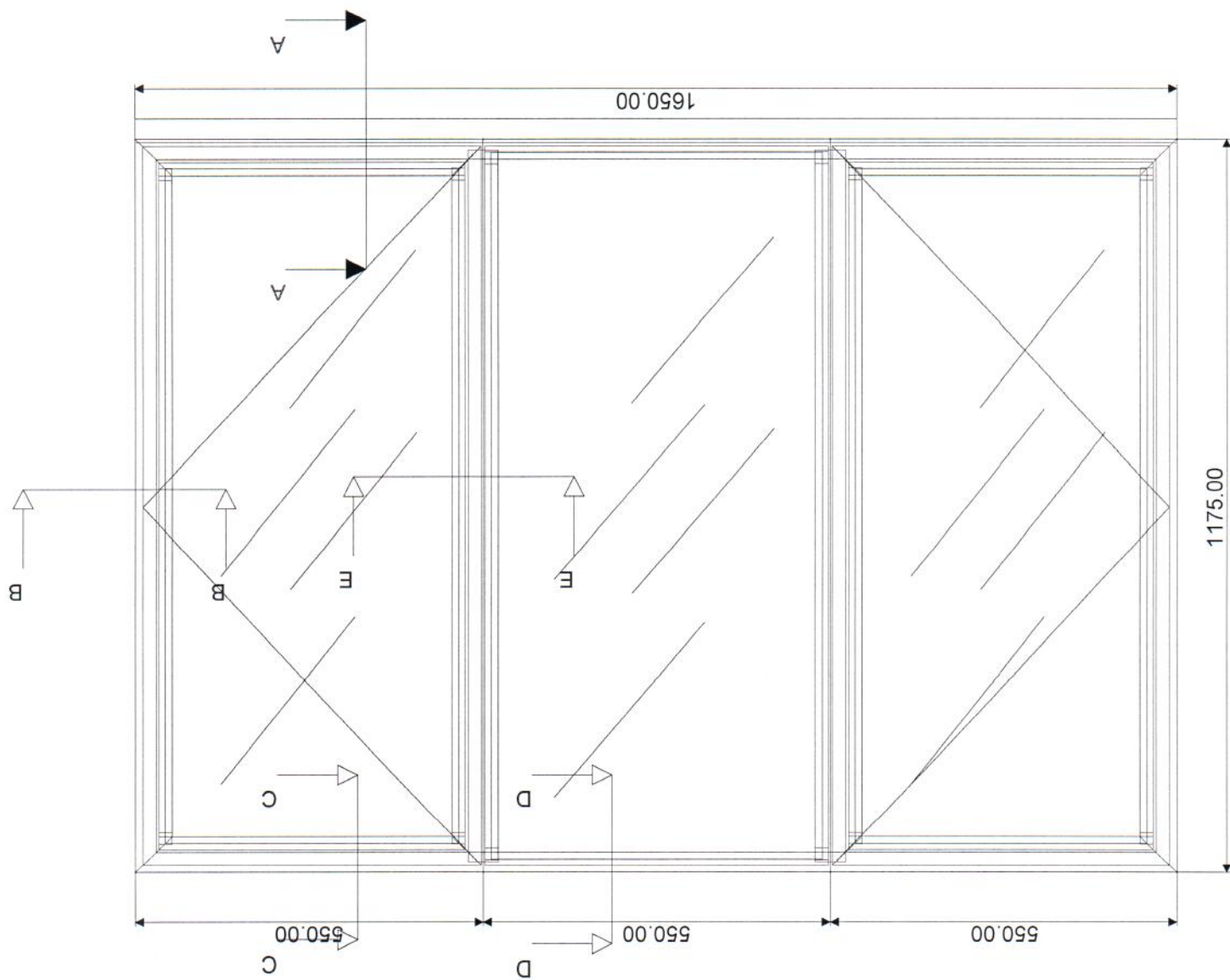
ETC375
ETC327
ETC313

Three arrows point downwards from the text labels **ETC375**, **ETC327**, and **ETC313** to the corresponding parts in the drawing below. The arrow from **ETC375** points to the top horizontal flange of the central component. The arrow from **ETC327** points to the central vertical component. The arrow from **ETC313** points to the smaller vertical component on the left.

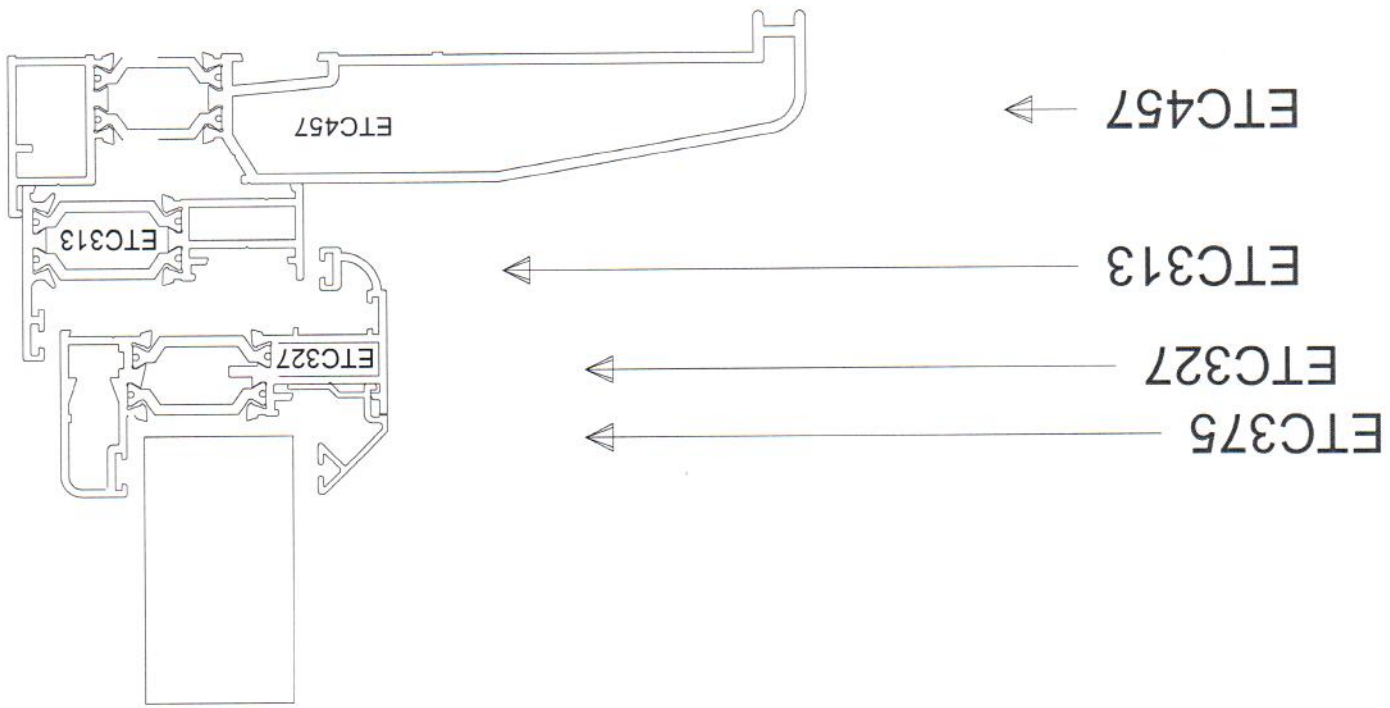
ETC313 ←
ETC327 ←
ETC375 ←



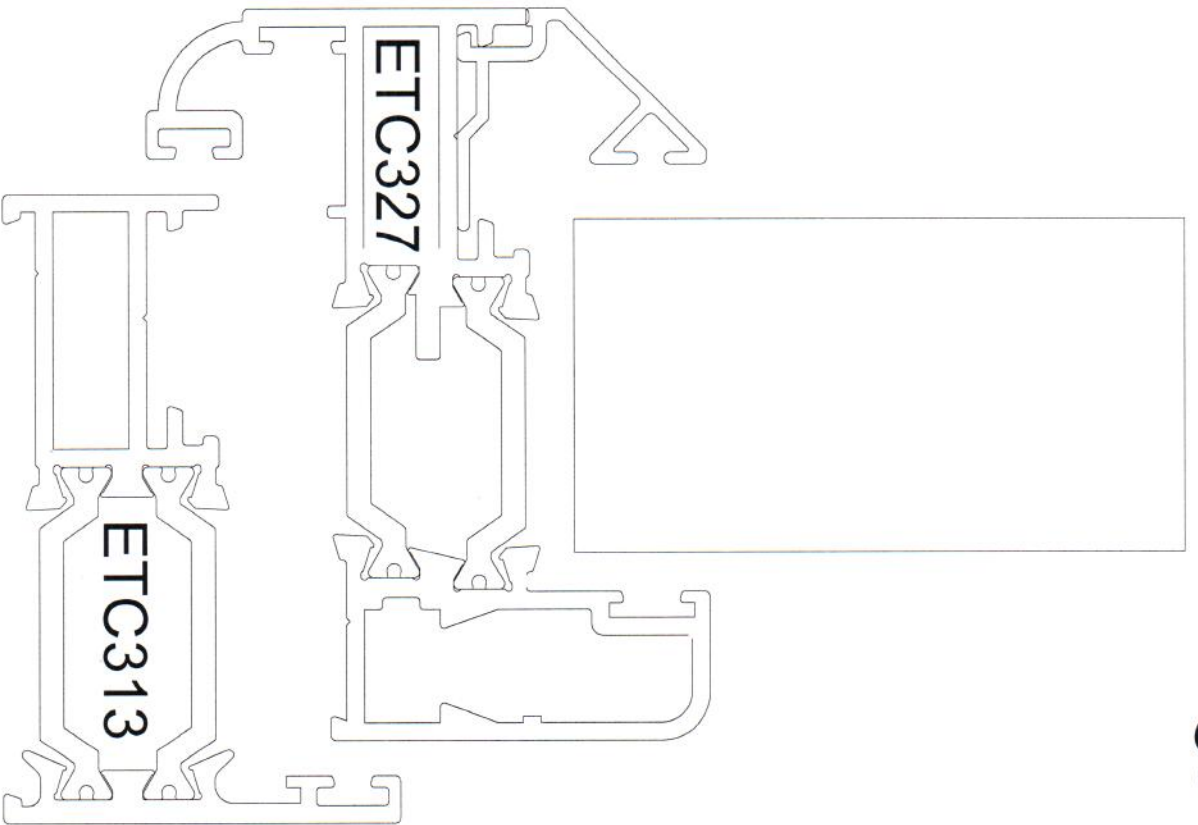




W142.



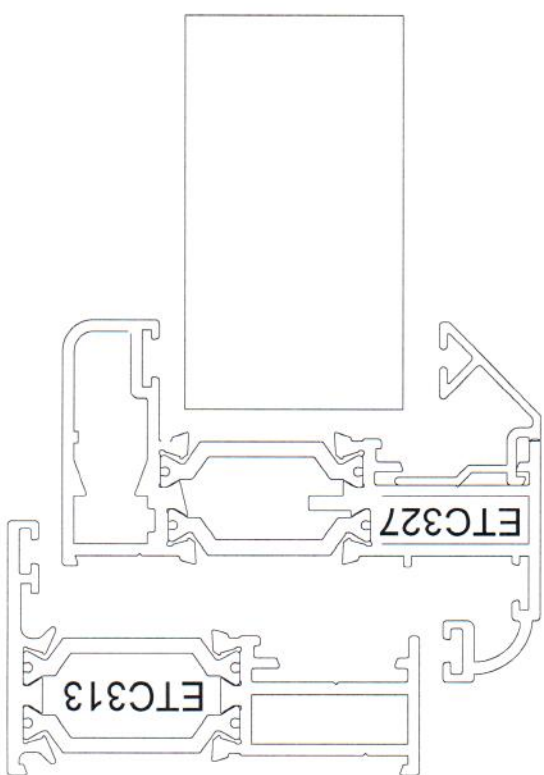
B



ETC375
ETC327
ETC313

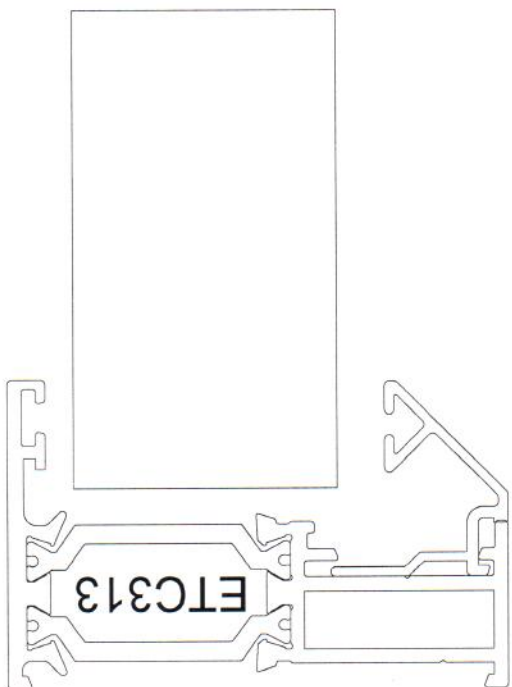
Three arrows point downwards from the text labels. The top arrow originates from **ETC375** and points to the top edge of the assembly. The middle arrow originates from **ETC327** and points to the central vertical component. The bottom arrow originates from **ETC313** and points to the lower component.

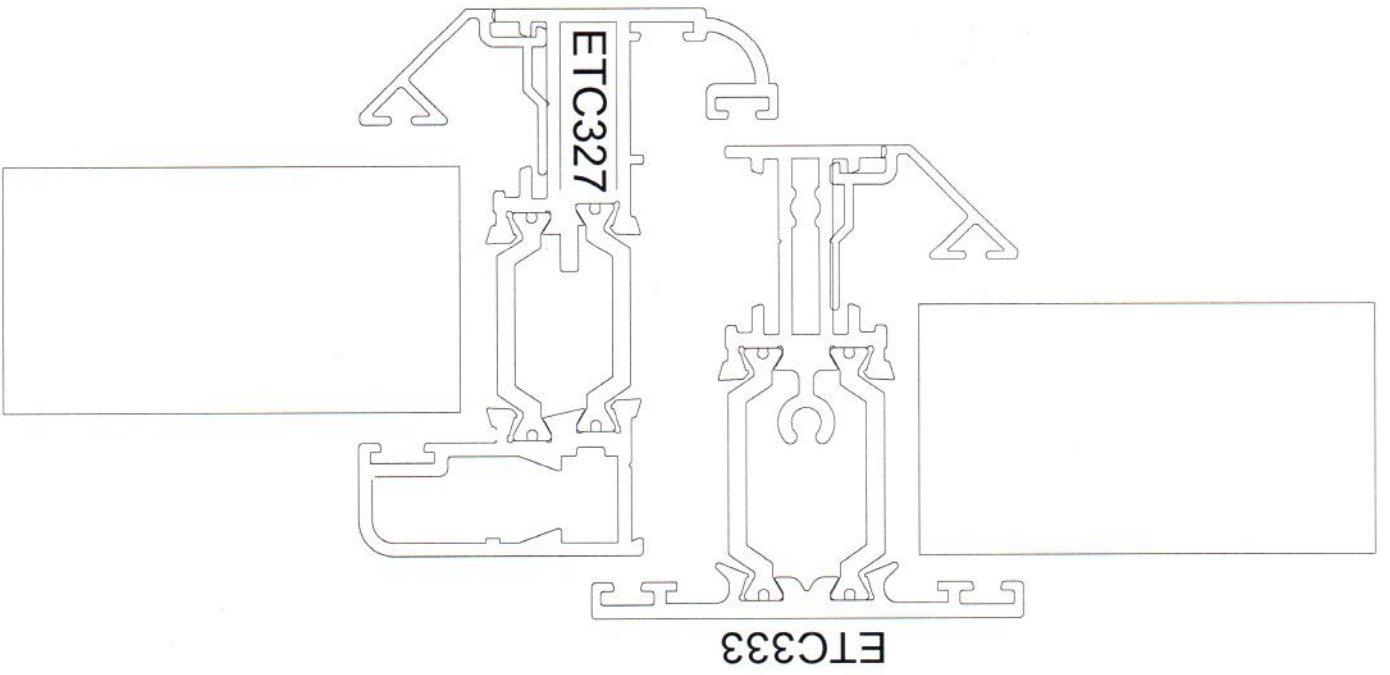
ETC375 ←
ETC327 ←
ETC313 ←



D

ETC313
ETC375





ETC333

ETC375

Two vertical arrows point downwards from the text ETC333 and ETC375 to the corresponding profiles in the diagram below.

ETC327

ETC375

Two vertical arrows point downwards from the text ETC327 and ETC375 to the corresponding profiles in the diagram below.